

Important - please read

Please read these instructions carefully before starting installation and keep for future reference.

Remove all packaging and check the product for missing parts or damage before starting installation.

Any alterations made to this product and fittings may infringe water regulations and will invalidate the guarantee.

The installation must comply with all Local/National Water Supply Authority Regulations/Byelaws and Building and Plumbing Regulations.

To be installed in accordance with BS EN806.

We strongly recommend that you use a qualified and registered plumber.

General installation

This fitting is a mixing device and therefore water supplies should be reasonably balanced.

When installed, the fitting must comply with the requirements of the Water Supply (Water Fittings) Regulations 1999 and Scottish Byelaws 2004.

For further information, contact the Water Regulations department of your local water supplier (see the WRAS website www.wras.co.uk for details) or the Water Regulations Advisory Scheme by email (info@wras.co.uk) or telephone: 01495848454.

Before making any inlet pipe connections, all supply pipes MUST be thoroughly flushed to remove debris. Failure to do so could result in damage or low flow from the mixer unit. Water Supply (Water Fittings) Regulations 1999 Schedule 2 Section 13.

The fitting of isolating valves to the inlet feeds is advised for ease of maintenance.

Please take great care when installing this mixer not to damage its surface.

Please note if installing in an enclosed environment, access should be left for servicing and maintenance. No costs relating to inadequate access can be accepted.

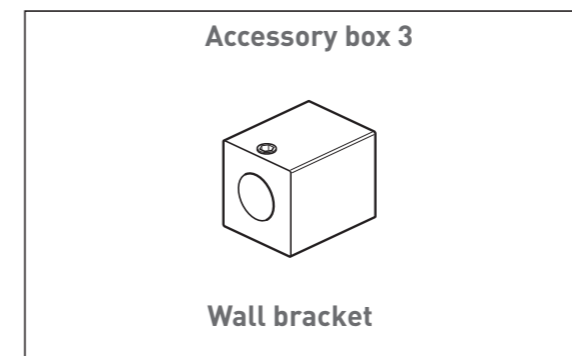
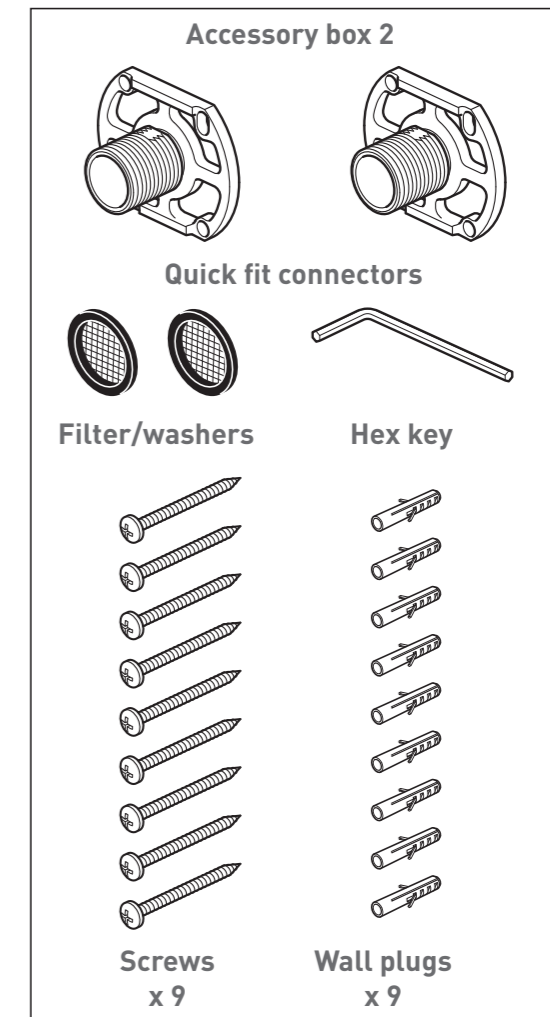
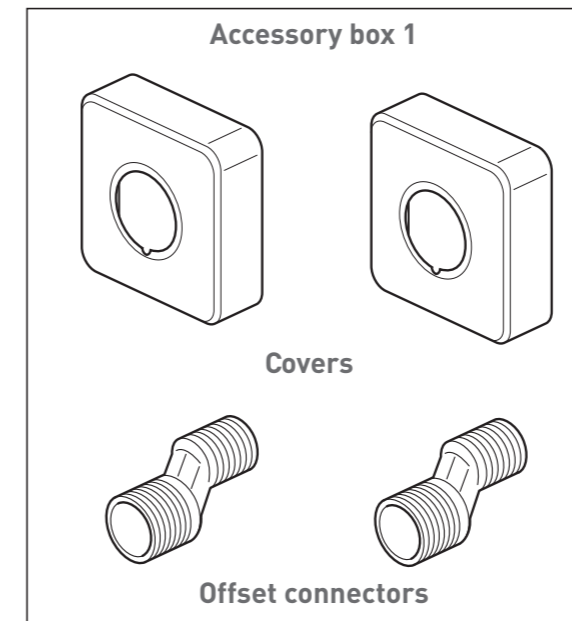
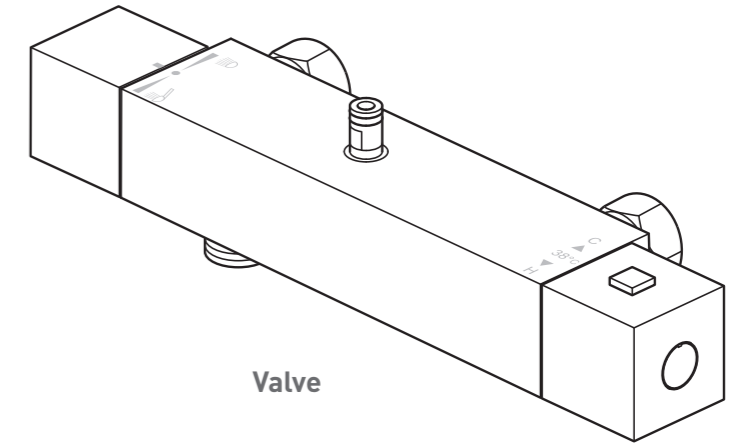
Operating Specifications

Operating Pressure

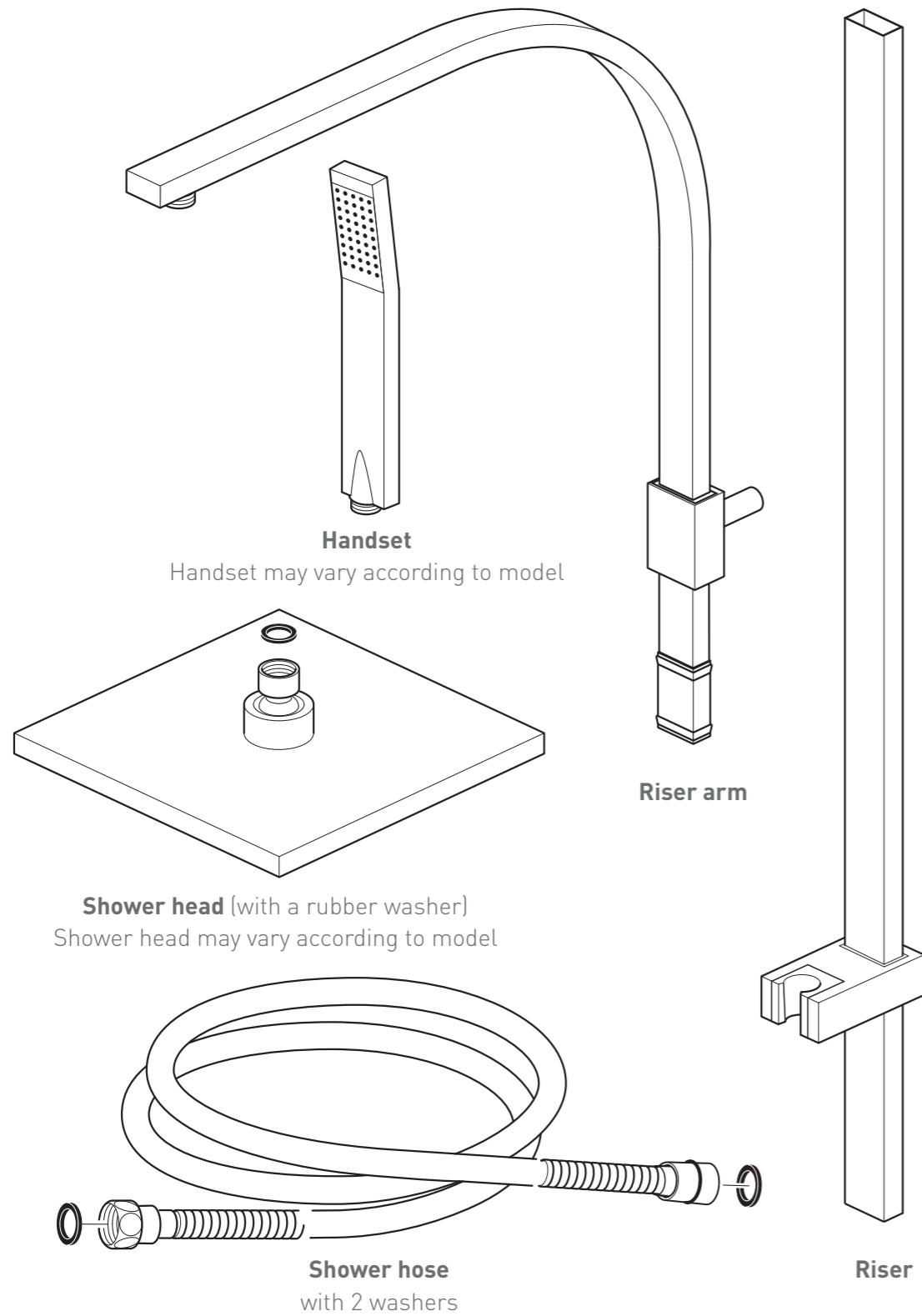
Minimum operating pressure 1 bar

Maximum operating pressure 5 bar

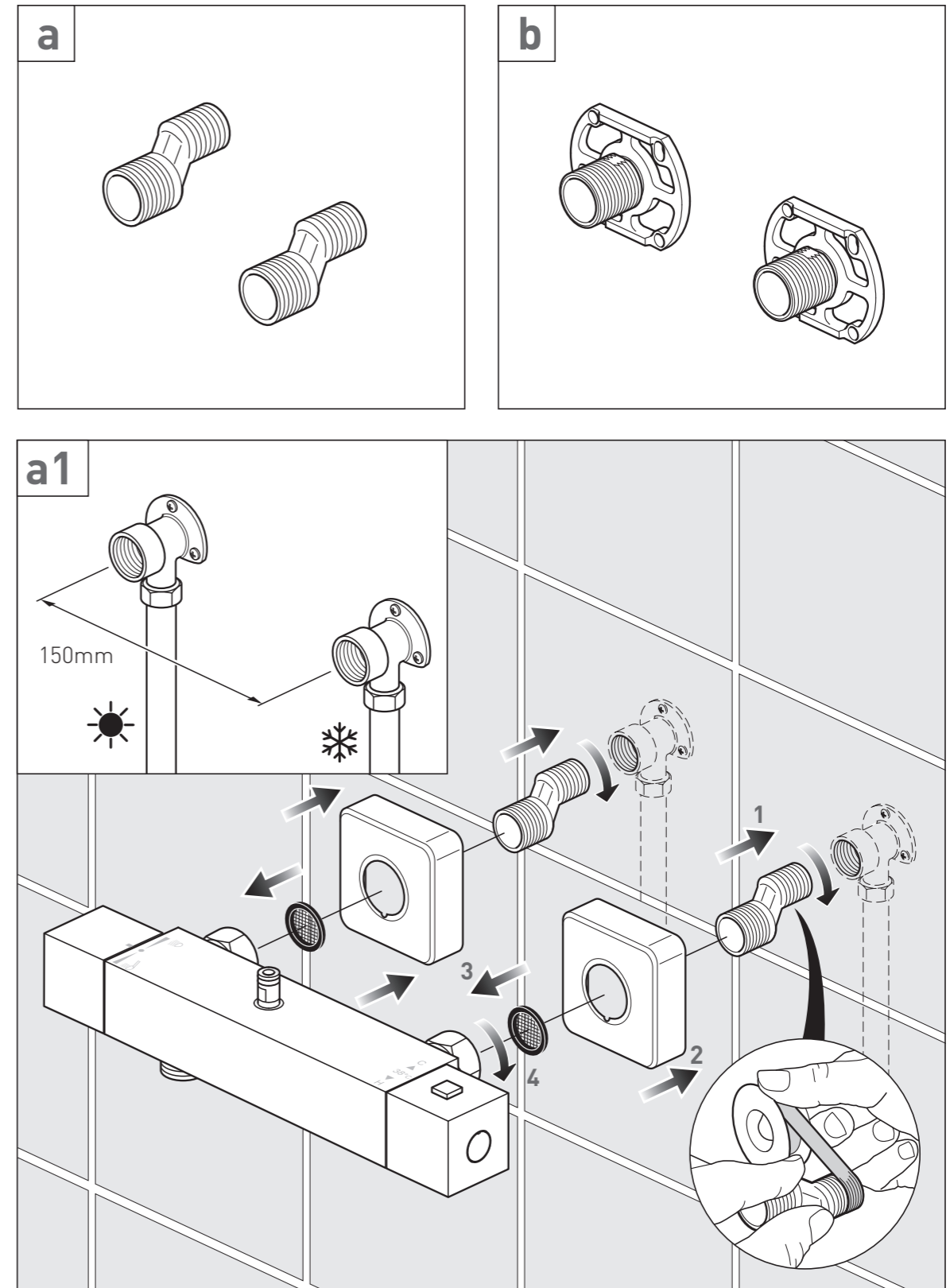
Contents of Packaging



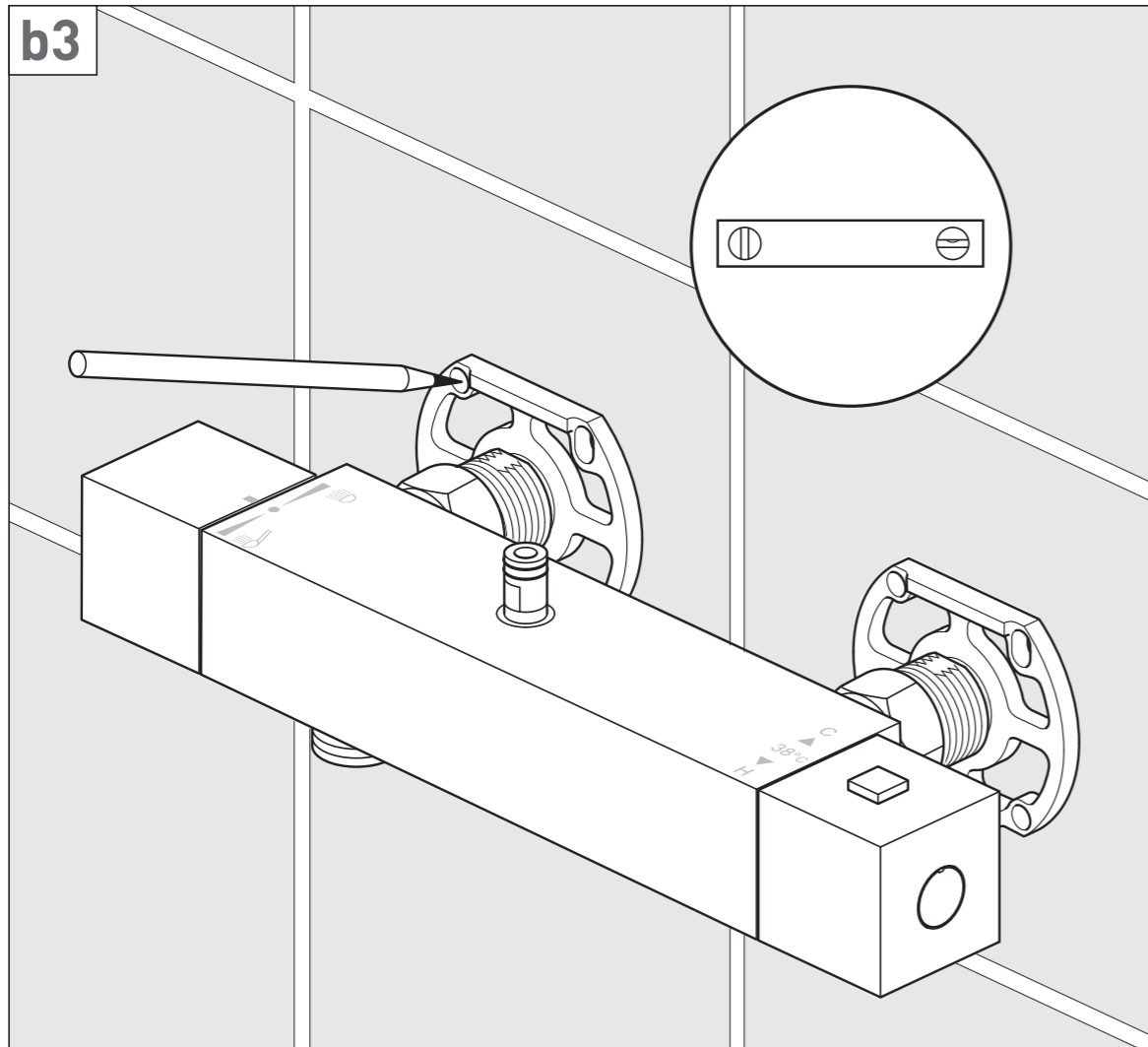
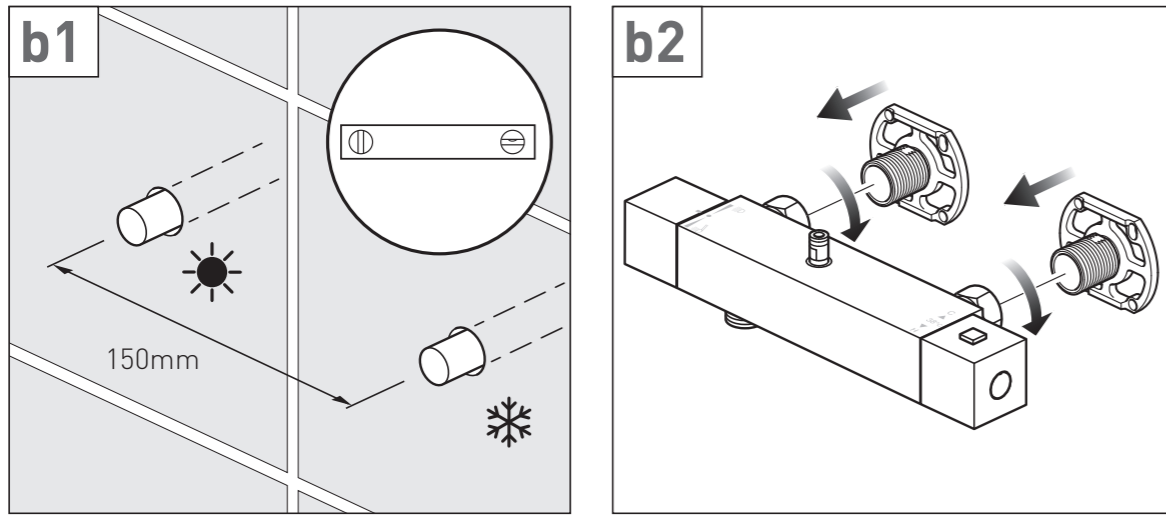
Contents of Packaging



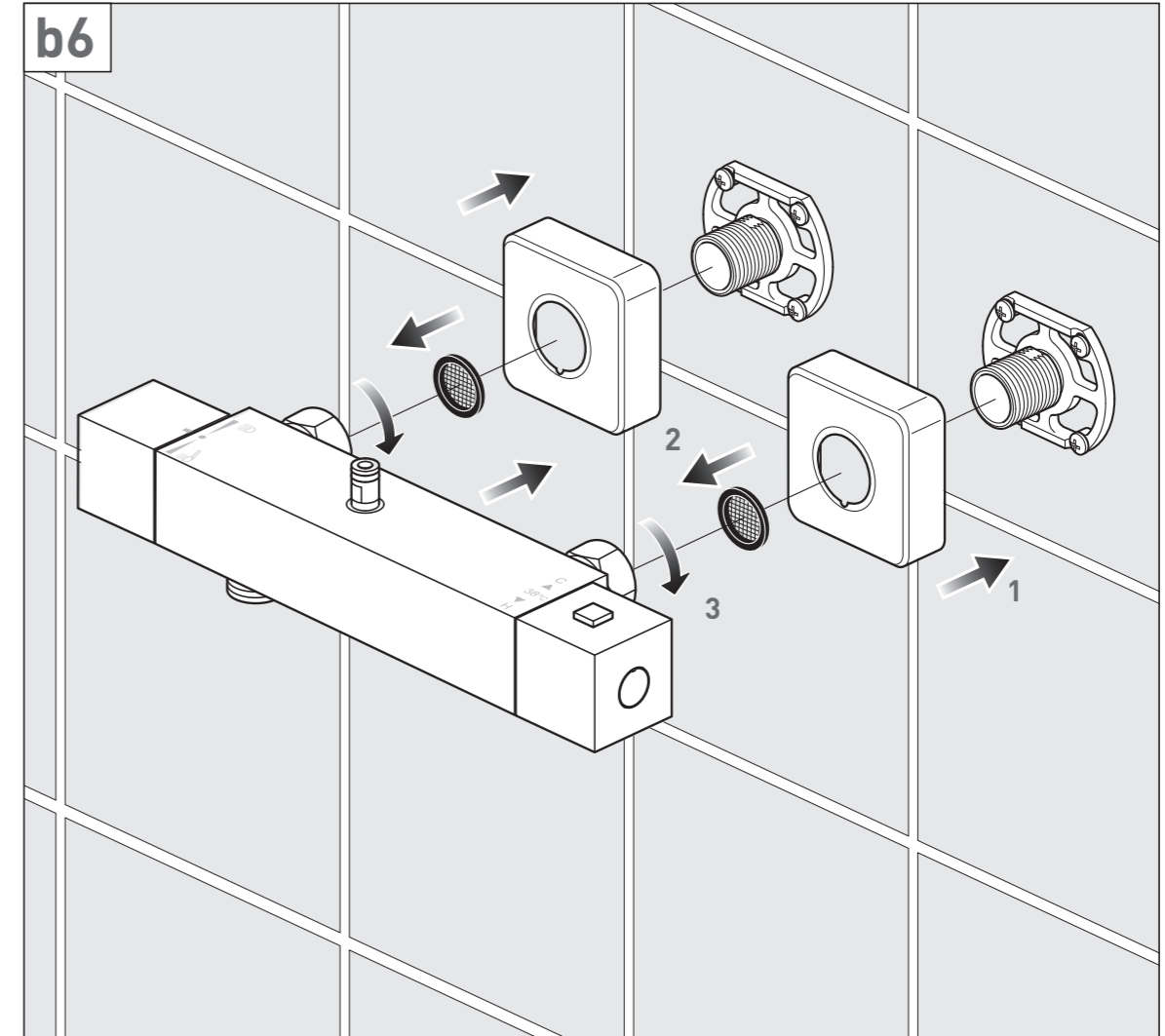
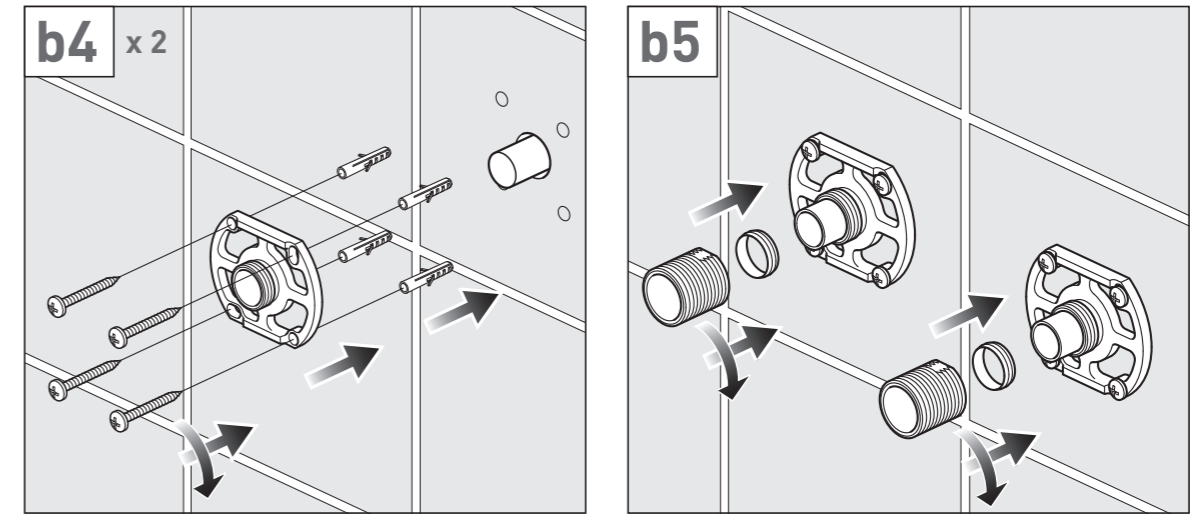
Installation - Quick guide



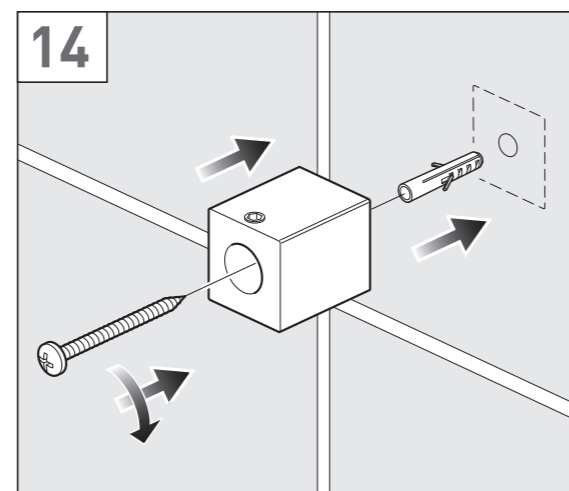
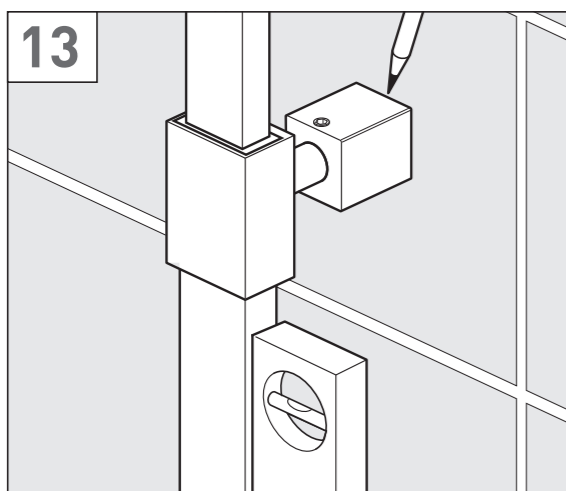
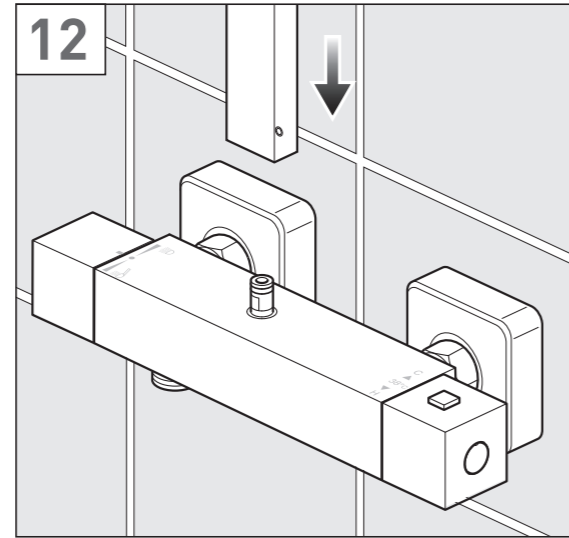
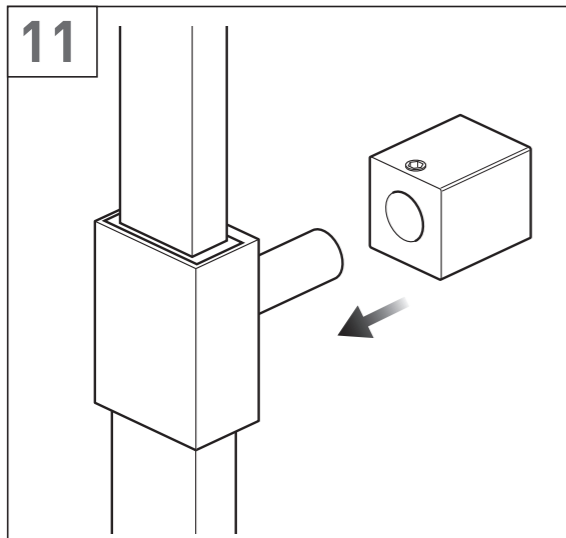
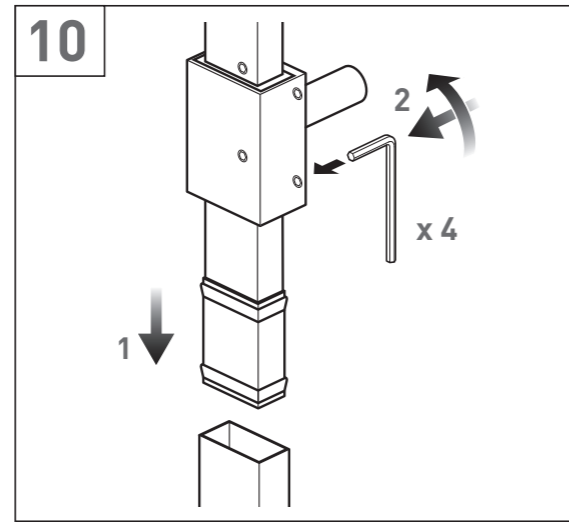
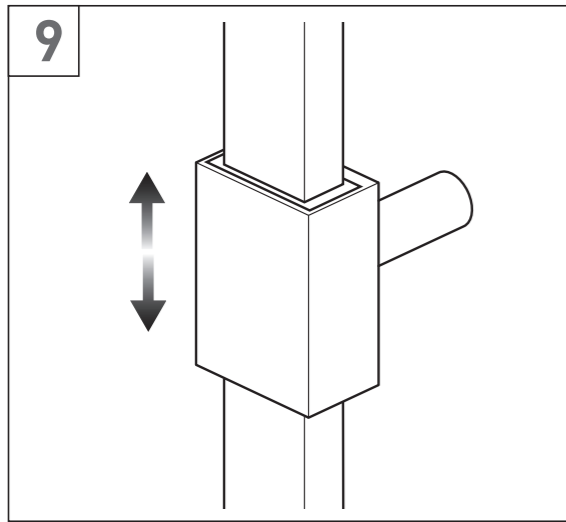
Installation - Quick guide



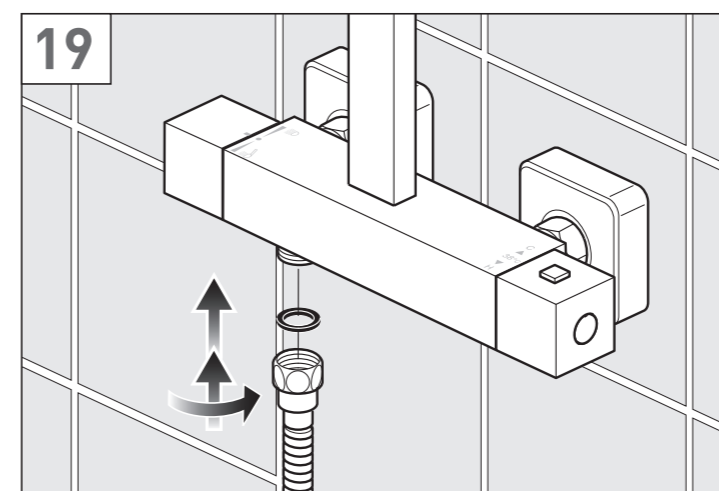
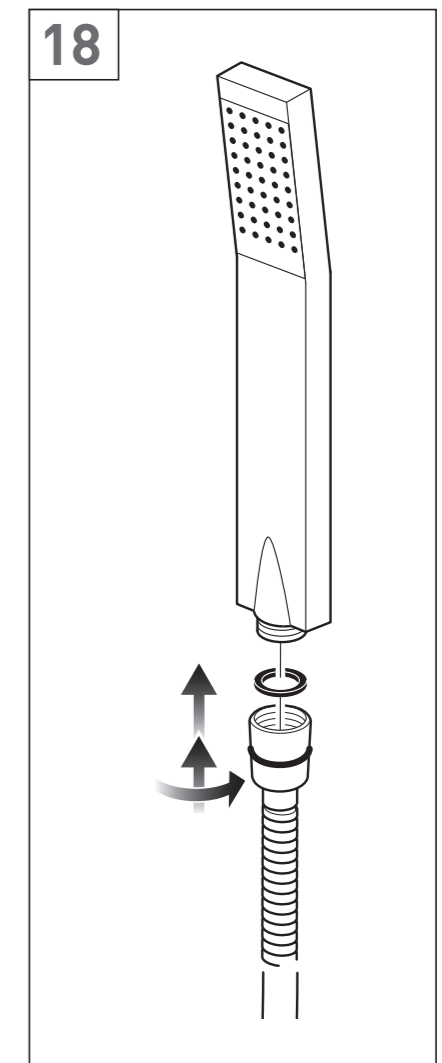
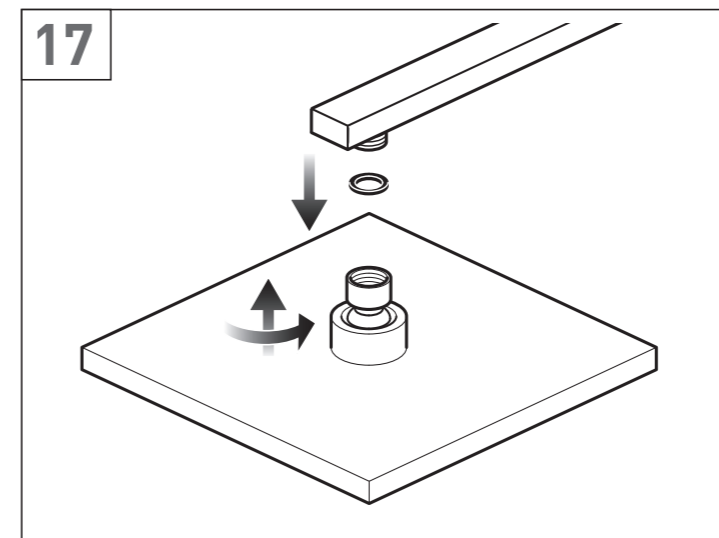
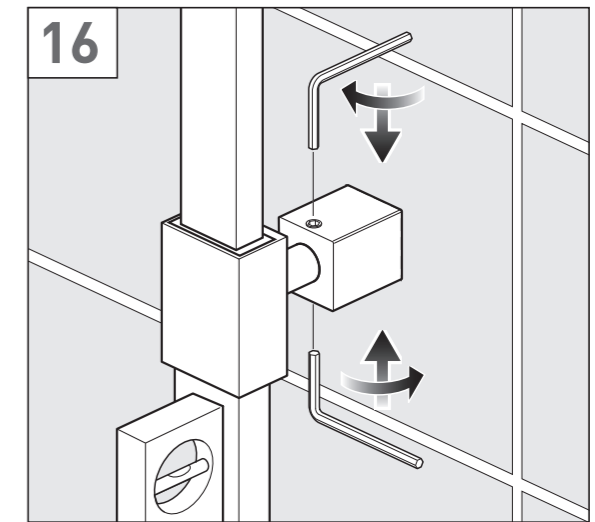
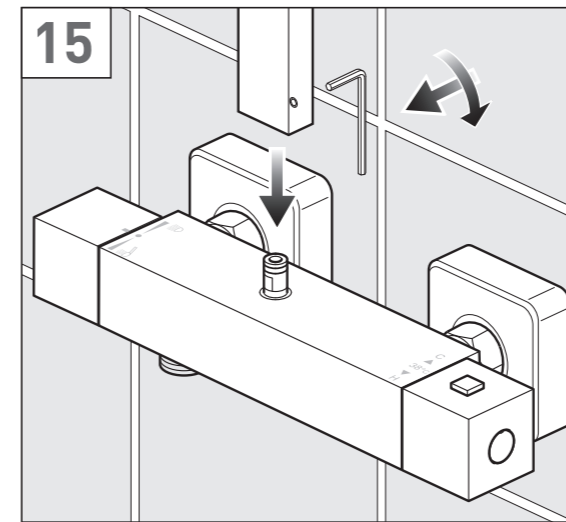
Installation - Quick guide



Installation - Quick guide

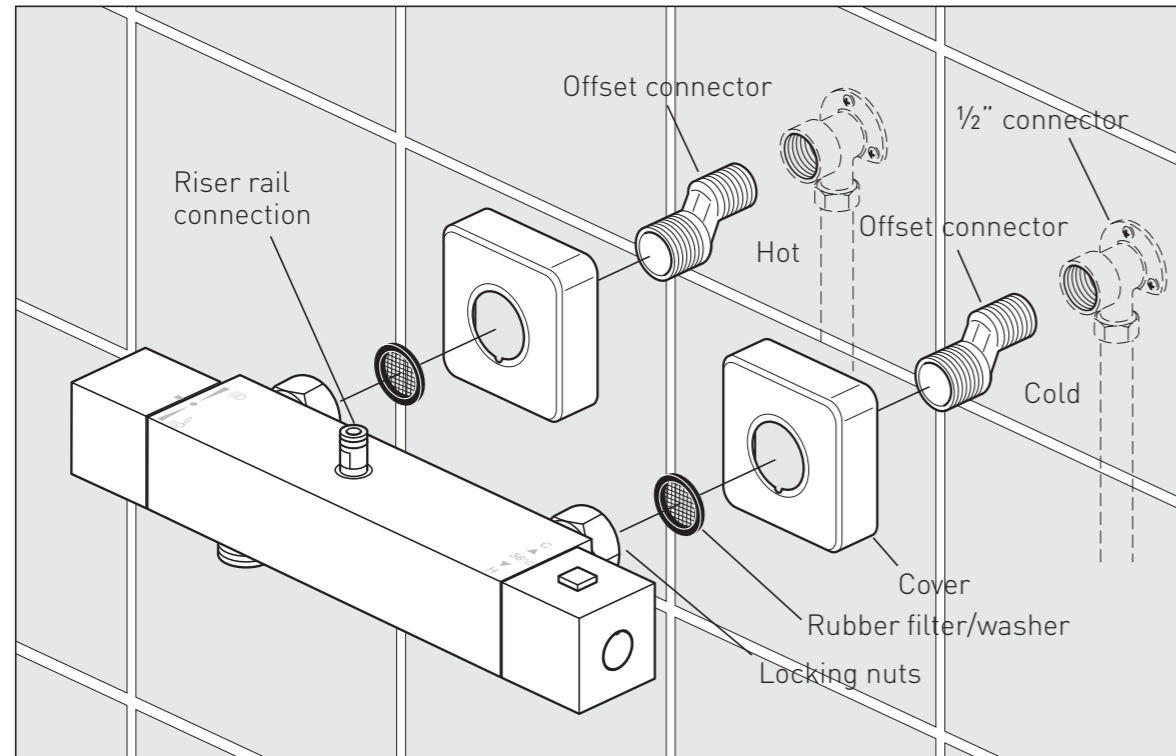


Installation - Quick guide



Installation - Offset connectors

Note: There are two options for installing your valve, using offset connectors (below) or quick fit connectors (see page 13).



Before installing your new mixer, flush through the pipe work to ensure removal of debris, turn off the water supply.

Note: Make sure that the valve is positioned to allow room for the riser rail to be fitted later (see dimensions on page 6).

Prepare the wall with 2 flush 1/2" connectors at 150mm centres. Connect the water supply to the inlet pipes. The hot water should be connected to the left hand pipe.

Using PTFE tape screw on the 2 offset connectors followed by the covers.

Place a rubber filter/washer in each of the locking nuts on the valve and screw onto the connectors, some adjustment can be made to the offset connectors to align the centres and level up the valve.

Note: The valve must be connected to rigid pipe work for support.

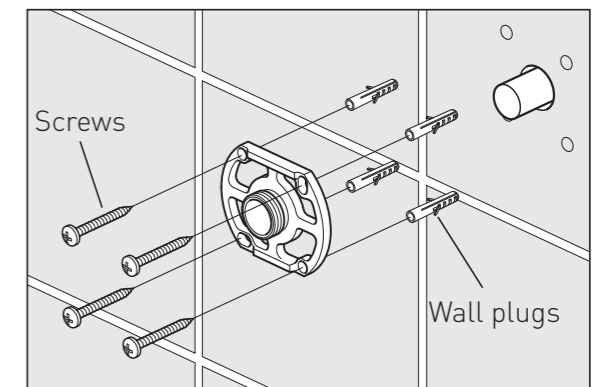
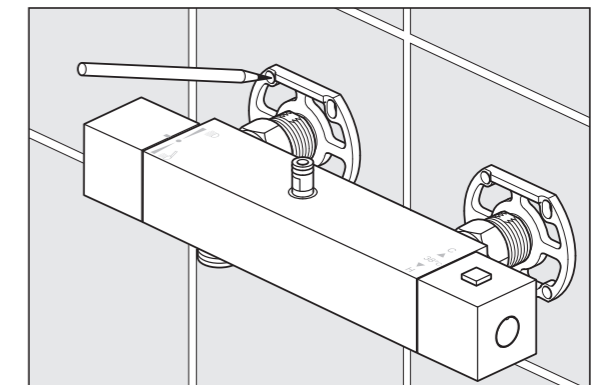
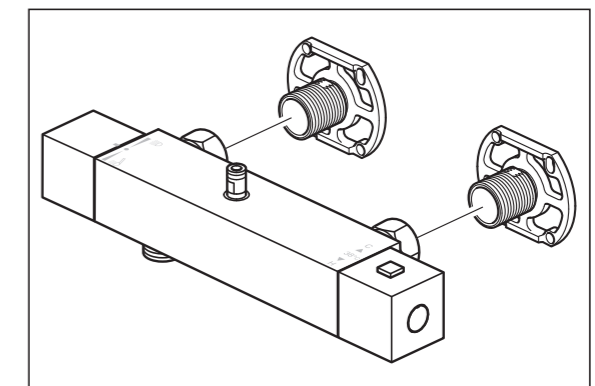
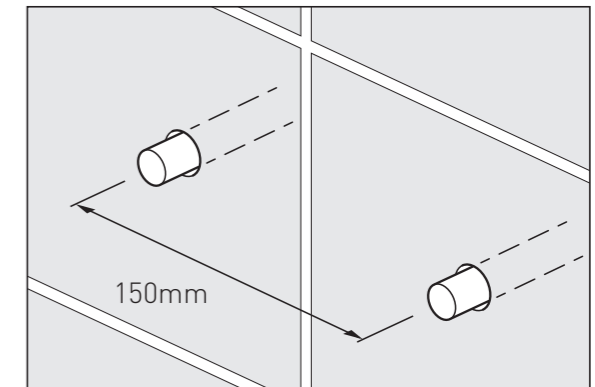
Installation - Quick fit connectors

Note: Make sure that the valve is positioned to allow room for the riser rail to be fitted later (see dimensions on page 6). Prepare the wall with 2 copper pipes at 150mm centres. Connect the water supply to the inlet pipes. The hot water should be connected to the left hand pipe.

Temporarily screw both quick fit connectors onto the valve.

Position the valve making sure it is level and mark the position of the 4 screw holes in each connector.

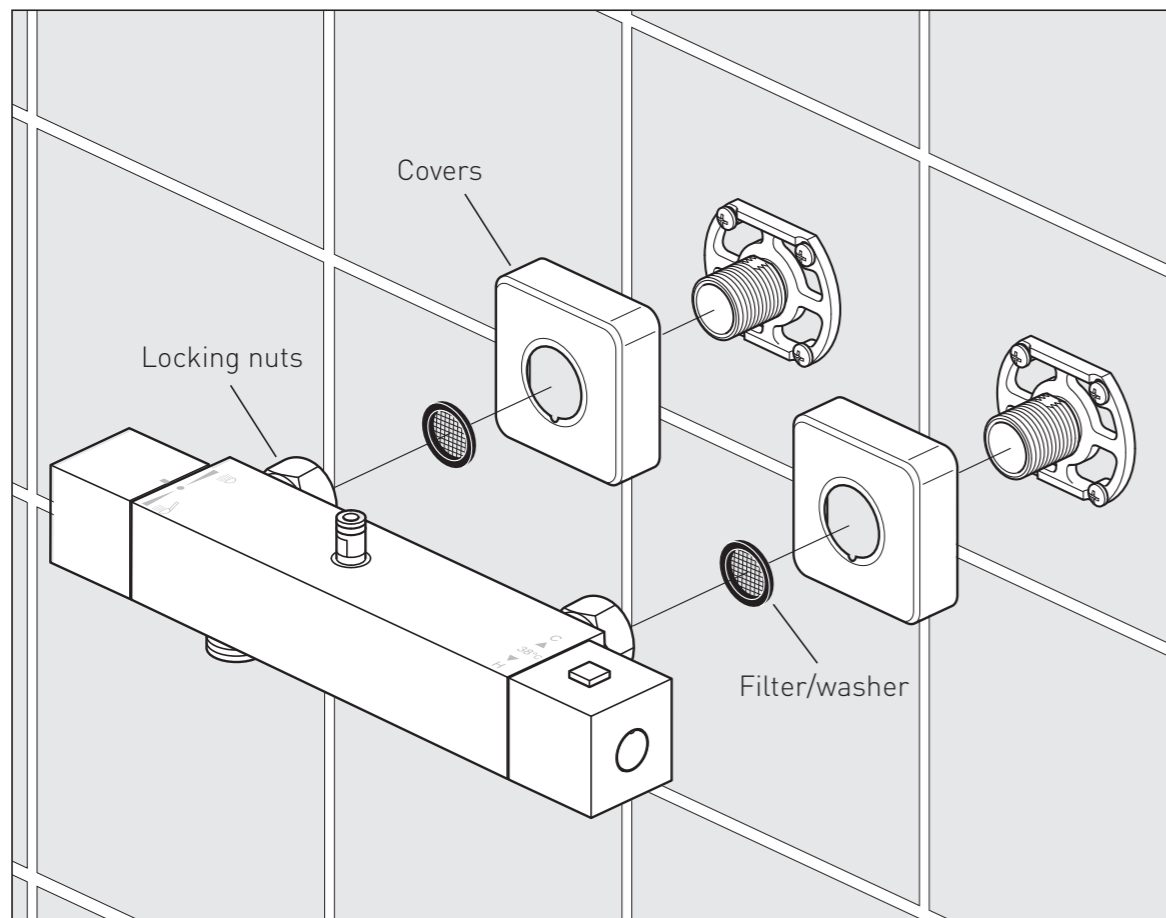
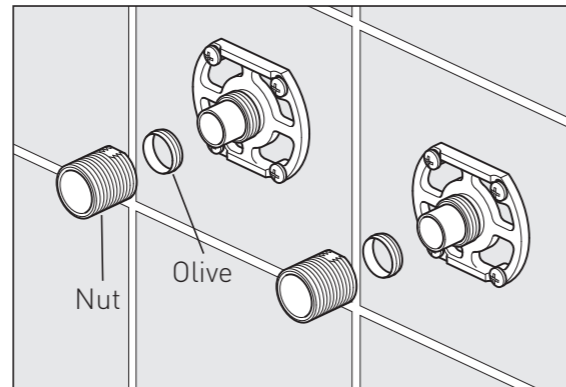
Warning! Please check for any hidden cables and pipes before drilling holes in the wall. Remove the nut and olive from the connector. Drill the 4 marked holes to a suitable depth for the wall plugs and secure with supplied screws. Repeat for the other connector.



Installation - Quick fit connectors

Slide on the olive, screw on and tighten the nut.

Before installation flush through the pipe work to ensure removal of debris, turn off the water supply.

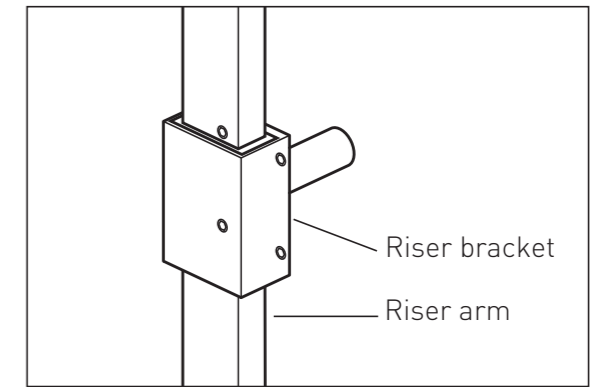


Screw the covers on each offset connector. Place a rubber filter/washer in each of the locking nuts on the valve and screw onto the connectors.

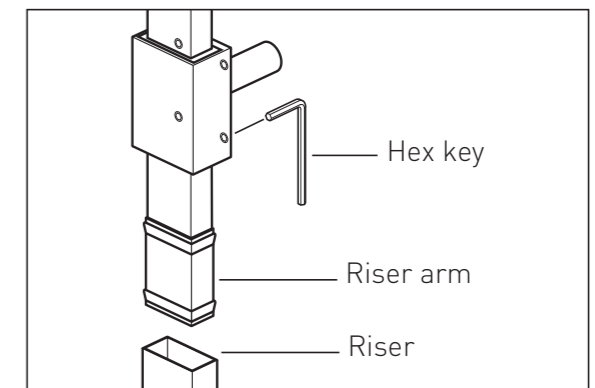
Installation

You can adjust the height of the riser to suit your requirements. This must be done before installing the riser rail.

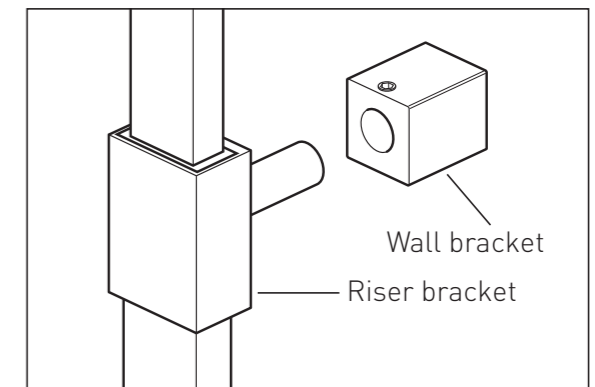
Slide the bracket up to shorten the height of the riser.



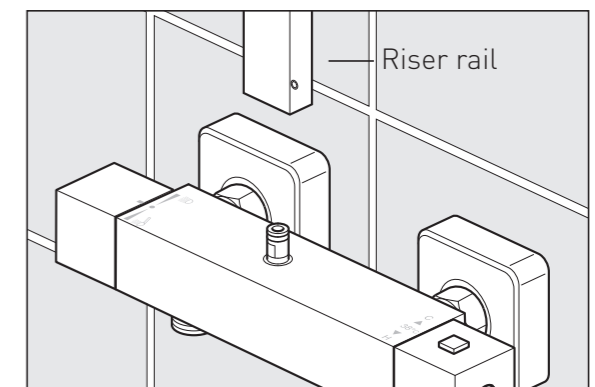
Carefully push the riser arm into the riser, the seals have been pre-greased to help the two slide together. Keep pushing until the riser hits the stop within the bracket (approx 20mm). Tighten the four hex keys to secure the bracket in position.



Slide the wall bracket on the riser bracket.

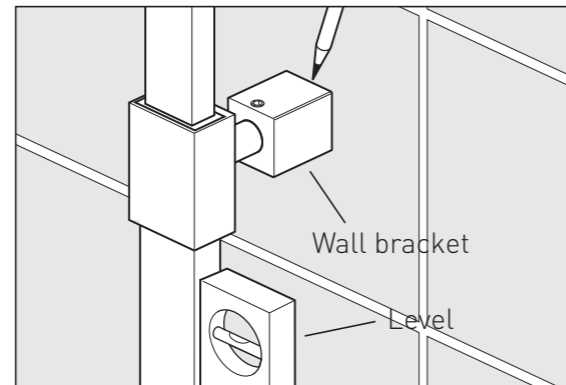


Push the riser onto the connection on the top of the valve being careful not to damage the O-rings.



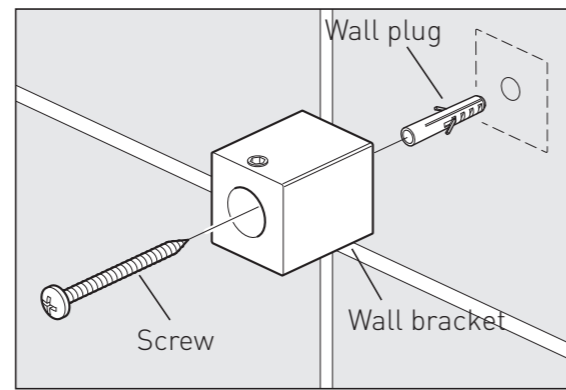
Installation

Place the bracket against the wall. Make sure that the riser is vertical and mark around the wall bracket with a pencil. Remove the riser from the wall and the valve.

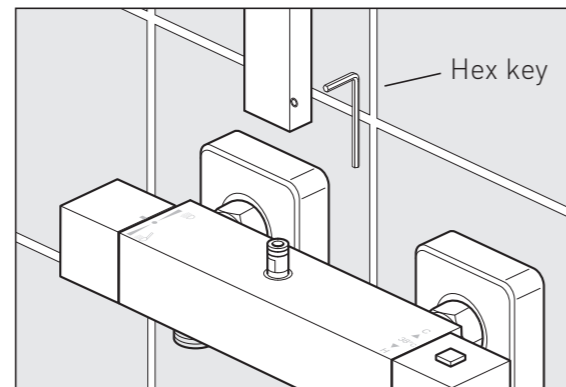


Warning! Please check for any hidden cables and pipes before drilling holes in the wall.

Mark the centre of the hole. Drill the marked hole to a suitable depth for the wall plug and secure with supplied screw.

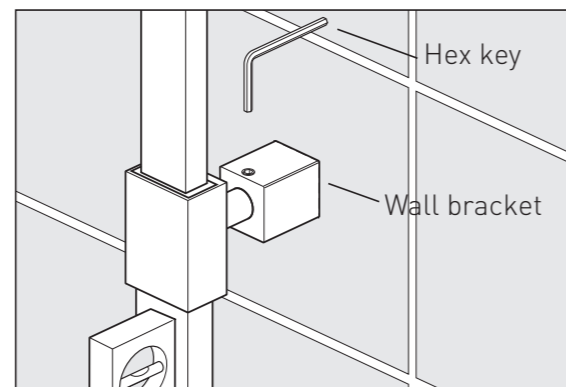


Replace the riser onto the valve. Slide the riser bracket into the wall bracket.



Make sure that the riser is vertical and secure in position using the grub screw on the top of the wall bracket.

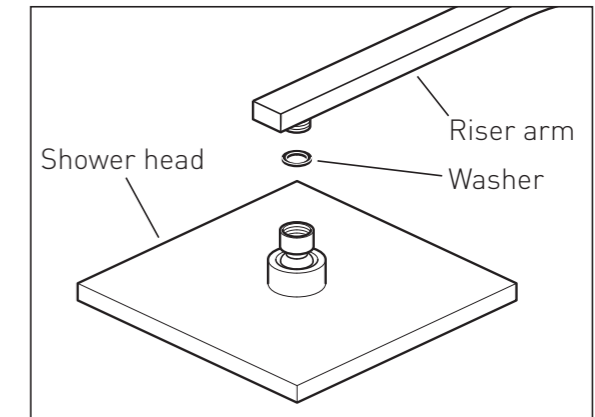
Finally tighten the grub screw to secure the riser to the valve.



Installation - Shower hose

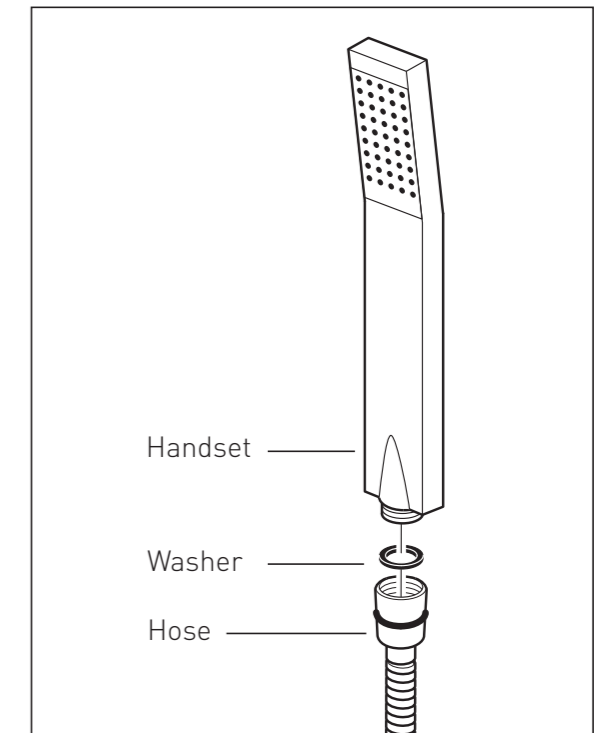
Shower head

Make sure there is a rubber washer in place in the showerhead and screw onto the riser arm.



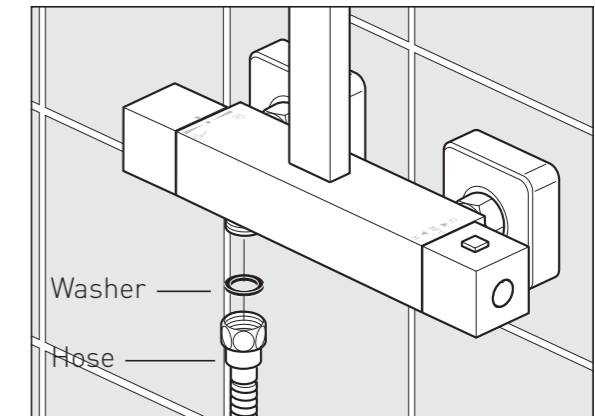
Handset

Place one of the rubber washer into the cone end of the hose and screw to the handset.



Valve

Place the second rubber washer into the nut end of the hose and attach it to the valve outlet.



Commissioning

The valve has been factory set under balance pressures and hot water supply at 65°C. When your specific operating conditions are significantly different from the above, the temperature of the water may vary from the setting.

When the difference is too great, you can adjust the calibration of the valve to suit individual requirements of the installation:

1. Check the temperature of the water being delivered from the outlet with a thermometer.

Note: temperature readings should be taken at normal flow rate after allowing for the system to stabilise.

2. If the temperature is not 38°C proceed to reset the calibration as follows.

Remove the handle.

Ensure the step on the stop ring is located at 12 o'clock.

Do not remove the plastic stop ring. Turn the spline of the thermostatic valve clockwise to decrease the temperature and anti-clockwise to increase the temperature until 38°C is achieved at outlet.

Note: the sensing part of the thermometer probe must be fully submerged in the water that is to be tested.

Replace the handle making sure that the pin is against the step.

Once the handle has been attached ensure the temperature does not exceed 46°C when turned entirely anti-clockwise.

Your valve setting is now commissioned.

