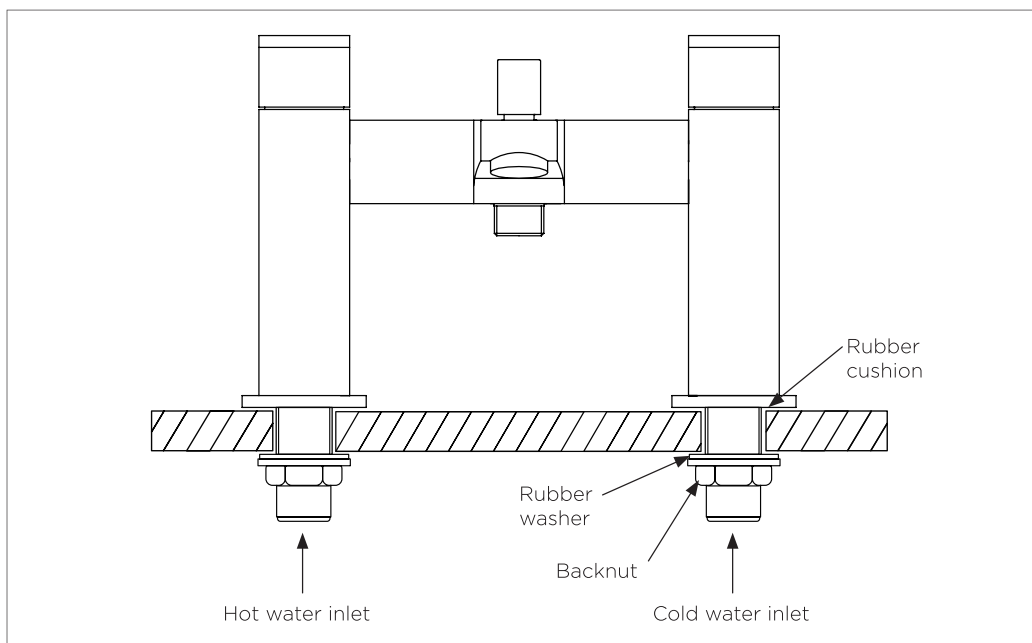


## INTRODUCTION

The Model supplied may vary from the image shown below. Please note that the general installation process for all Bath Filler & Bath Shower Mixer fittings are the same and the following guide will take you through the process. Before installation identify all components and inspect the product for any damage. A claim will not be accepted if an obvious defect is found after installation.

## IMPORTANT

If you are unsure of any part of the instructions in this document then we recommend that you contact a reputable qualified trades person.



## INSTALLATION

Prior to installation please ensure all supply pipes have been thoroughly flushed through to remove any debris.

Isolating valves must be fitted in a convenient position to allow future servicing of the fitting.

1. Turn off the water supply and remove existing fittings.
2. Carefully assemble new fitting onto the bath, ensuring rubber washers or cushions are in place at the base of the fitting.
3. Tighten the backnuts, ensuring equal torque is applied to both nuts.
4. Earth any new pipework adequately. Seek the advice of a qualified trades person if in any doubt.
5. Connect water supply pipes to the inlet tails of the fitting. Note the hot water supply must connect to the left hand inlet when viewing from the front.
6. Turn the valves to the open position.
7. Open the isolating valves (not supplied).
8. Turn on water supply and allow to run for a few minutes to flush out the piping system thoroughly.
9. Check connections for watertightness.

# bath filler & shower mixer installation

## Aftercare

During installation, extra care must be taken to avoid damaging the fitting or its finish.

To maintain the appearance of the fitting, please ensure it is cleaned regularly using a clean soft damp cloth only. Do not use abrasive sponges, scouring agents, organic solvents or acidic cleaners as they may cause surface deterioration.