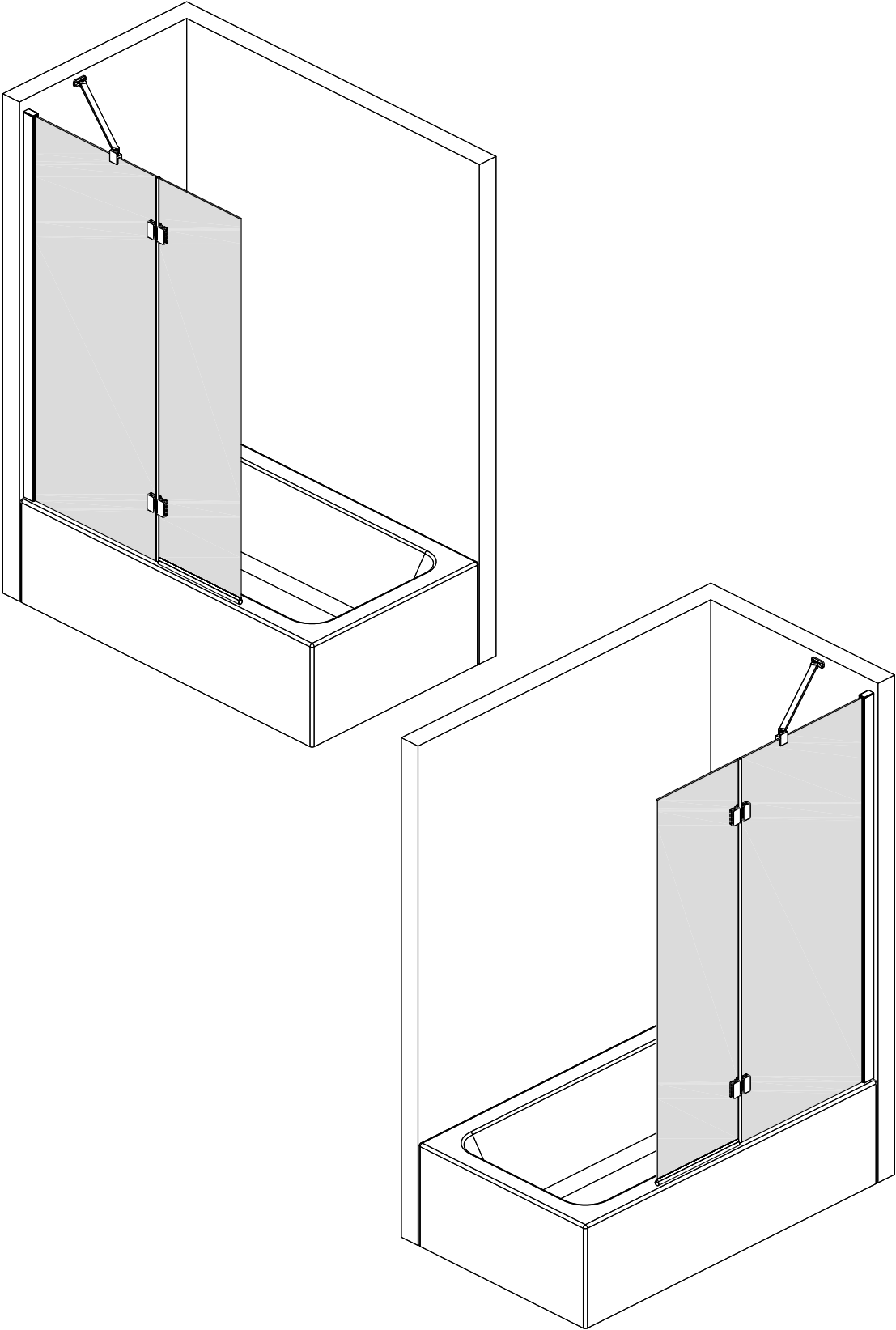


**Important – Please Read**

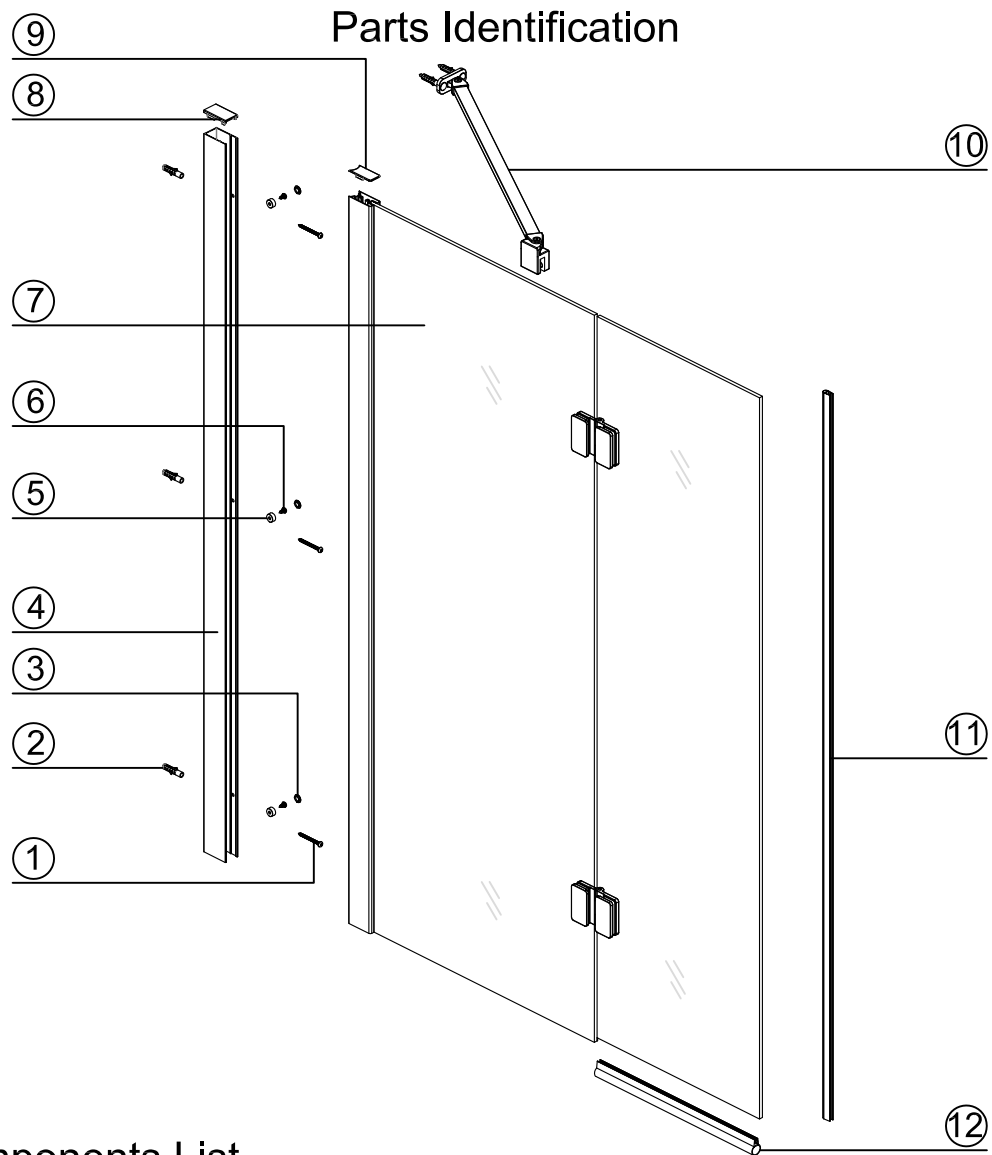
---















C0390-A00-02

If you need further help , Please contact your local depot [www.ctb.co.uk](http://www.ctb.co.uk)

## Important – Please Read



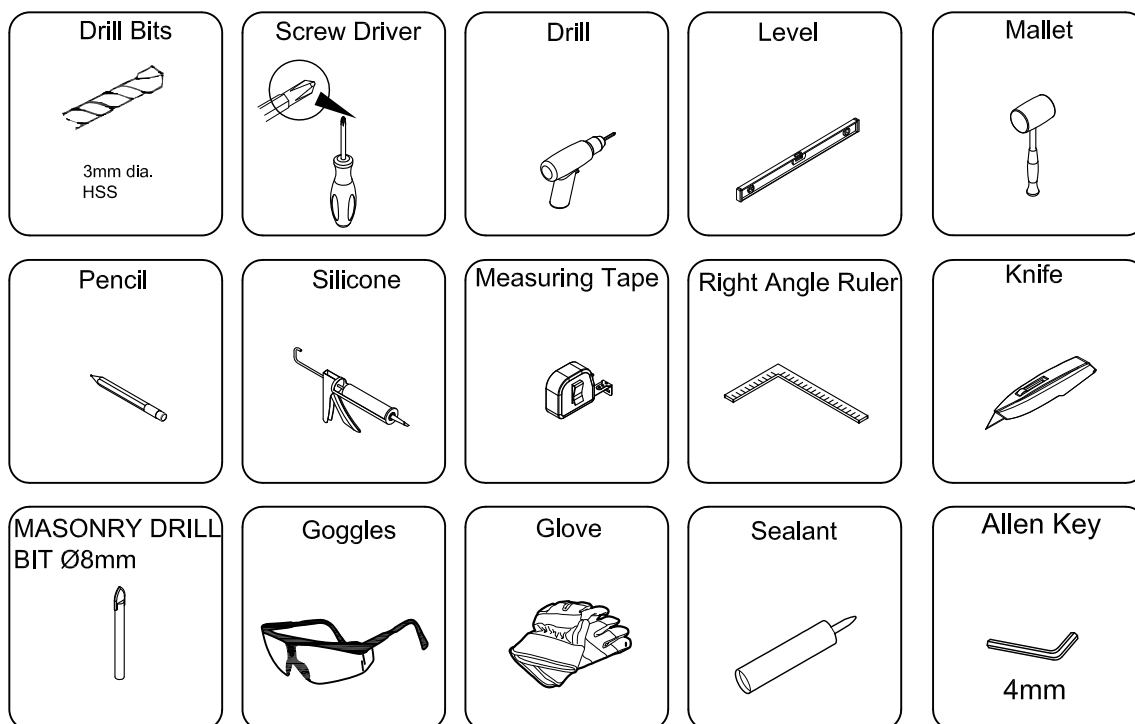
### Components List

N0.	Drawing	Description	Qty
1		No8x1 3/4" Pozi Pan Screw	3
2		Wall plug	3
3		Cap	3
4		Wall Profile	1
5		Fitting	3
6		No8x 3/8" Pozi Pan Screw	3
7		Door Glass	1
8		Profile cover	1
9		Wall Stile Cap	1
10		Bar	1
11		Screen seal	1
12		Bath seal	1

----- option extra part

## Important – Please Read

---



## Things to check before you start

---

\*Check that the bath has been installed correctly and that it is level, tiled down onto and sealed to the manufacturer's guidelines.

### \*check

\*Ensure the product is fitted to a non-porous surface ie. tiled and that the shower area is water proof. Check that the wall surface is flat.

\*Unpack and check the product is complete and undamaged.

\*Please check you are happy with the product before installing it.

\*Fixings are supplied for solid walls only. Ensure that the correct fixings are used for the wall type.  
–if in doubt seek professional advice

\*Ensure the area is clean, dry and dust free.

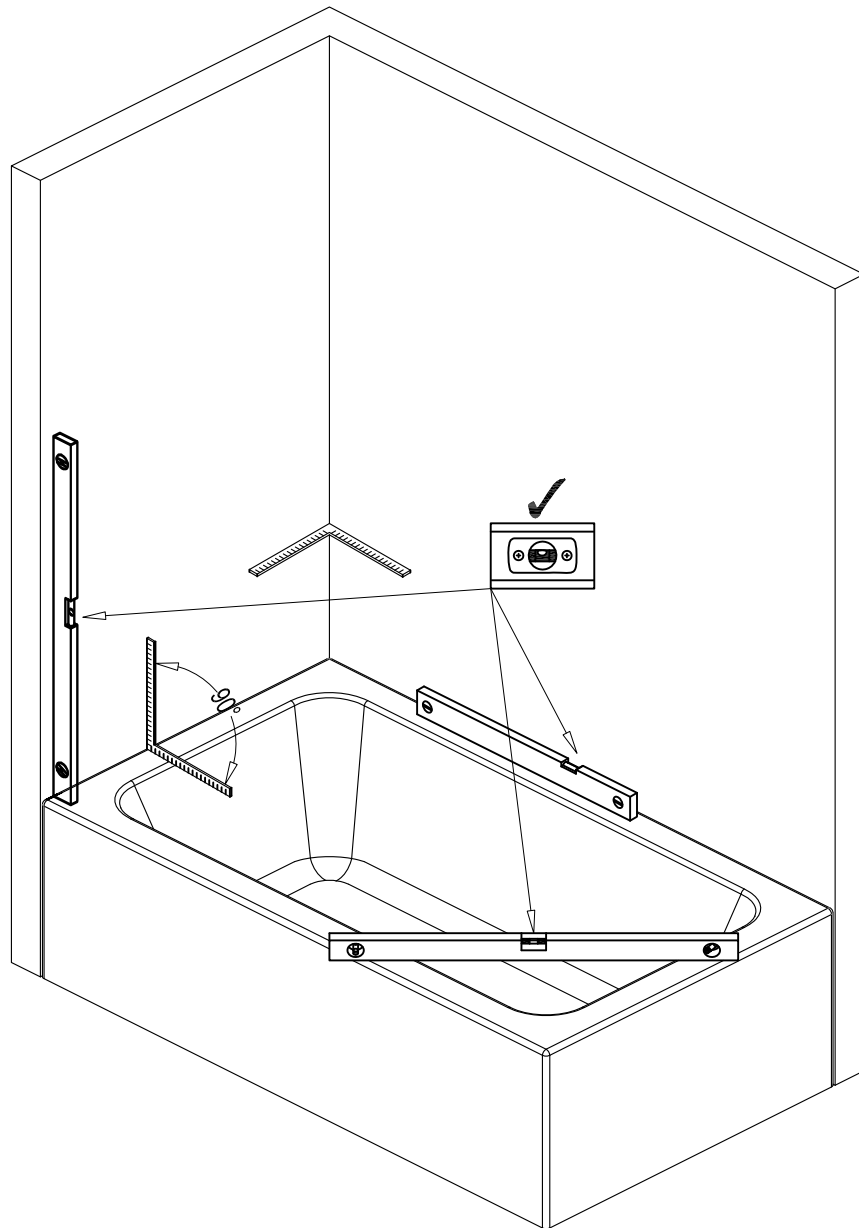
\*Read the instructions in full.

\*Have the correct tools available, see "Tools Required"

\*Please dispose of all packaging with due regard to the environment.

## Important – Please Read

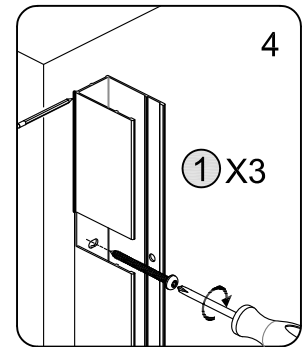
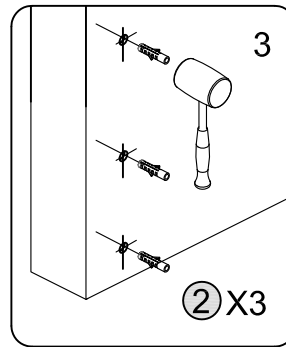
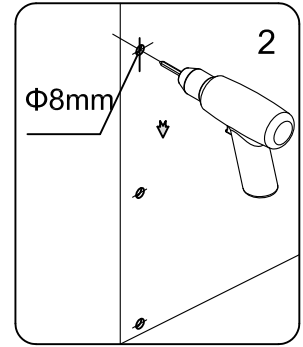
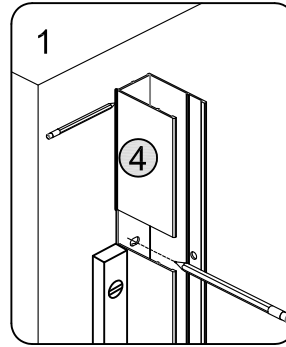
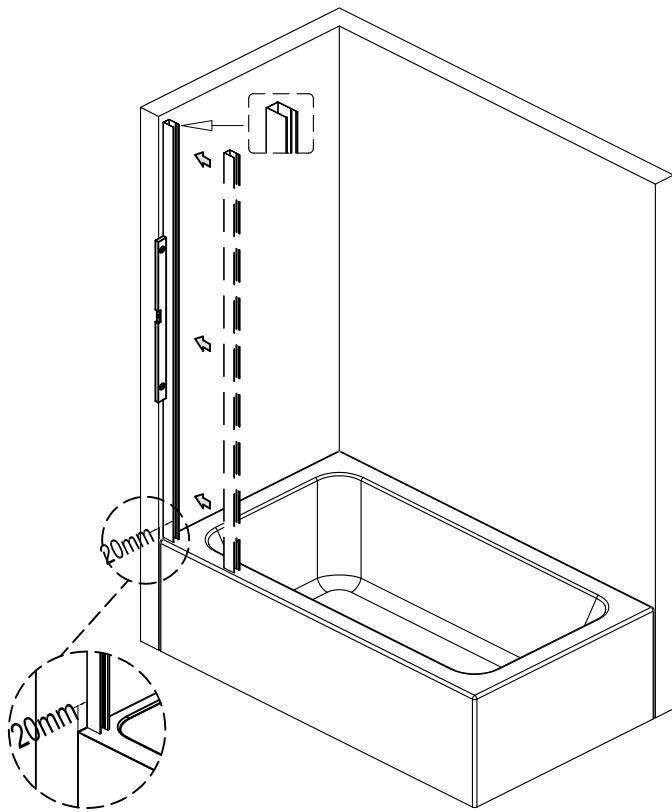
---



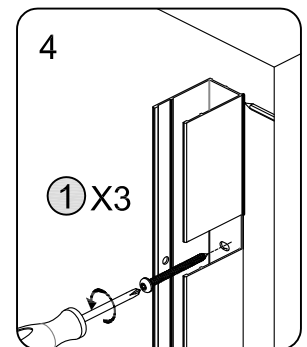
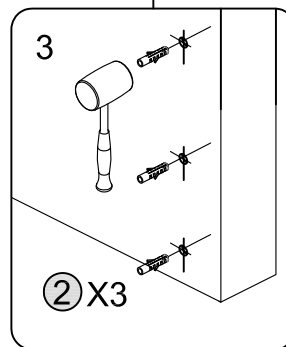
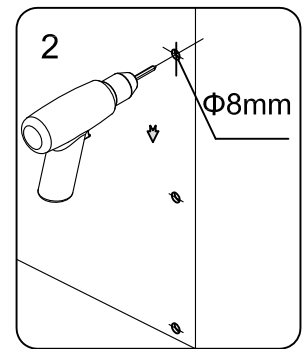
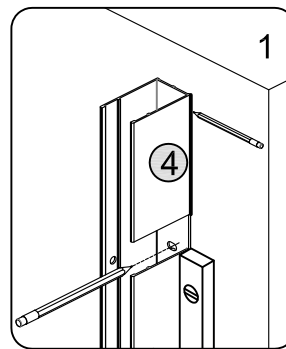
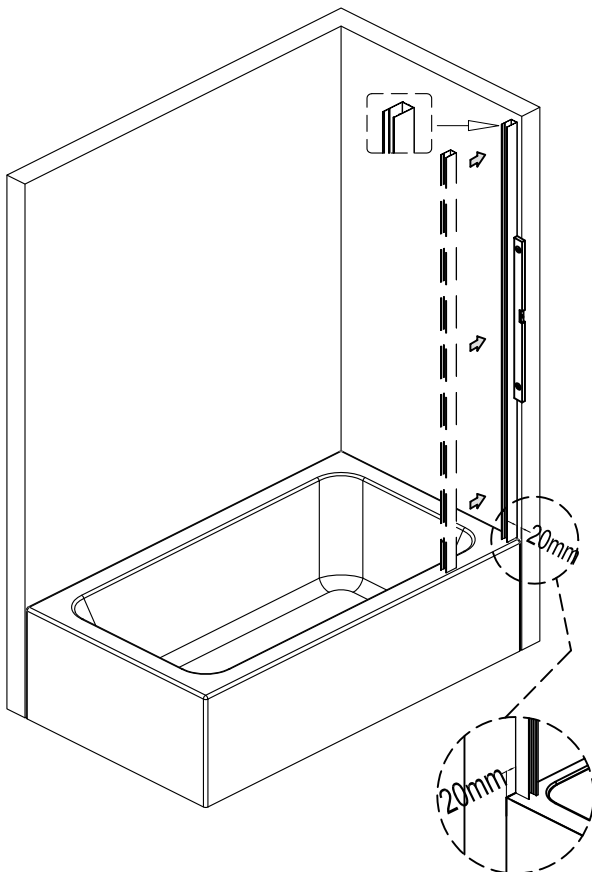
1. Verify shower location is level, plumb, and square. Check dimensions of existing bath to ensure proper fit of shower walls

# Important – Please Read

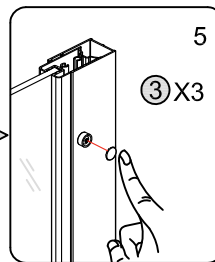
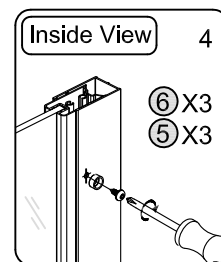
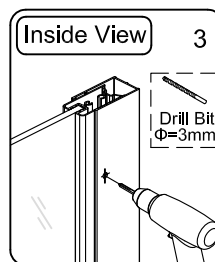
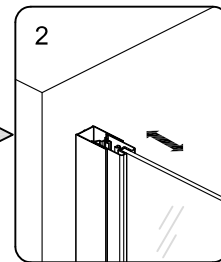
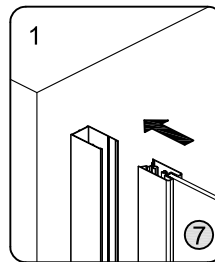
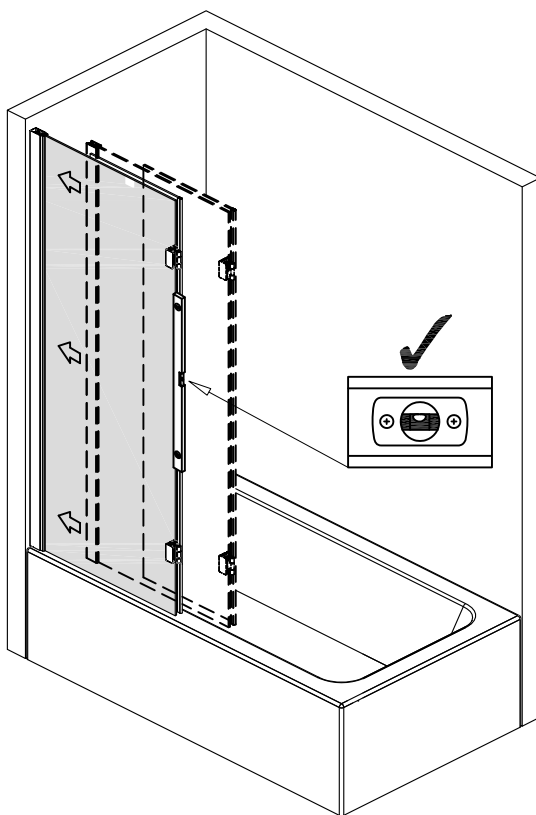
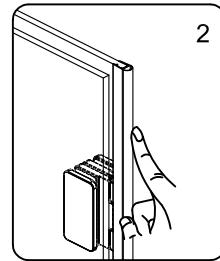
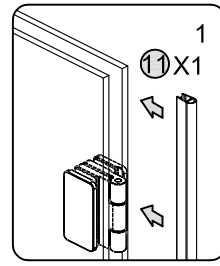
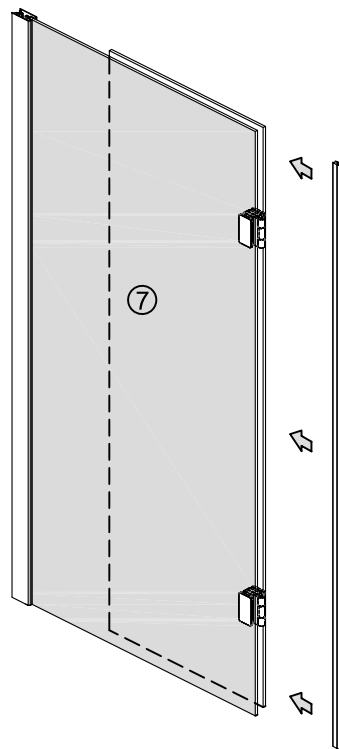
LH installation ( product is supplied for LH fit )



RH installation ( go to page 7 )

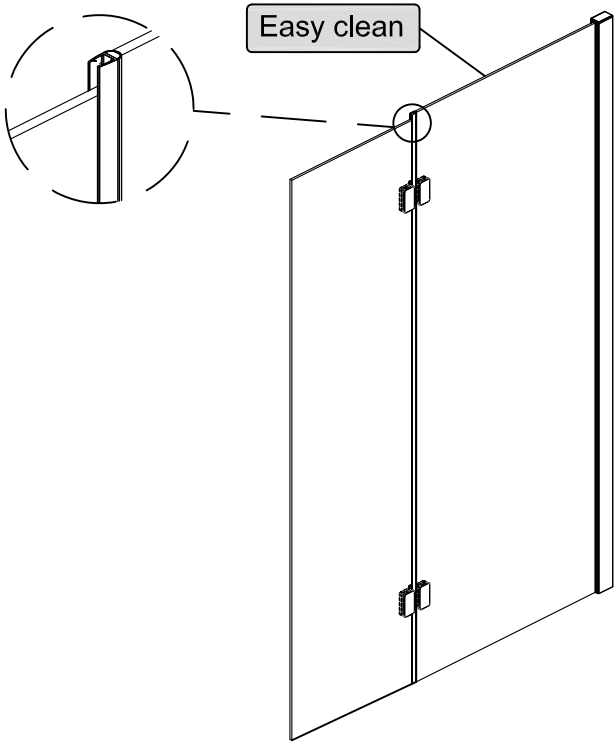
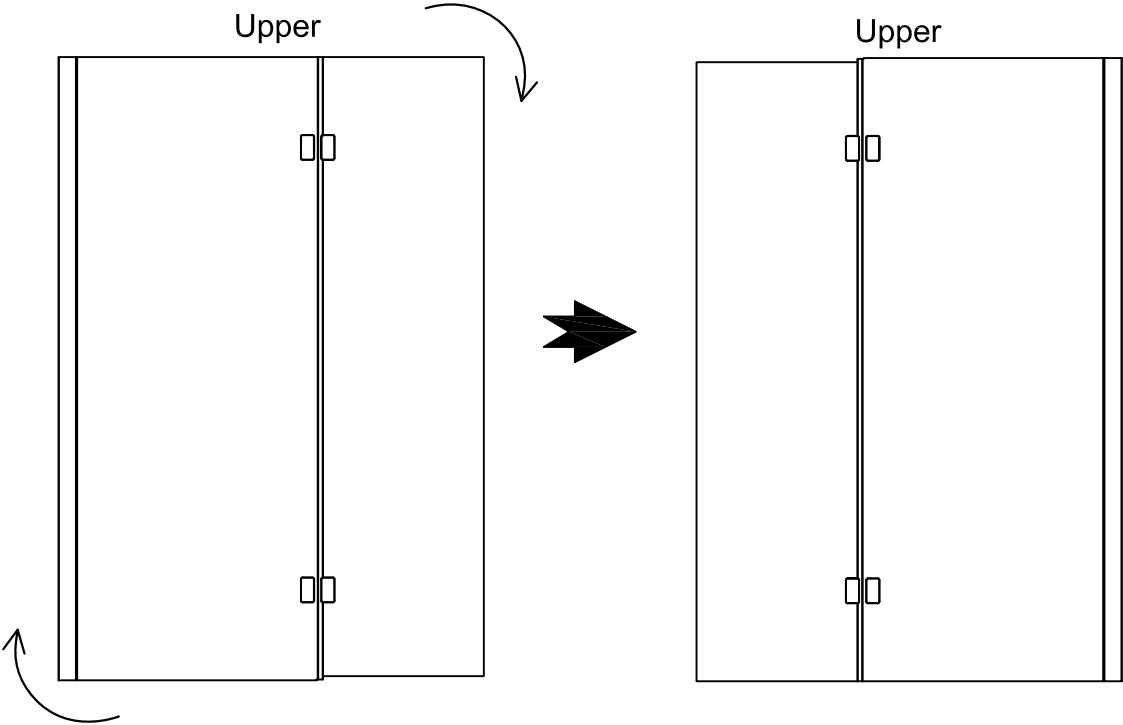


# Important – Please Read



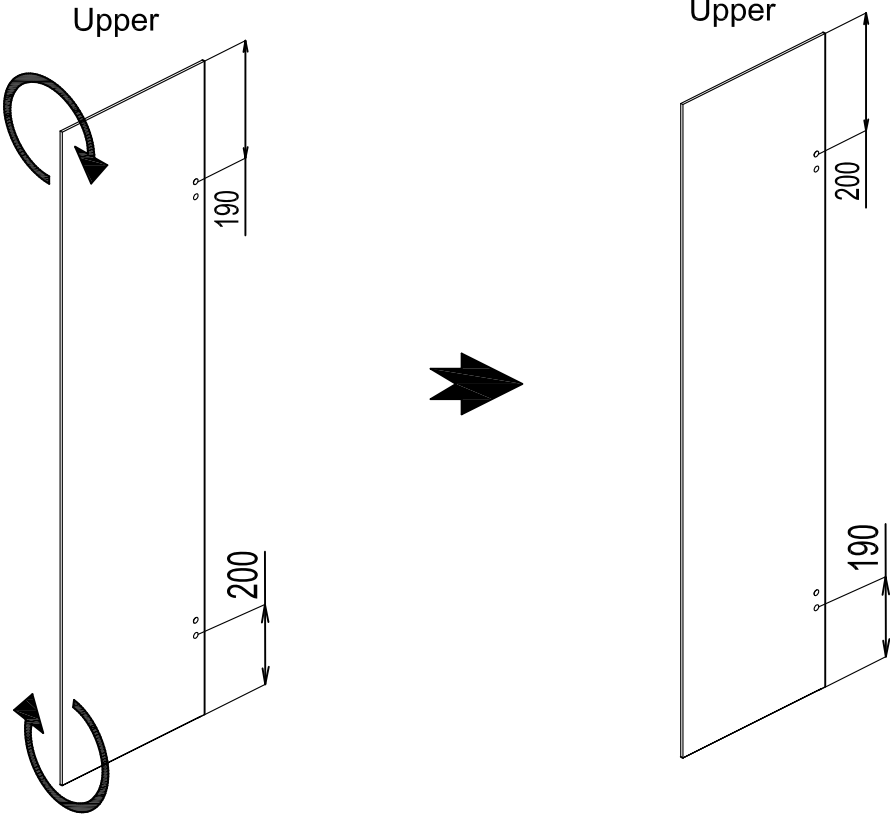
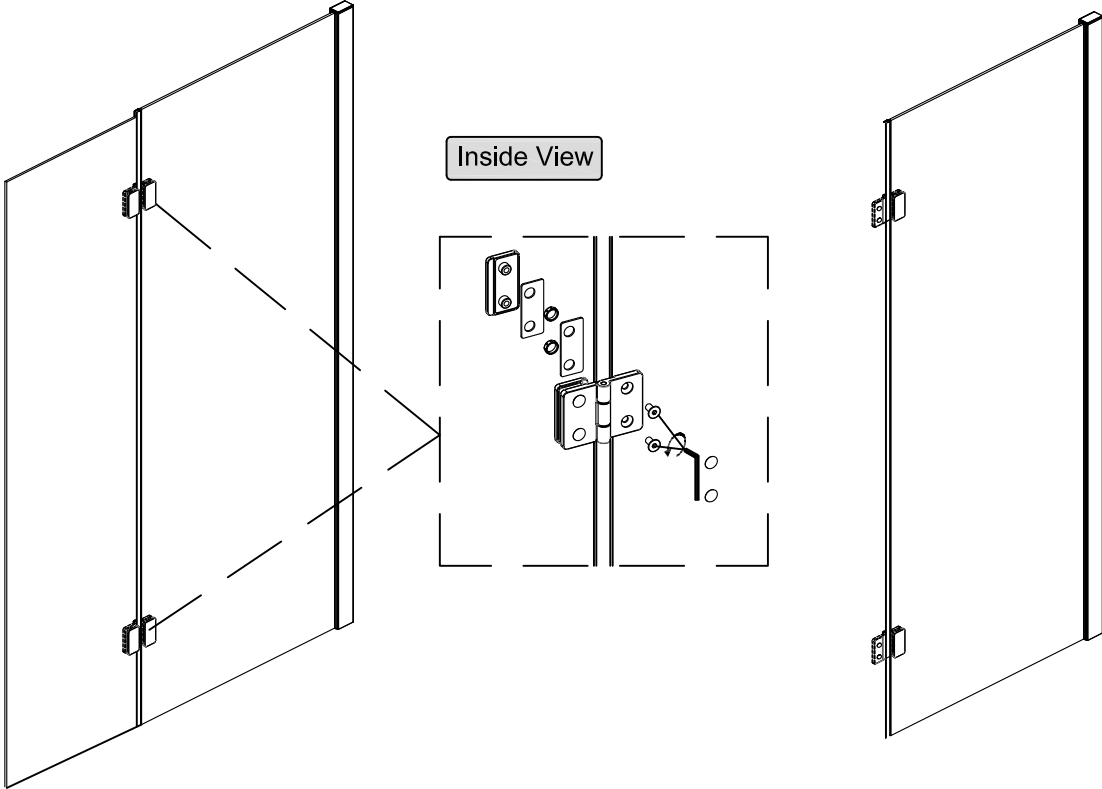
**Important – Please Read**

Turn fixed panel over for RH fit keeping easy clean on the inside.



**Important – Please Read**

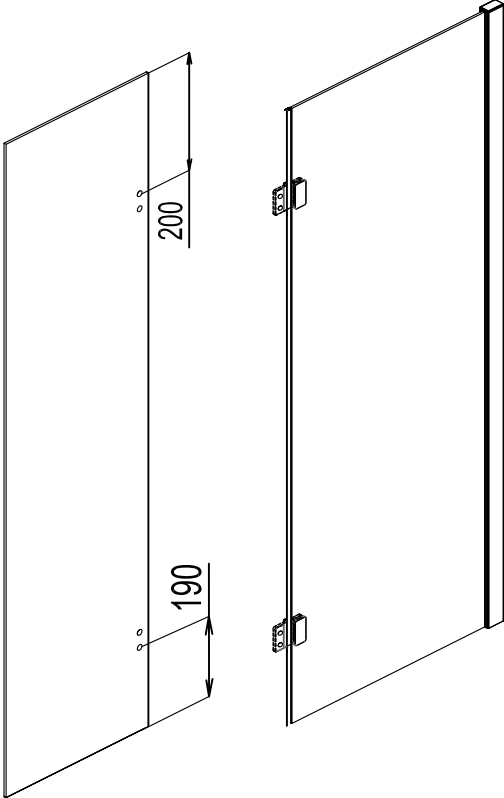
Loose the hinges and flip the moving panel up and down .



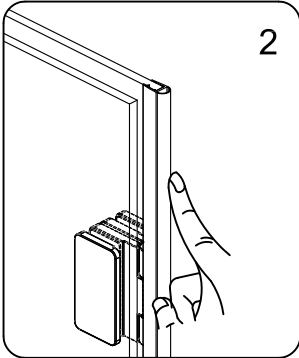
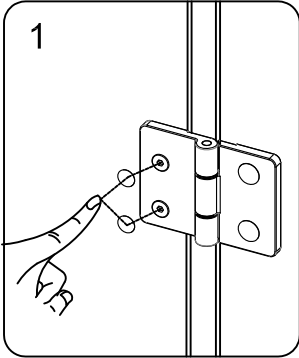
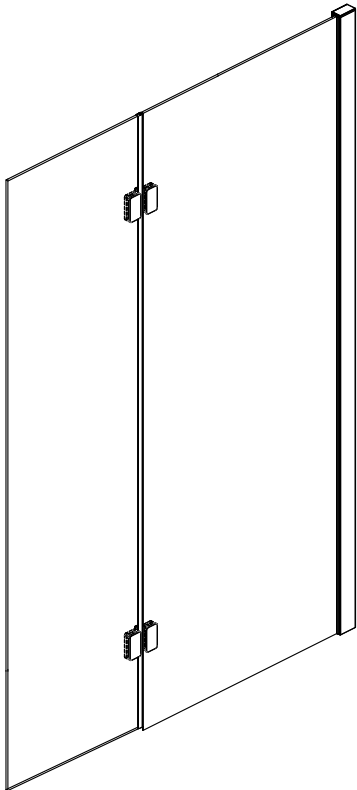
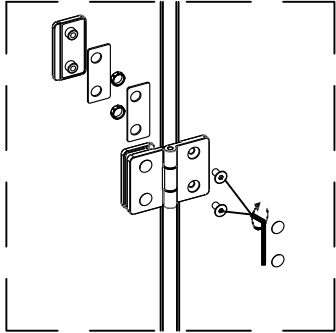


**Important – Please Read**

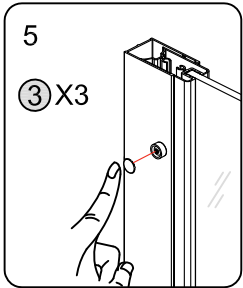
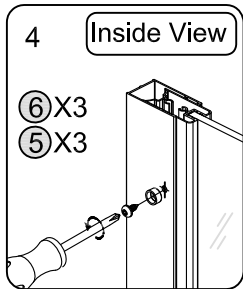
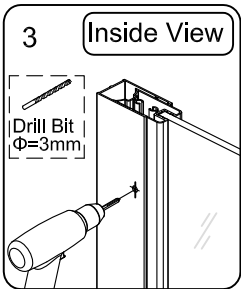
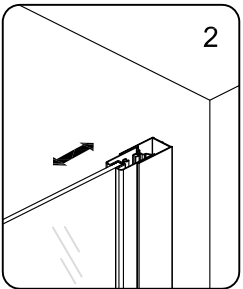
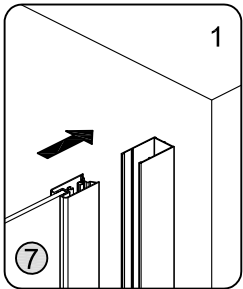
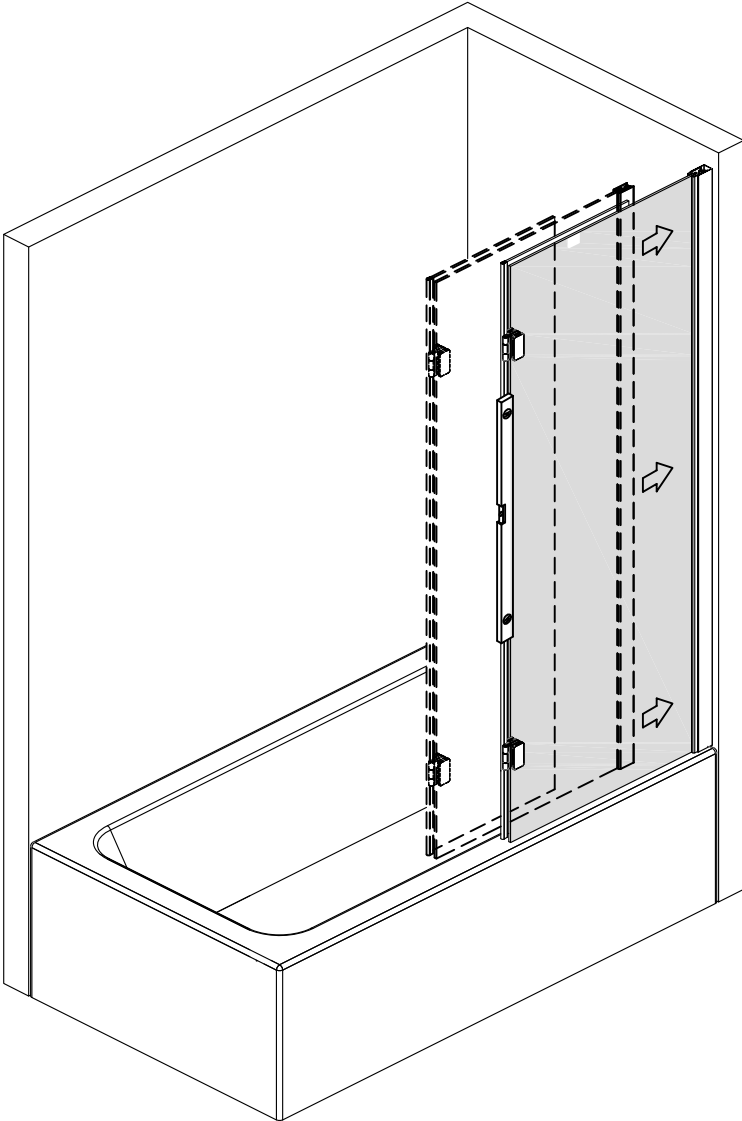
Reinstall the moving panel .



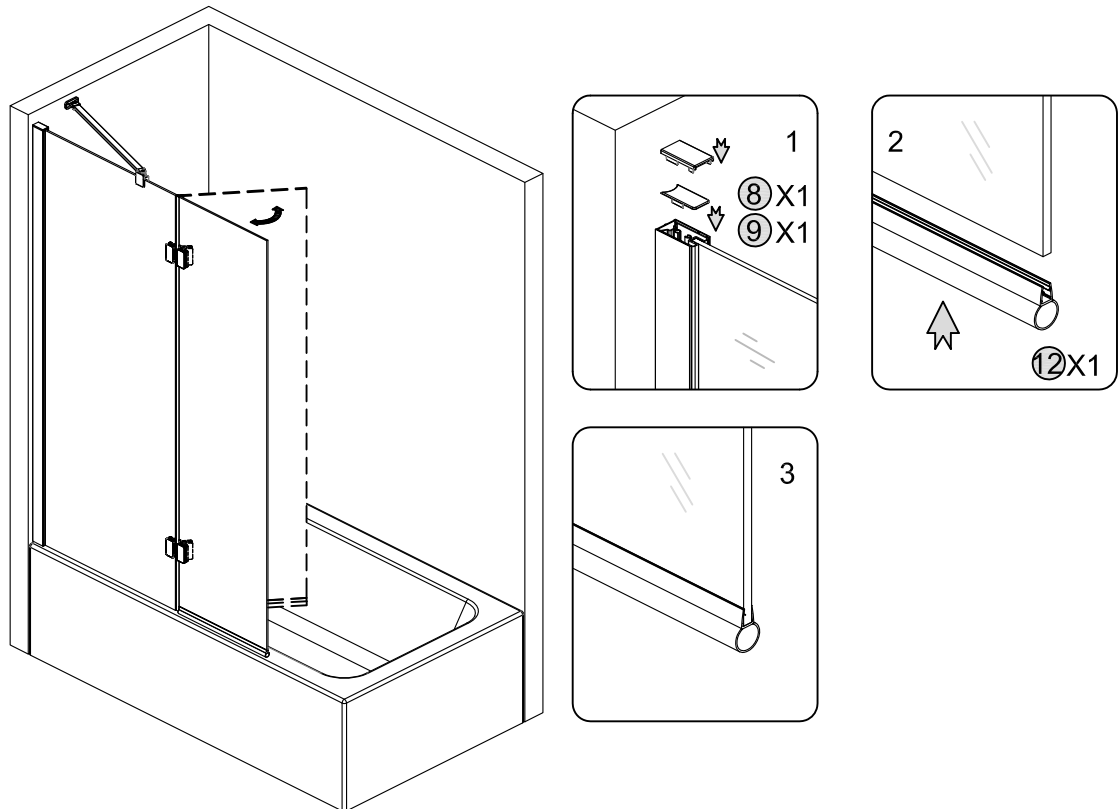
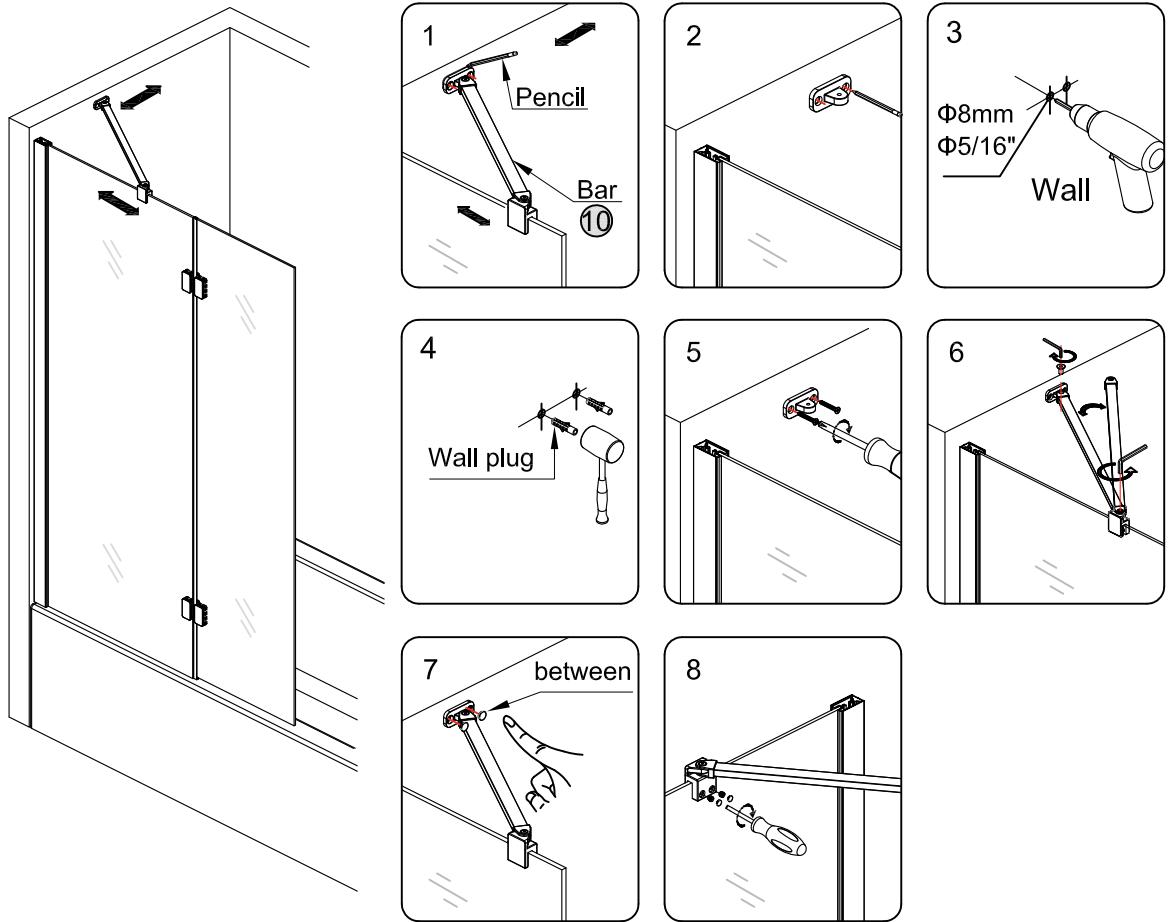
Inside View



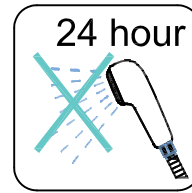
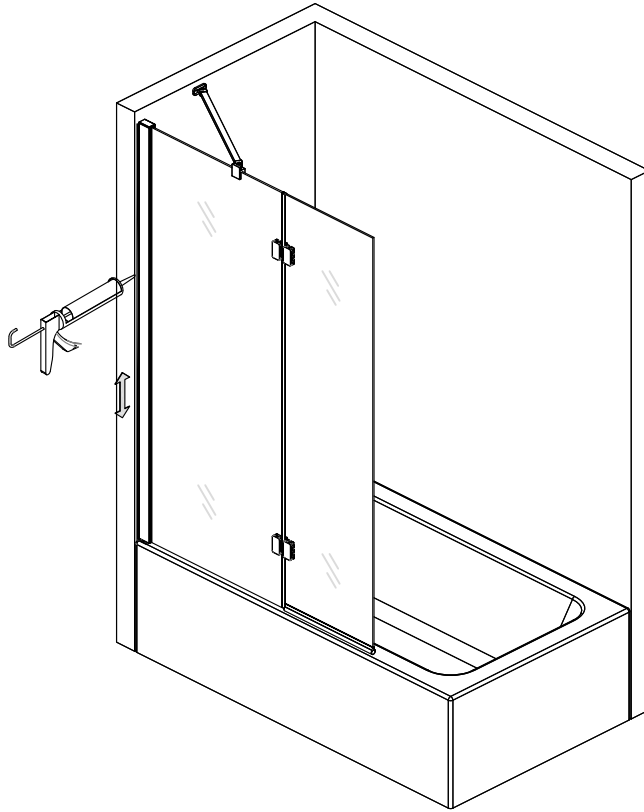
**Important – Please Read**



# Important – Please Read

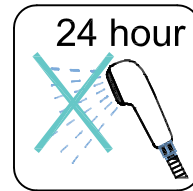
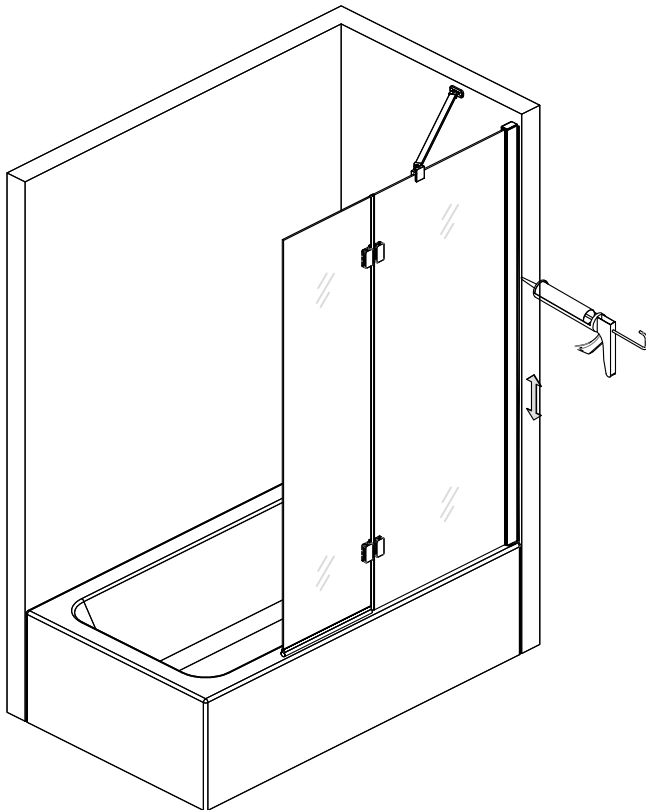


## Important – Please Read



! Apply Silicone Sealant,(not supplied).

! Apply Silicone Sealant vertically between Wall Channel and wall,bath and wall channel.



! Apply Silicone Sealant,(not supplied).

! Apply Silicone Sealant vertically between Wall Channel and wall,bath and wall channel.