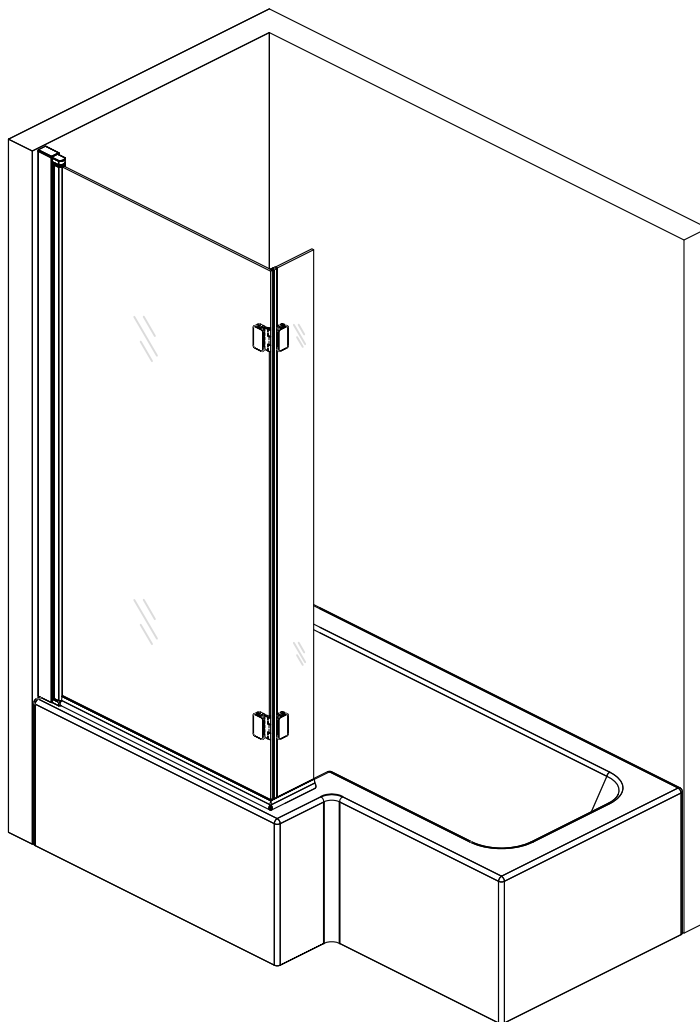


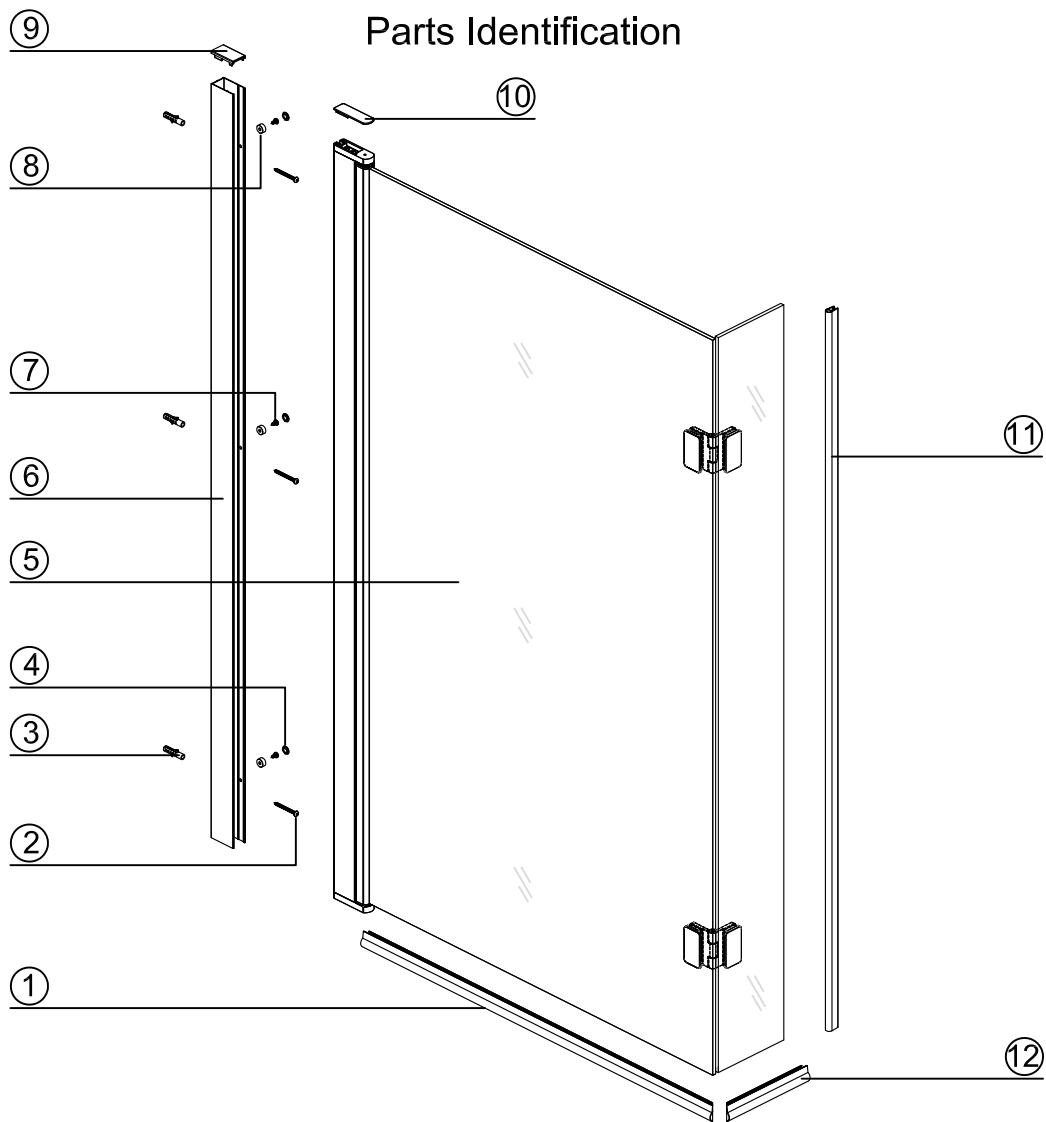
Important – Please Read



C0391-A00-01

If you need further help , Please contact your local depot www.ctb.co.uk

Important – Please Read



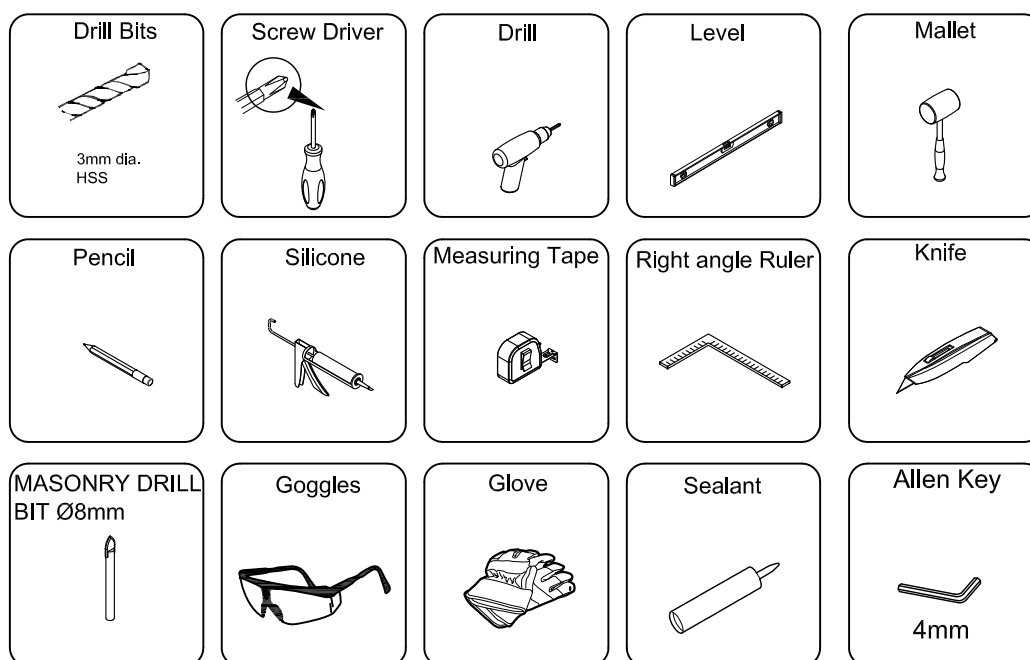
Components List

No.	Drawing	Description	Qty
1		PVC seal (long) "A"	1
2		No.8x1 3/4" Pozi Pan Screw	3
3		Wall plug	3
4		Cover Cap	3
5		Door Glass	1
6		Wall Profile	1
7		No. 8x 3/8" Pozi Pan Screw	3
8		Fitting	3
9		Profile Cap	1
10		Vertical Stile Cap	1
11		PVC seal "B"	1
12		PVC seal (short) "A"	1

If you need further help , Please contact your local depot www.ctb.co.uk

Important – Please Read

Tools required



Things to check before you start

*Check that the bath has been installed correctly and that it is level, tiled down onto and sealed to the manufacturer's guidelines.

***check**

*Ensure the product is fitted to a non-porous surface ie. tiled and that the shower area is water proof. Check that the wall surface is flat.

*Unpack and check the product is complete and undamaged.

*Please check you are happy with the product before installing it.

*Fixings are supplied for solid walls only. Ensure that the correct fixings are used for the wall type.
–if in doubt seek professional advice

*Ensure the area is clean, dry and dust free.

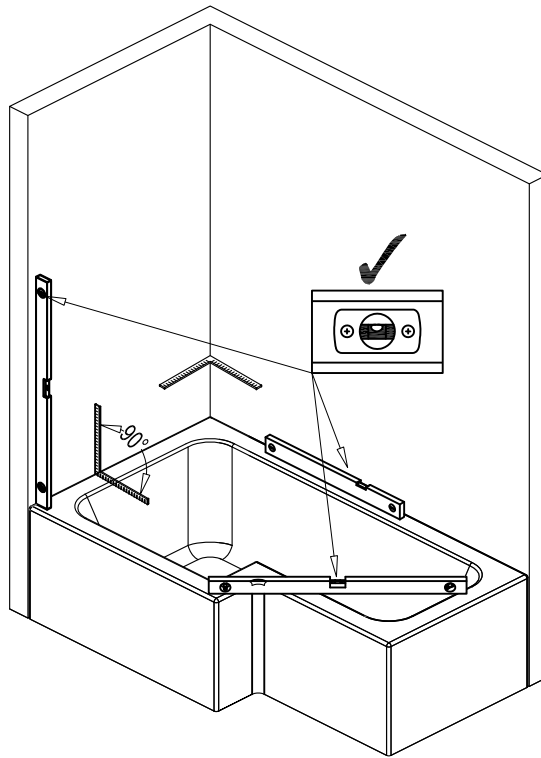
*Read the instructions in full.

*Have the correct tools available, see "Tools Required"

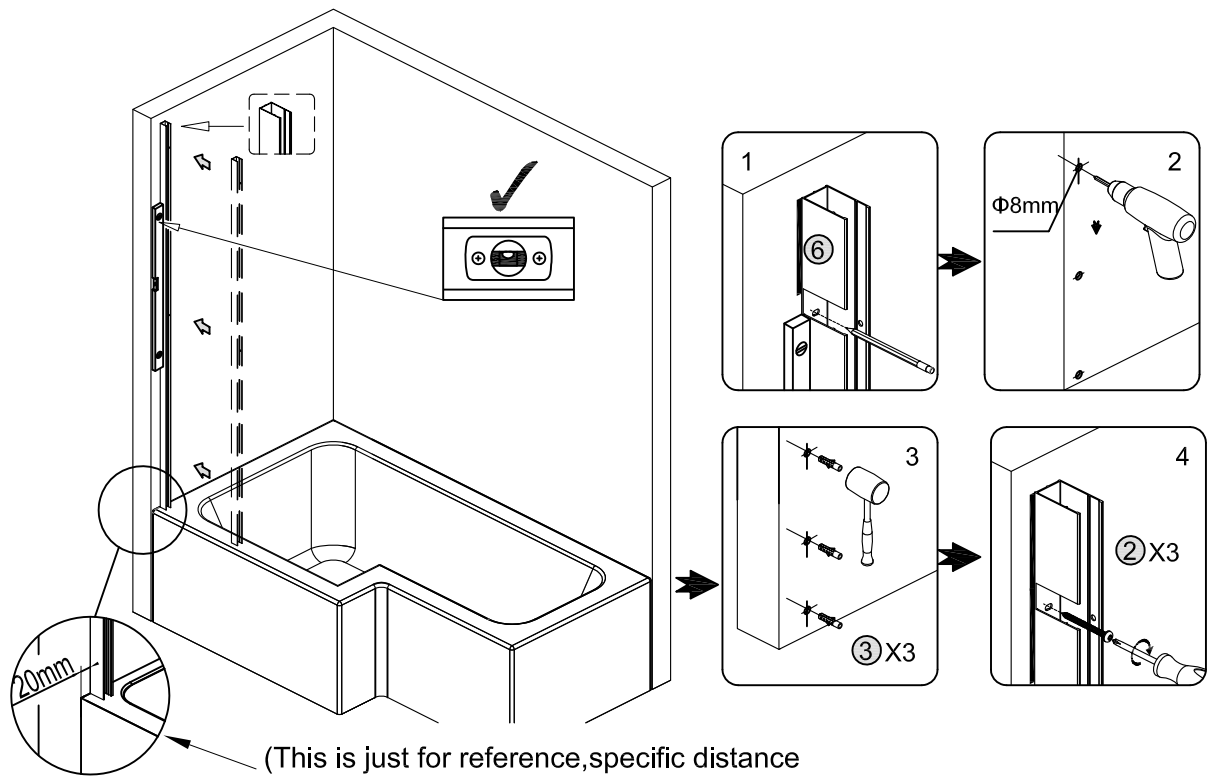
*Please dispose of all packaging with due regard to the environment.

If you need further help , Please contact your local depot www.ctb.co.uk

LEVEL



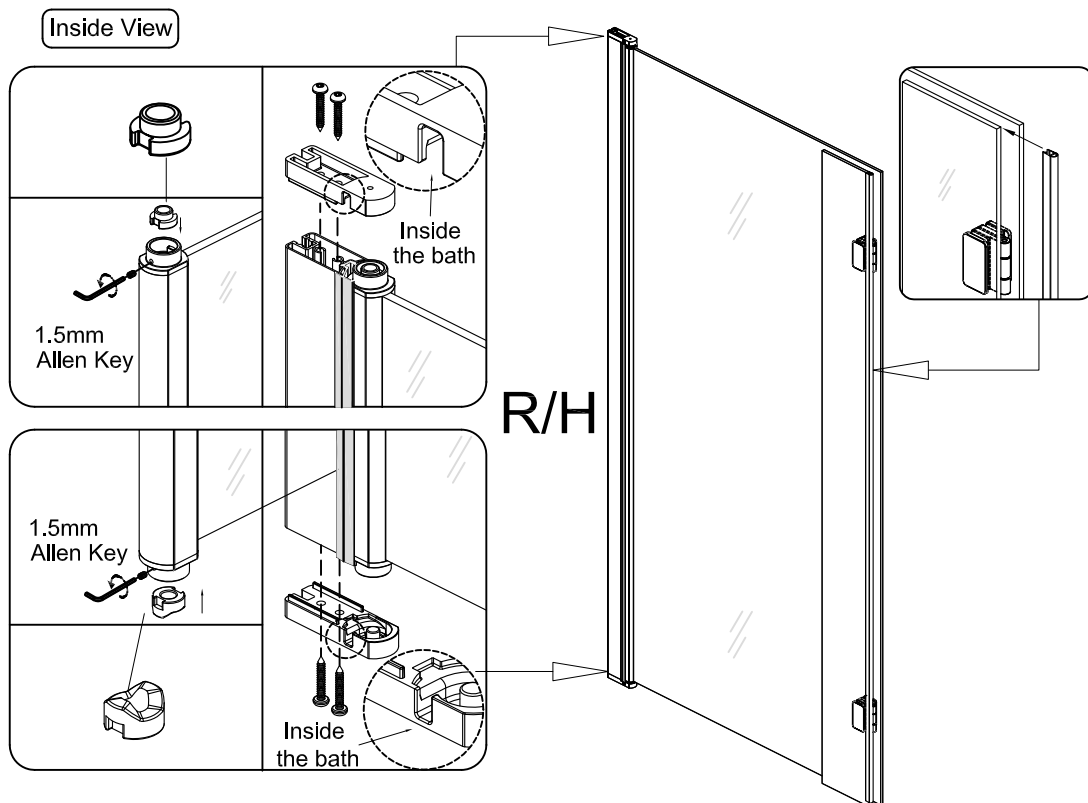
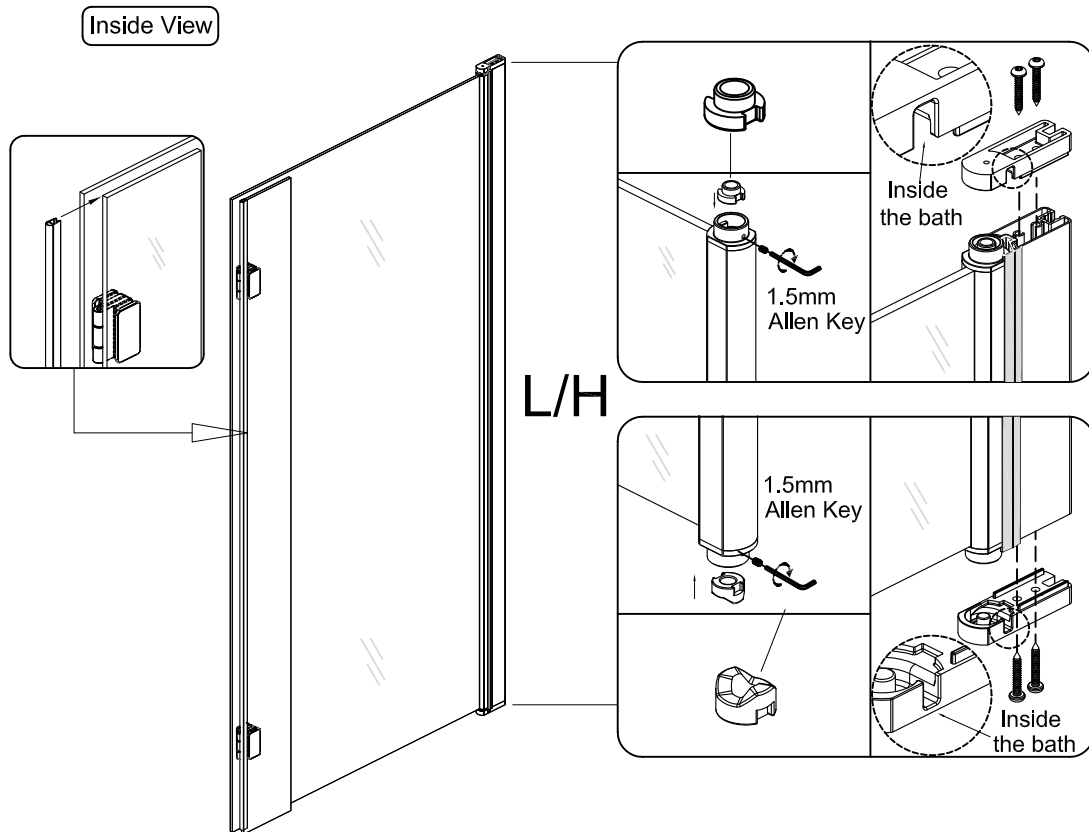
Verify screen location is level, plumb, and square. Check dimensions of bath to ensure proper fit of screen



(This is just for reference, specific distance is depending on the fixing on site.)

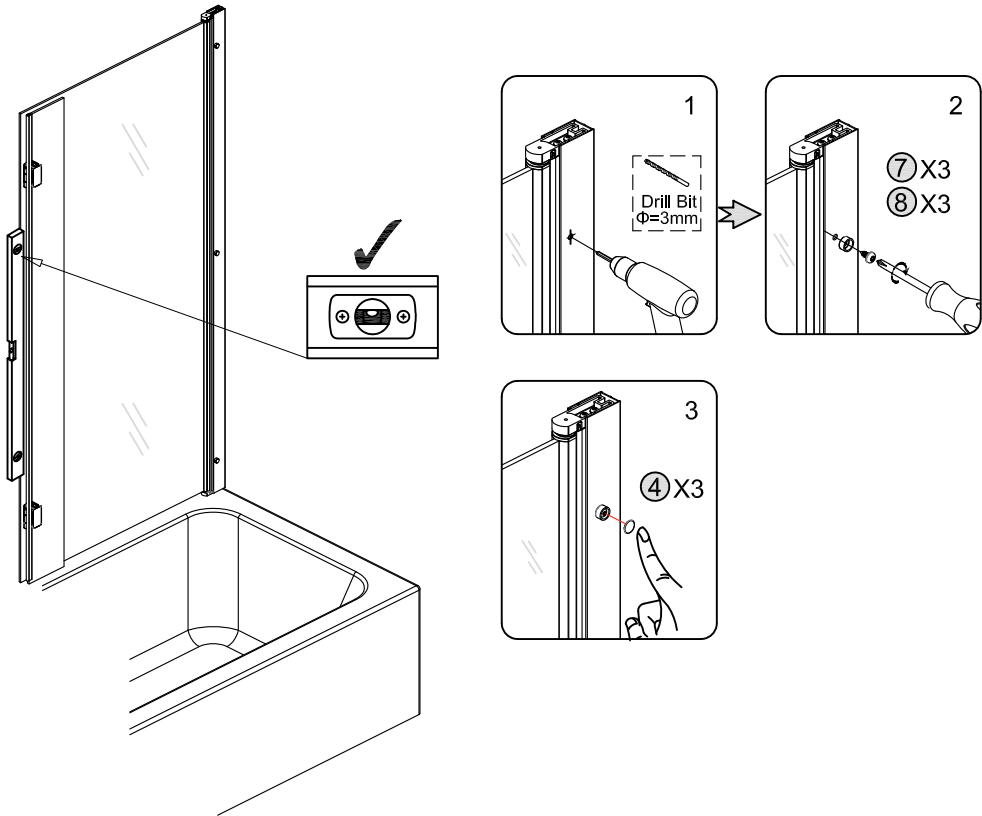
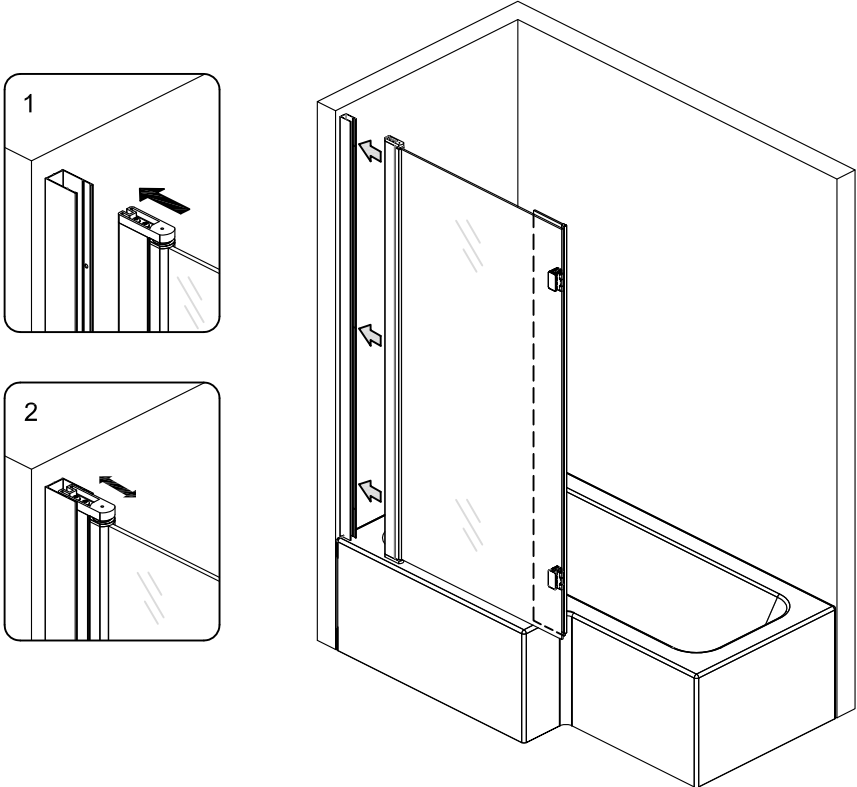
If you need further help , Please contact your local depot www.ctb.co.uk

Installation



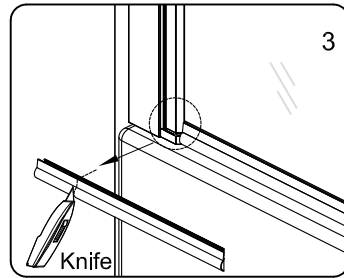
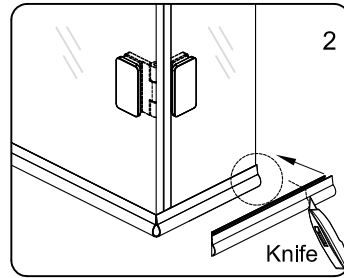
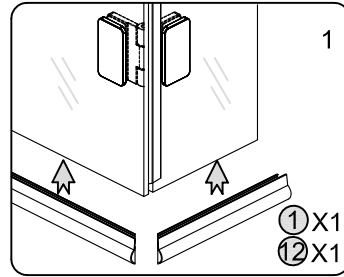
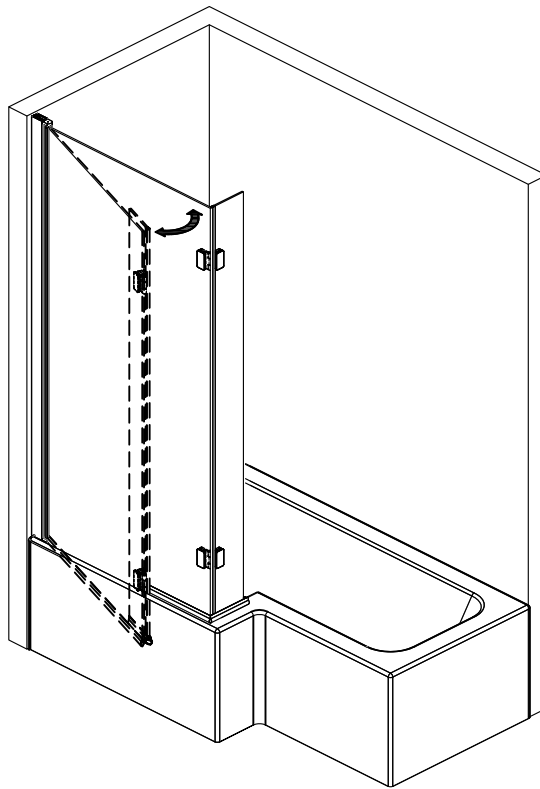
If you need further help , Please contact your local depot www.ctb.co.uk

Installation Door Glass

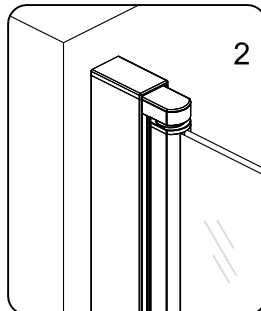
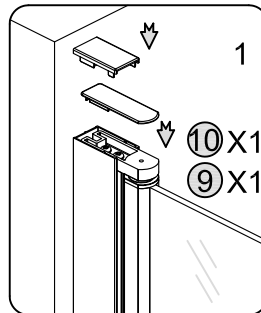
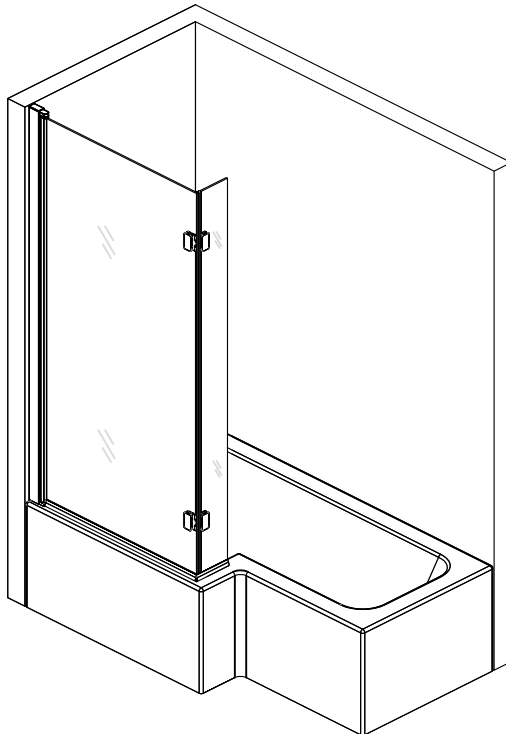


If you need further help , Please contact your local depot www.ctb.co.uk

Installation PVC seal

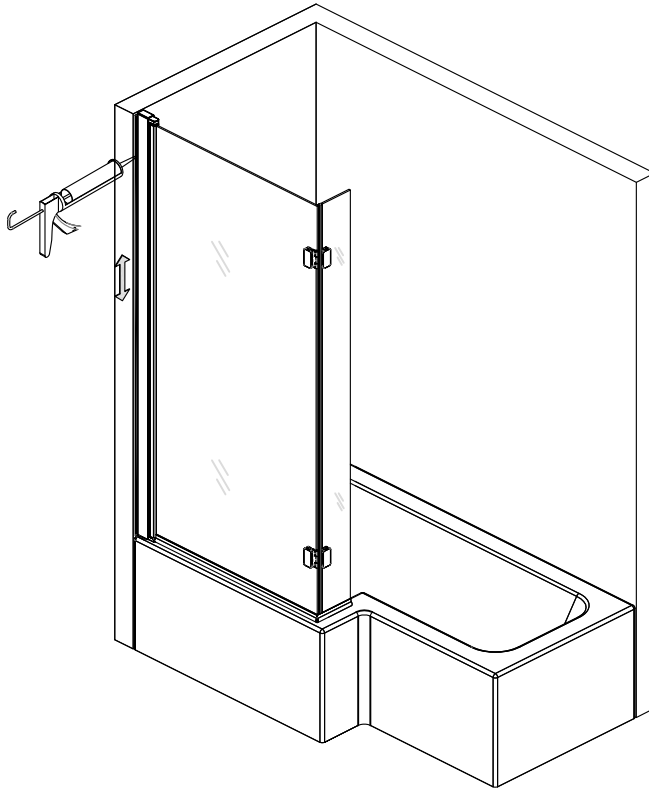


Installation Profile Cap



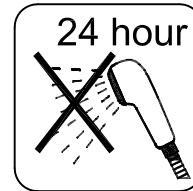
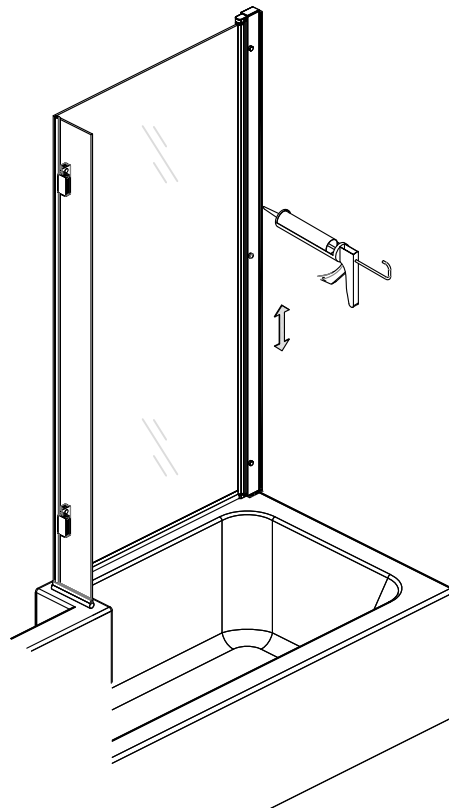
If you need further help , Please contact your local depot www.ctb.co.uk

Sealing



! Apply Silicone Sealant, (not supplied).

! Apply Silicone Sealant vertically between Wall Channel and wall



! Apply Silicone Sealant, (not supplied).

! Apply Silicone Sealant vertically between Wall Channel and wall

If you need further help , Please contact your local depot www.ctb.co.uk