

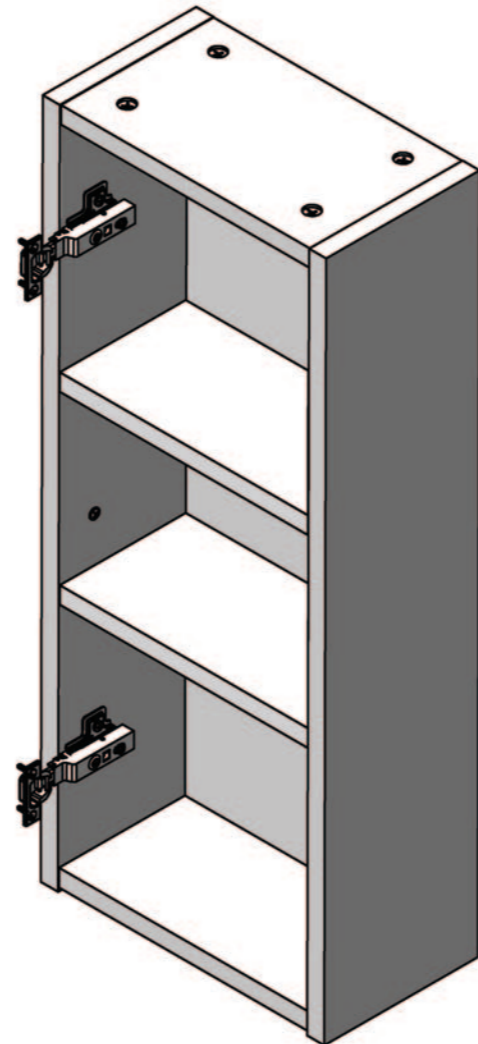
150, 300 & 400 WALL UNITS

PLEASE READ. Carefully open the packs supplied and check the contents against the Fittings Checklist before discarding any packaging. To maintain the appearance of the units dust regularly with a soft cloth. For grime stains wipe with soft damp cloth using a mild detergent.

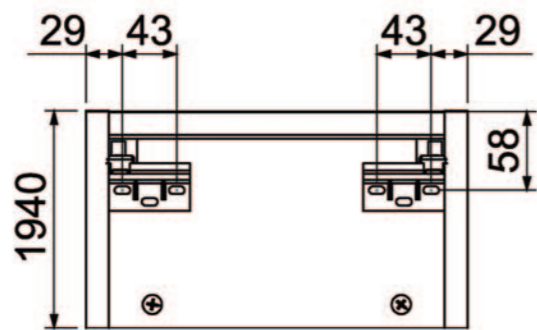
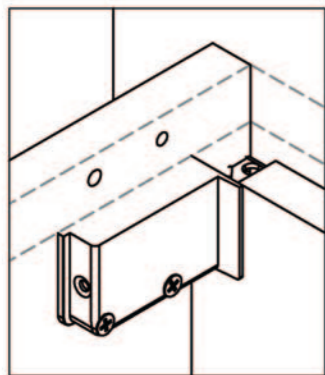
NOTE: Any additional components left after assembly maybe required for installation-do not discard.

CAUTION: Some Fittings are small enough to choke a child

1.		Wall Plate	2
2.		Hinge Plate	2
3.		Door Buffers	1
4.		Connecting Bolt	2
5.		12mm C/Sunk Screw	16
6.		Hinge	2
7.		Shelf Support	8



1. Positioning, Leveling & Fixing



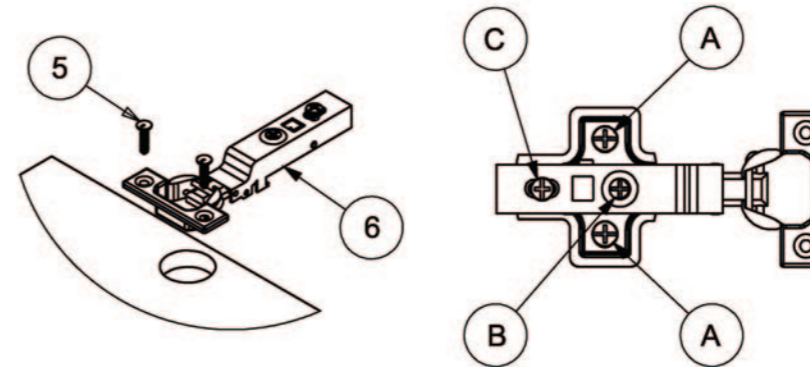
Fix Hanging plates (1) to the wall using suitable fixings (not supplied).

Level and join adjacent units by drilling through both cabinets with a 5mm drill bit and using connecting bolts (4).

Note: 1940mm is the measurement from the floor to the top of the Wall Cabinet.

2. Hinges & Hinge Adjustment

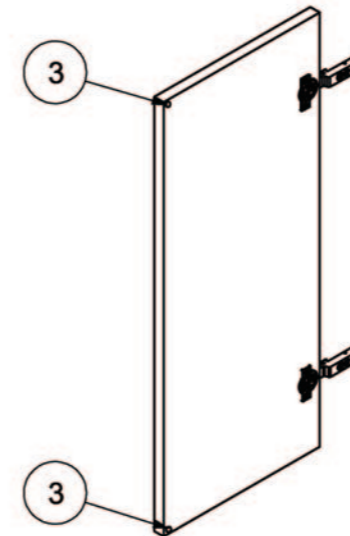
(Note: Fascias supplied separately)



Adjustments apply when door is mounted.

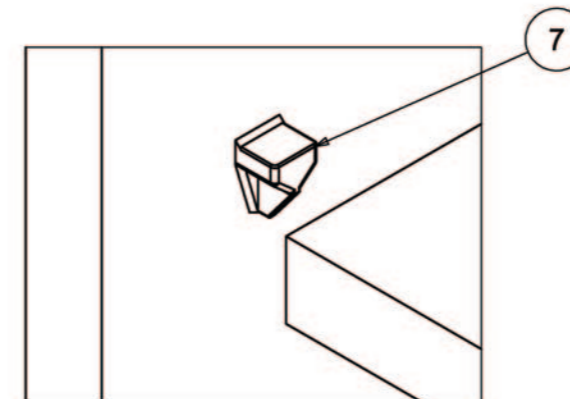
A. Adjusts door Vertically.
B. Adjusts door horizontally.
C. Adjusts door in & out.

3. Door Buffers



Position Door Buffers (3) at the top and bottom of each mounted door.

4. Shelf Supports



Select desired shelf position and insert Shelf Supports (7). Place the Shelf Panel on top of the Shelf Supports.