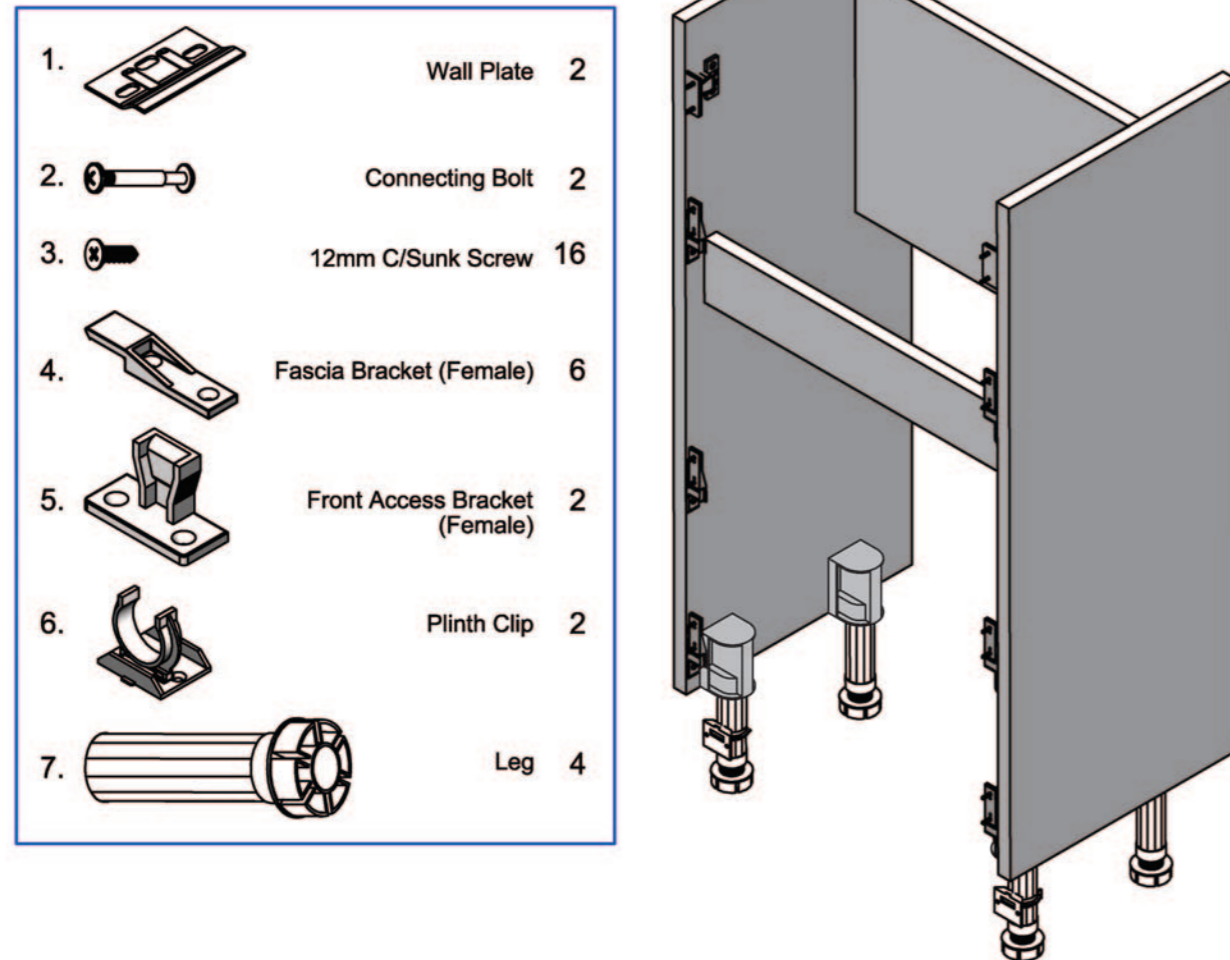


## 500 Spacesaver & 600 W.C. UNITS

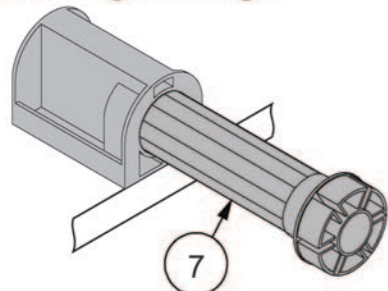
PLEASE READ. Carefully open the packs supplied and check the contents against the Fittings Checklist before discarding any packaging. To maintain the appearance of the units dust regularly with a soft cloth. For grime stains wipe with soft damp cloth using a mild detergent.

NOTE: Any additional components left after assembly maybe required for installation-do not discard.

CAUTION: Some Fittings are small enough to choke a child.

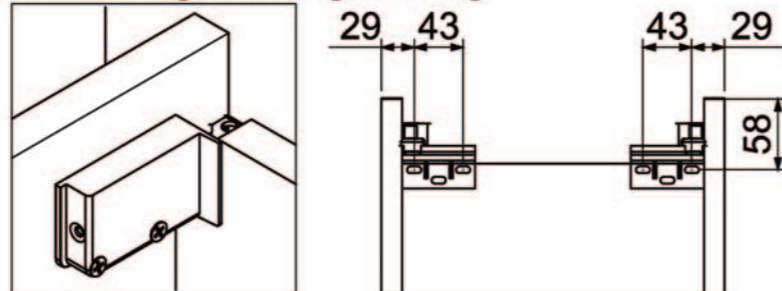


### 1. Attaching the Legs



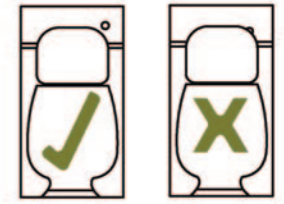
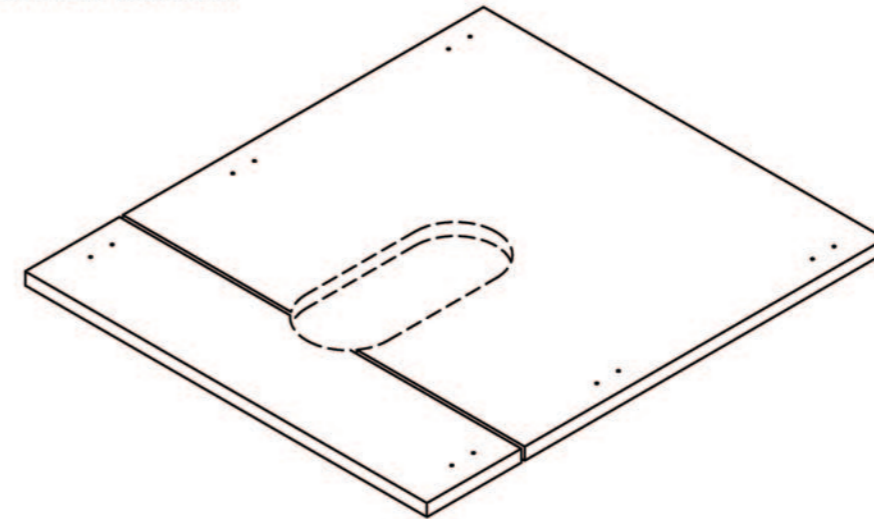
Insert the Legs (7) into the sockets on the side panels. Use brackets (6) and screws (3) to secure the plinth to the legs.

### 2. Positioning, Leveling & Fixing



Fix Hanging plates (1) to the wall using suitable fixings (not supplied). Level and join adjacent units by drilling through both cabinets with a 5mm drill bit and using connecting bolts (2).

### 3. Pan Cut Out



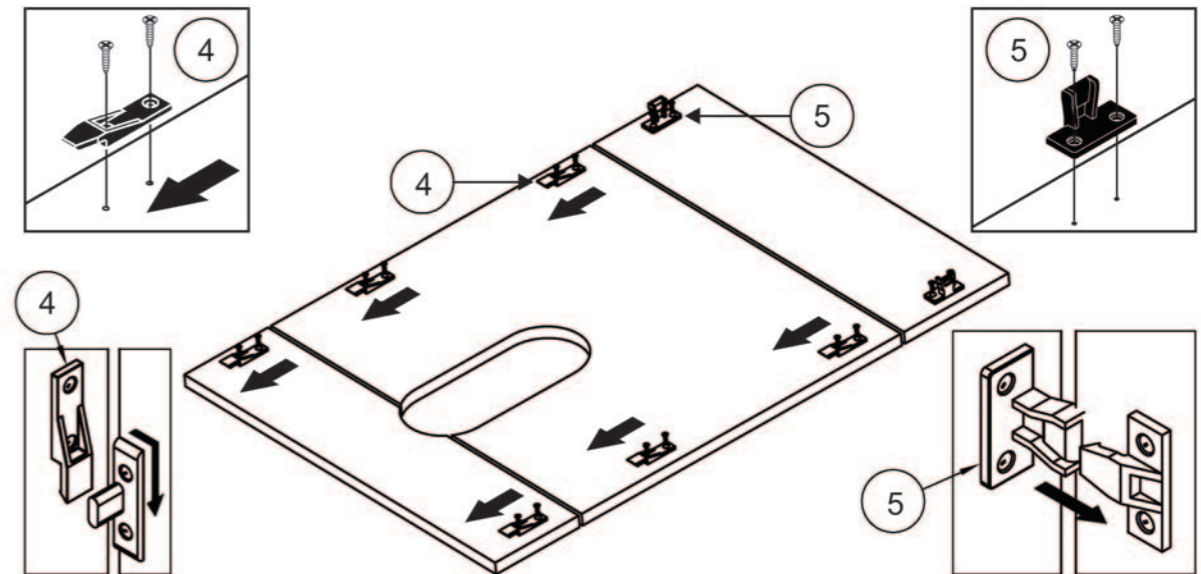
When fitting flush mechanism ensure the button or lever is clear of the toilet seat.

Mark out and cut for the waste outlet on the large central fascia panel and bottom fascia. Take dimensions from the centre of the panel to ensure the Pan is fitted centrally to the unit.

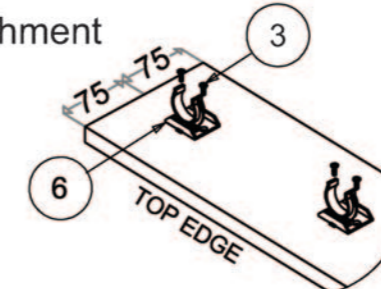
NOTE: After cutting or drilling ensure all raw edges are sealed (cut-out shown is an example).

### 4. Fascia Attachment

Attach Fascia Brackets (4) & (5) to the fascia panels with screws (5). The positions are pin marked on the fascias. Position the brackets as shown in the drawings. Clip the fascias to the unit, attaching the bottom fascia first.



### 5. Plinth Attachment



Position Plinth Mounting Brackets (7) 75mm from the top edge of the plinth and align length ways with the cabinet legs. Attach using screw (5).