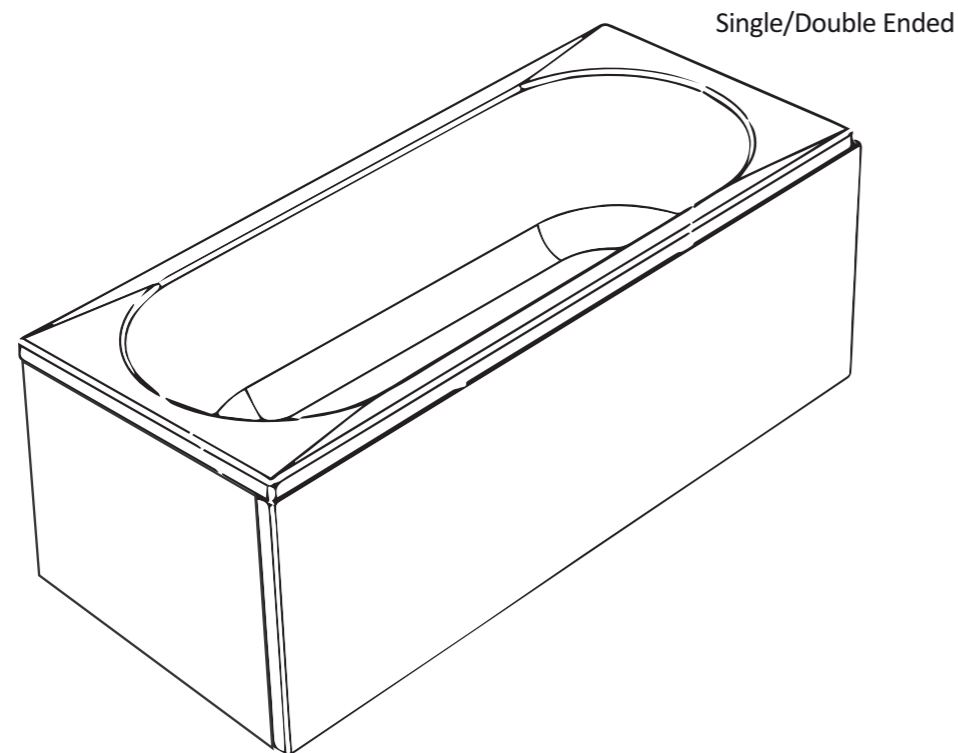


Standard Bath Panel Installation Instructions

- Read through the instruction booklet first before commencing any work. If you are unsure of any aspect of the installation, we recommend you contact a reputable tradesperson.
- Prior to fitting your panel, carefully remove all the packaging and film from the panel and examine the panel for damage and suitability of colour match.
- Check the panel fit and match prior to installation.
- Any refixing costs or claims for wrong colour match and/or any other fault will not be accepted after fixing.

No claims for the above will be accepted once the bath is fitted.



Standard Bath Panel Installation Instructions

Before you start

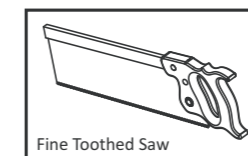
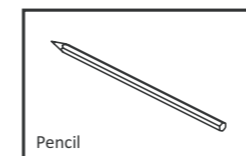
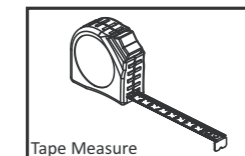
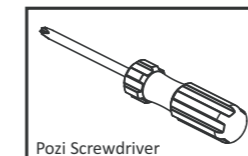
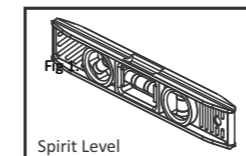
- Before fixing remove ALL protective covering and examine carefully. The polythene film must be removed in full and the panel checked for any visible damage.
- Unpack and check the product is complete and undamaged.
- Have the correct tools available.
- Please notify the retailer immediately of any damage or faults. The manufacturer cannot be held responsible for any installation costs that may arise from damaged or faulty product being installed. The guarantee does not cover impact related damage. Please dispose of all packaging with due regard to the environment.

Please note: Read the installation instruction first. Although these instructions are comprehensive, it is always recommended that a technically competent installer should undertake installation.

Safety Information

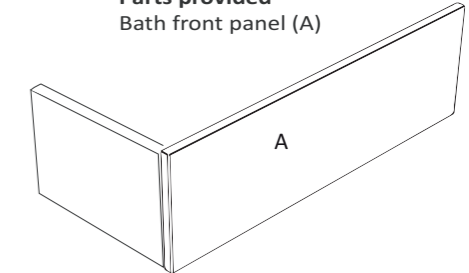
- Handle the bath with care.
- This product is heavy and requires two persons to carry.
- When drilling walls, check first for hidden pipes and cables.
- Use safety wear eye protection when drilling.
- Keep small parts away from children.

Tools required (not supplied)



Parts provided

Bath front panel (A)

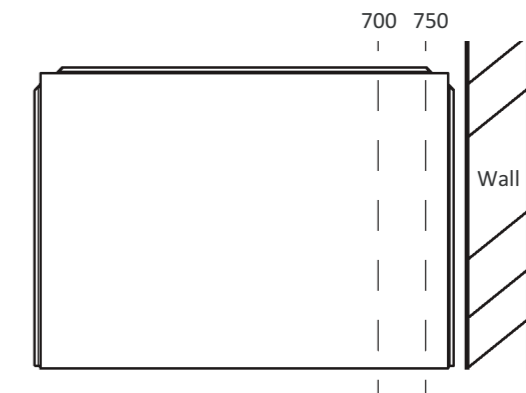


Use appropriate panel for bath, (end panel supplied seperately).

Parts Required (not supplied)

Suitable rebated batten for fixing panel to the floor.

To create a 700 or 750mm finish, trim the end panel to suit at the wallside using a small fine toothed saw or shape knife. It is recommended that sizes are checked prior to cutting and fitting to prevent mistakes from occurring.



- We have taken great care to ensure that this product reaches you in perfect condition. However should any parts be damaged or missing please contact your point of purchase. This does not affect your statutory rights. In addition if you require replacement parts your point of purchase will be happy to assist.

Should the cutting of panels be necessary (due to water pipes or skirting board) a small fine toothed saw or sharp knife is recommended.

Assembly

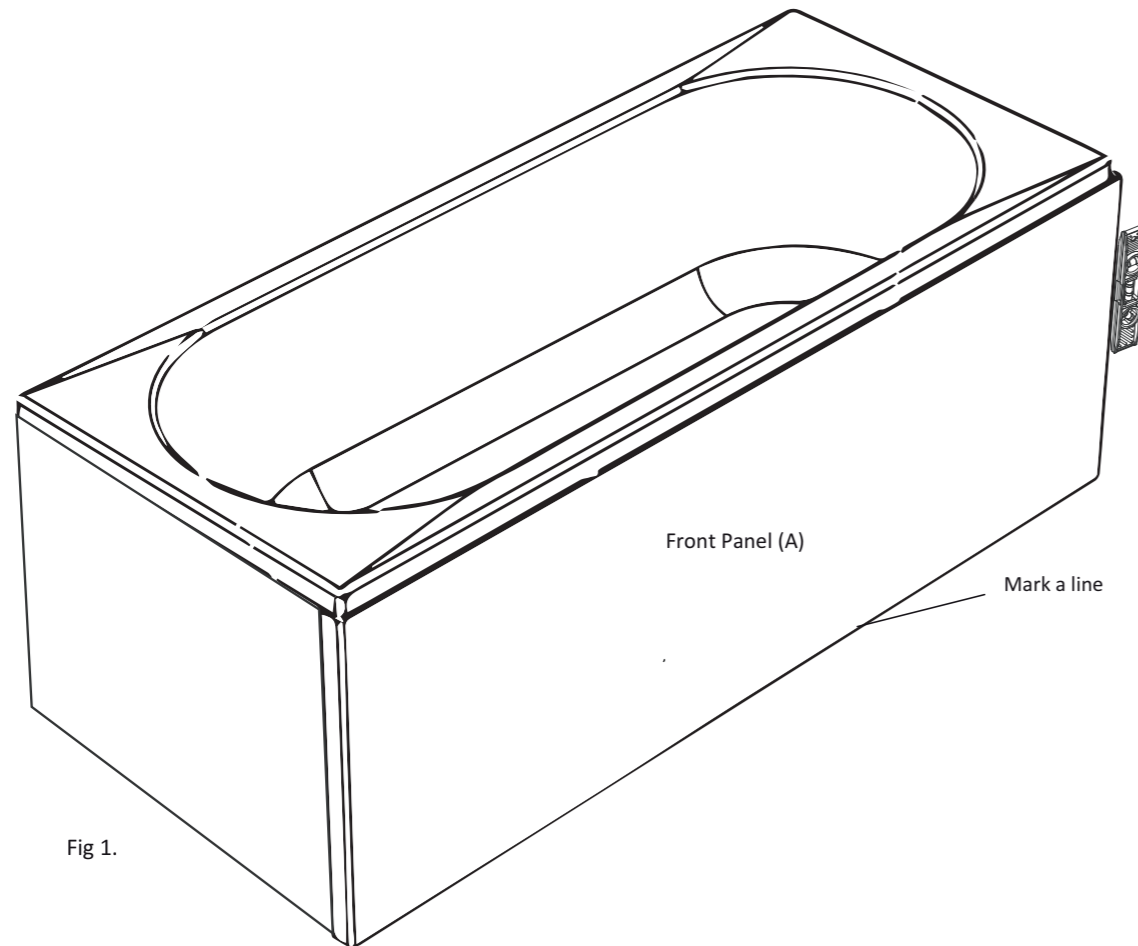


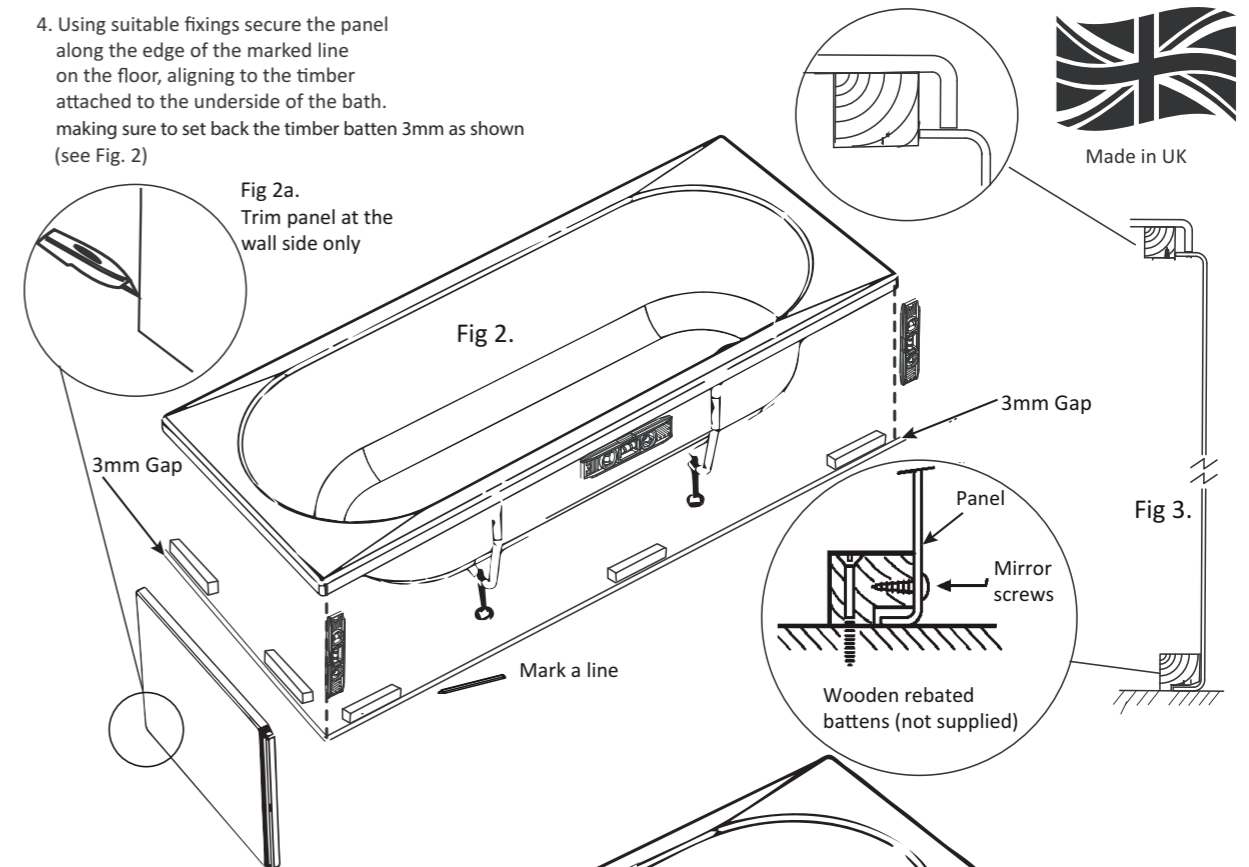
Fig 1.

1. Place the bath panel into position.
(See Fig. 1)
2. Ensure that the panel is vertical using a spirit level.

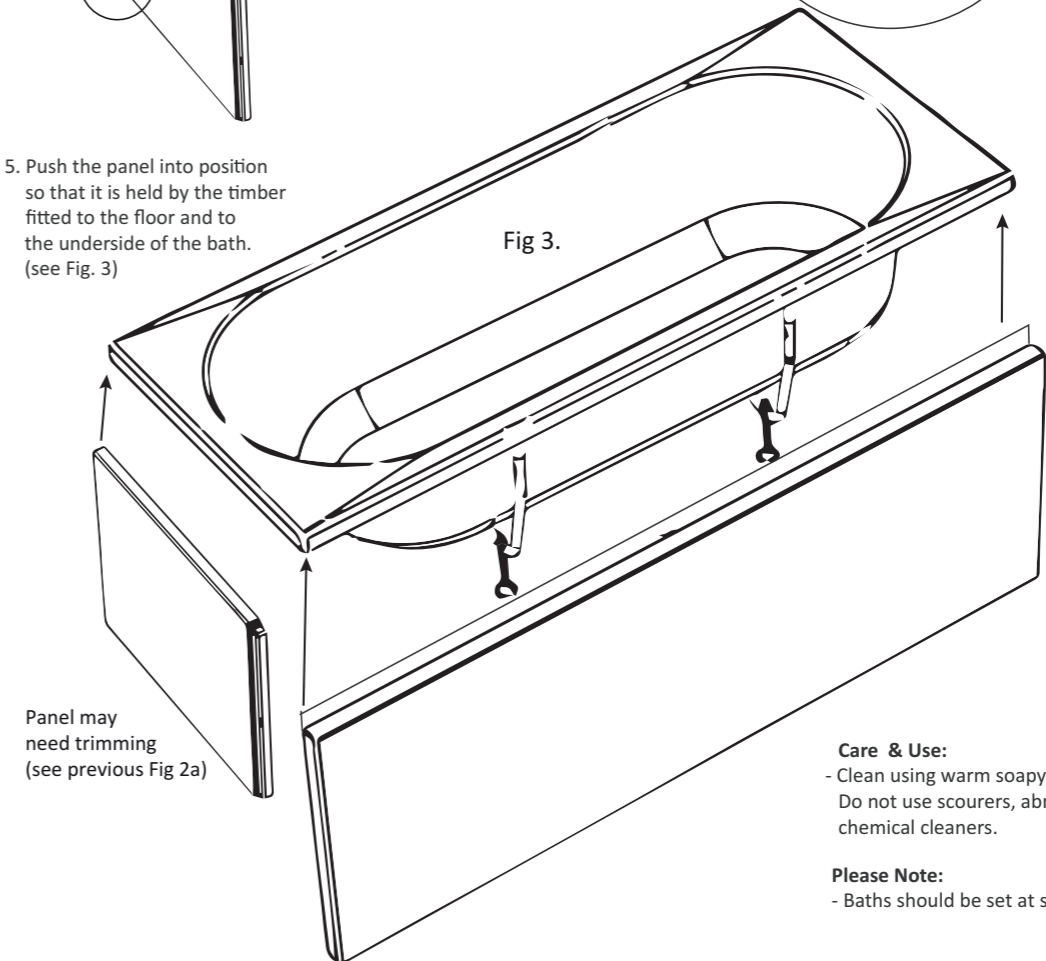
Note - If fitting both the end and front panel check that the end panel is located behind the front panel at the corner joint.

3. Mark a line on the floor along the length of the panel then remove the panel.
(See Fig. 1)

4. Using suitable fixings secure the panel along the edge of the marked line on the floor, aligning to the timber attached to the underside of the bath, making sure to set back the timber batten 3mm as shown (see Fig. 2)



5. Push the panel into position so that it is held by the timber fitted to the floor and to the underside of the bath.
(see Fig. 3)



Care & Use:
- Clean using warm soapy water only.
Do not use scourers, abrasives or chemical cleaners.

Please Note:
- Baths should be set at supplied panel height.