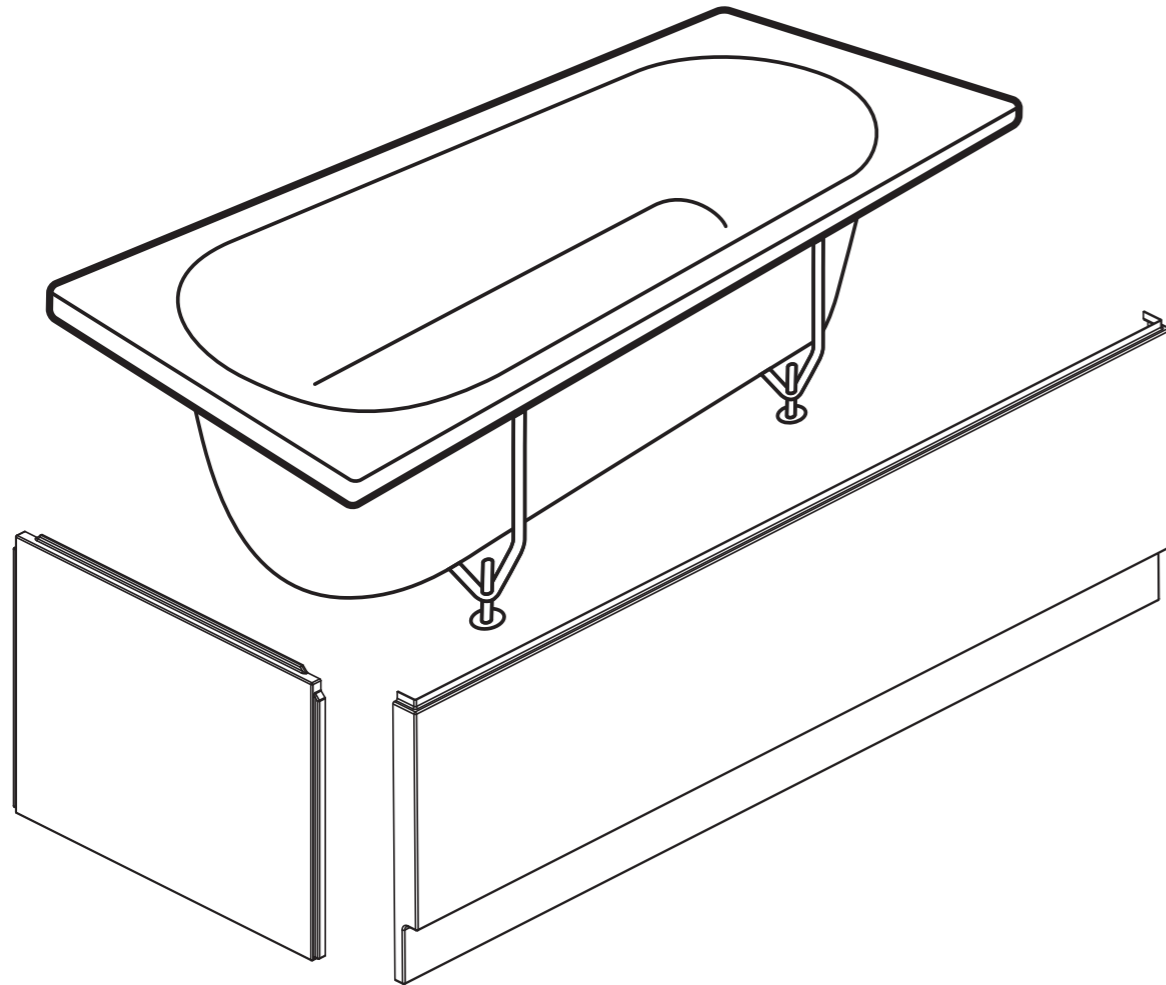


Bath Panel Fixing Installation Instructions

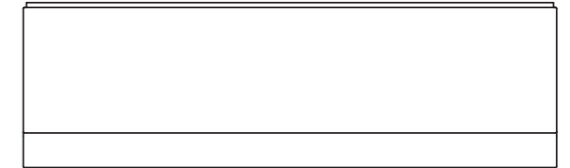


Bath Panel Fixing Installation Instructions

Before you start

- Before fixing panel remove All protective covering and examine carefully. The polythene film must be removed in full and the panel checked for any visible damage.
- Unpack and check the product is complete and undamaged.
- Have the correct tools available.

Fig. A

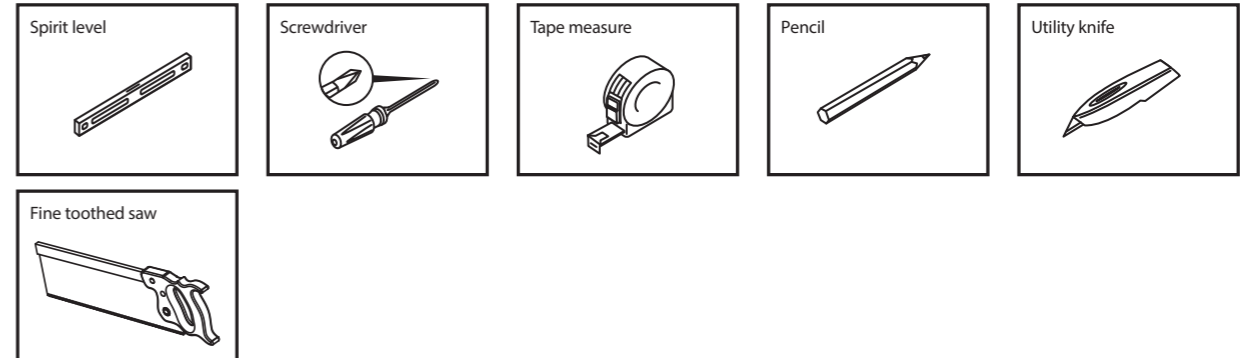


Disclaimer

- Prior to fitting your panel, carefully remove all the packaging and film from the panel and examine the bath for damage and suitability of colour match.
- Check the panel fit and match prior to installation.
- Any refixing costs or claims for wrong colour match, and/or any other faults will not be accepted after fixing.

No claims for the above will be accepted once the panel is fitted

Tools required - not supplied



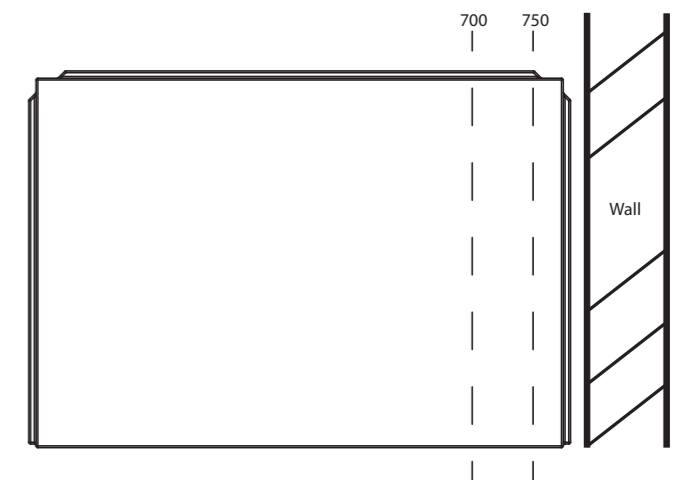
You will also require a piece of timber and some wooden rebated blocks

Trimming the universal end panel

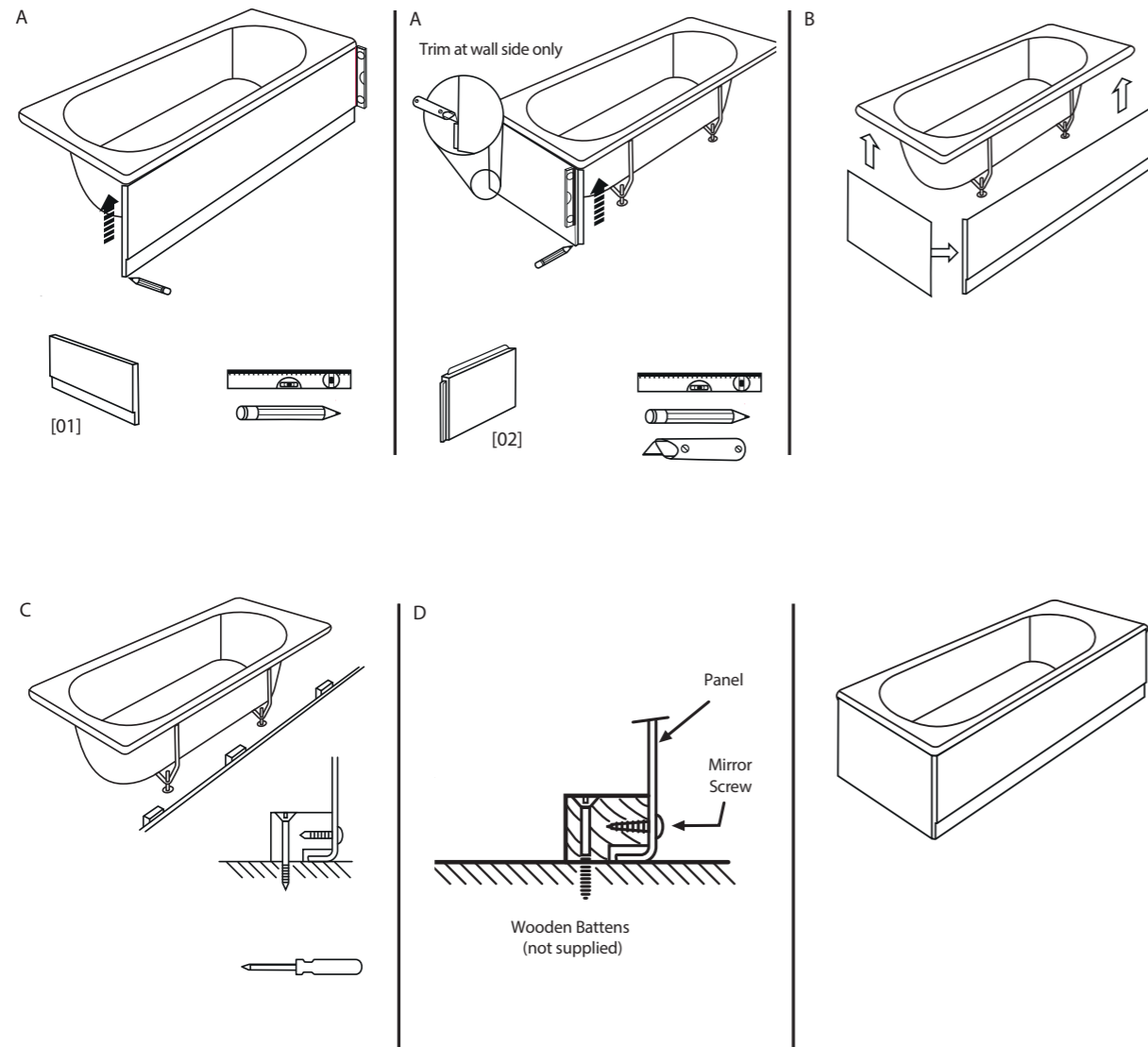
To create a 700 or 750 finish, trim the end panel to suit at the wall side using a small fine toothed saw or sharp knife.

It is recommended that sizes are checked prior to cutting and fitting to prevent mistakes from occurring.

Please note image shown opposite is for illustrative purposes only.



Panel fitting instructions



Should the cutting of panels be necessary (due to water pipes or skirting boards) a small fine toothed saw or sharp knife is recommended.

- A. Fit both panels in position, locate top flanges of the panels between bath frame and rim of bath.
- B. Ensure that both panels are set vertical and that the end panel is located behind the front panel at corner joint.

- C. To secure the panel to the wall use a piece of timber secured to the wall vertically. For the floor we recommend some rebated blocks set equal distances apart.
- D. Small mirror screws can be used to secure the panel against the timber. Alternatively Velcro or Magnetic strips will secure in a neat fashion.

Illustrations and specifications are for reference only.

**Bath Panel Fixing
Installation Instructions**

Panel fitting instructions

