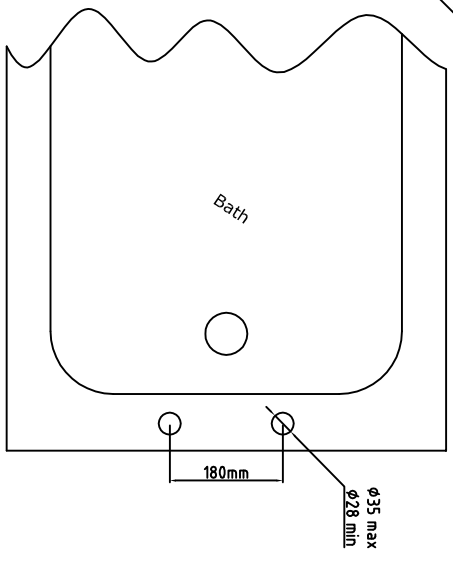
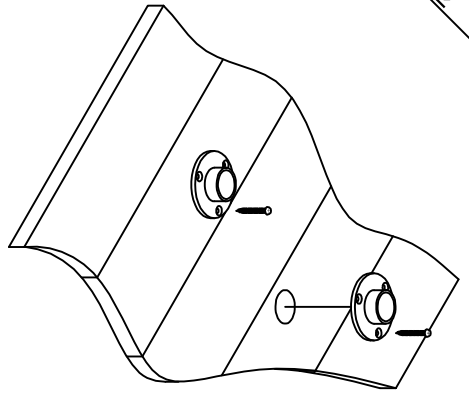


Step 1



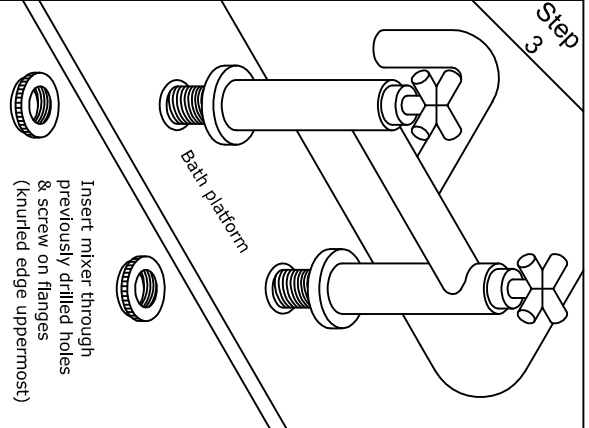
Drill two holes centrally in bath platform as shown and drill similar holes in floor directly below bath holes

Step 2



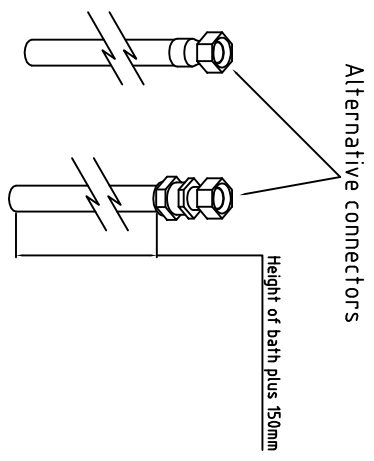
Screw pipe flanges to floor, directly above previously drilled holes.

Step 3



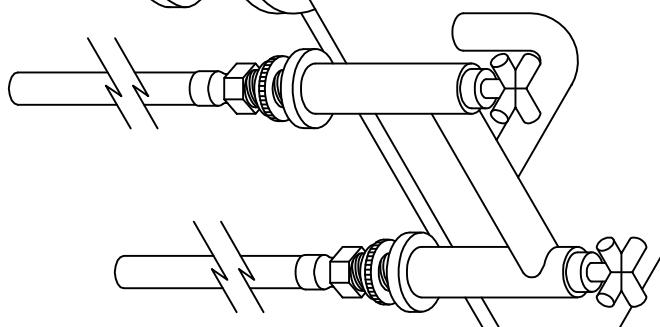
Insert mixer through previously drilled holes & screw on flanges (knurled edge uppermost)

Step 4



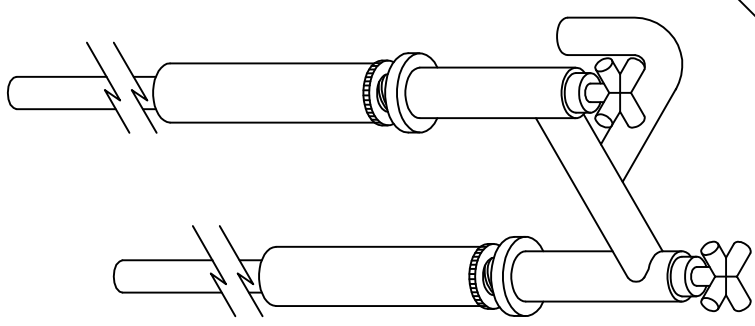
Using the end feed solder connector or the compression alternative, connect the 22mm feed pipes

Step 5



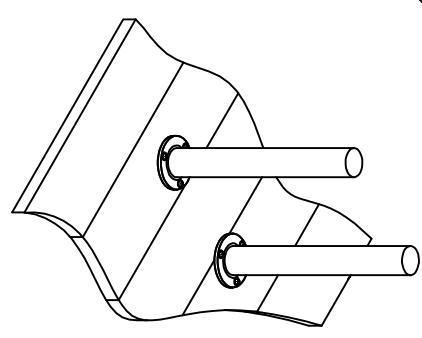
(Bath platform shown cut-away for clarity)
Screw the two assembled feed pipes to the tap tails, ensuring the fibre washers are in place. You may need to firstly place the feedpipes in the floor holes to achieve this step

Step 6



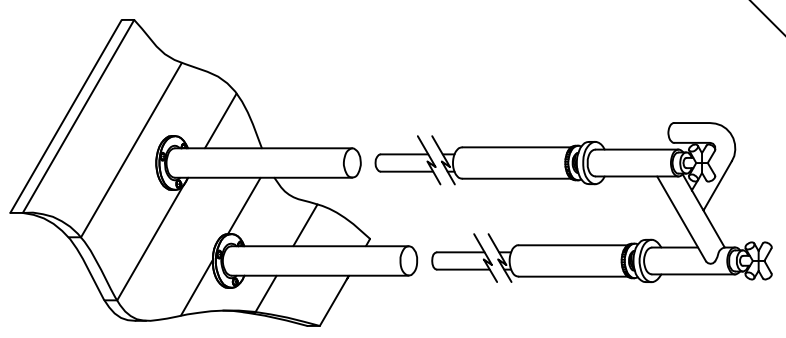
Screw the shorter of the tubes on to the upper knurled flanges (bath not shown for clarity)

Step 7



Place the longer of the tubes over the pipe flanges

Step 8



With the aid of an assistant, lift the bath & place the mixer/feed tube assembly over the floor tubes. The shorter tubes fitted at Step 6 slide over the longer pipes fitted at Step 7. Bath not shown for clarity.

DA314 Assembly Instructions