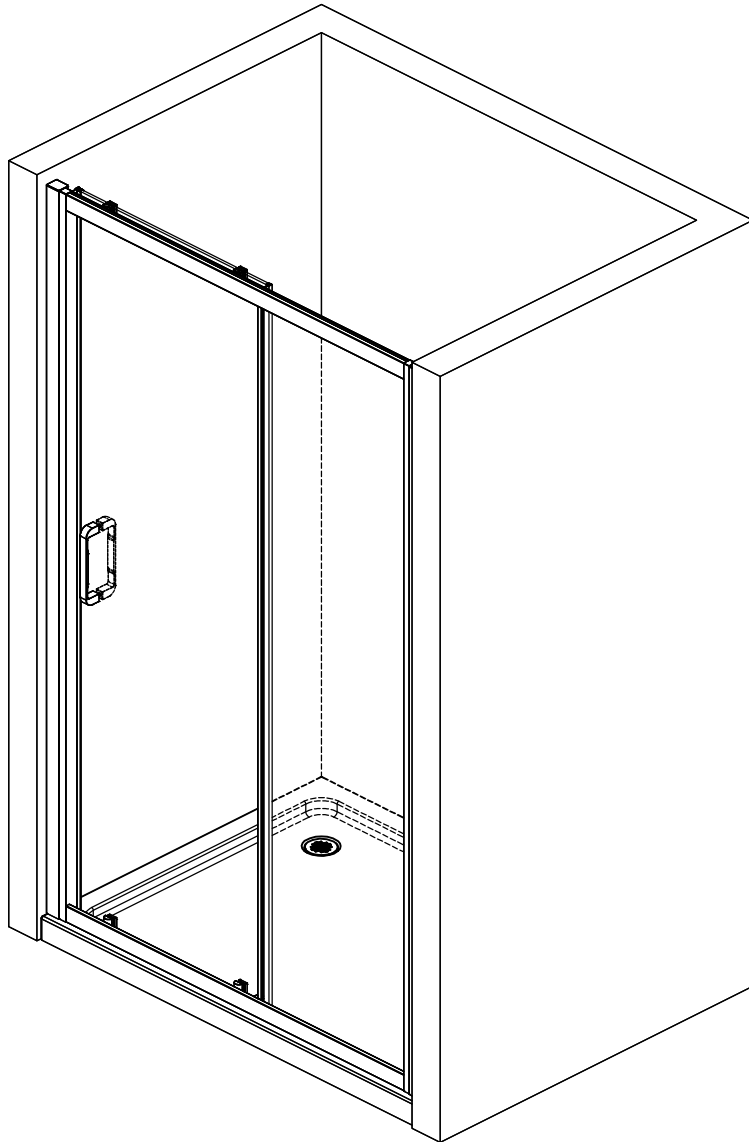


# INSTALLATION INSTRUCTION

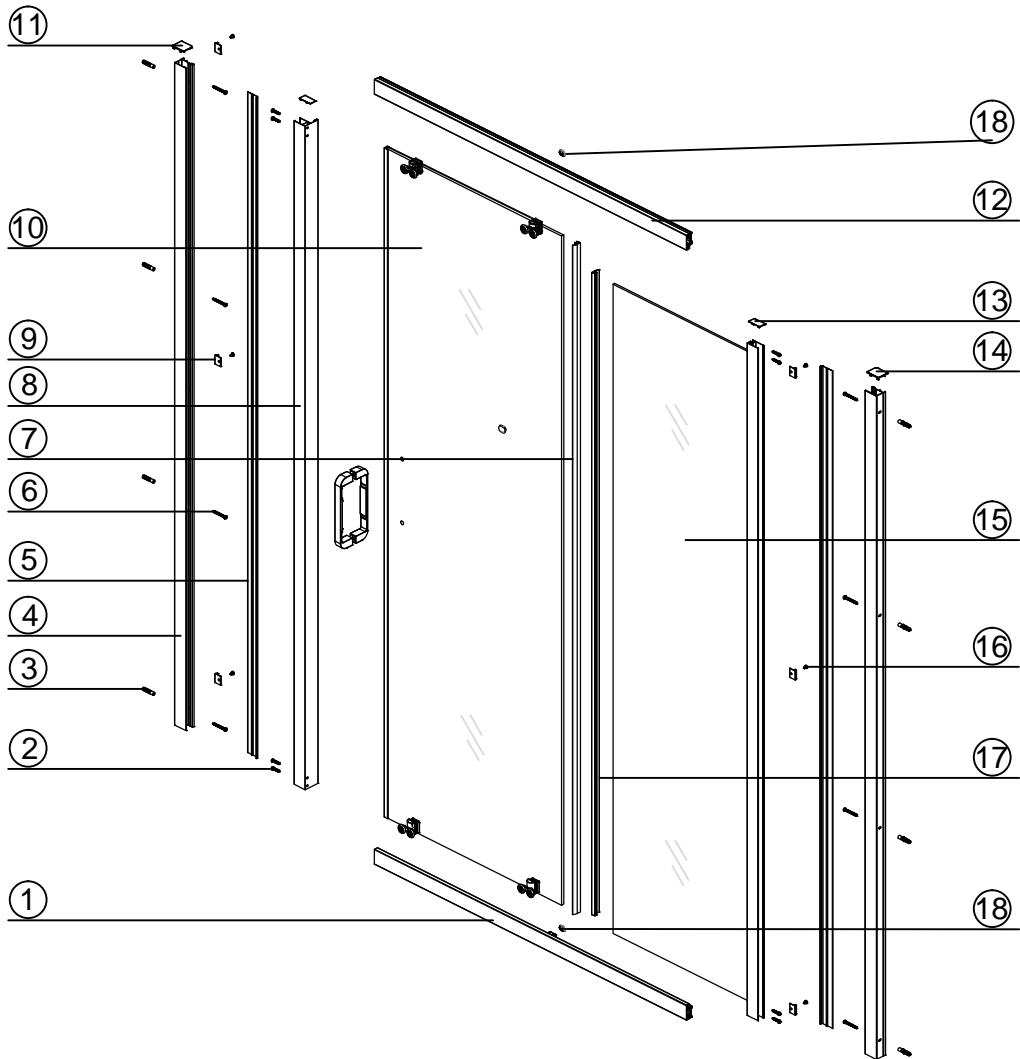
## New Luxury Slider Door 8mm



If you need further help please contact your local depot [www.ctb.co.uk](http://www.ctb.co.uk)



## Parts Identification



If you need further help please contact your local depot [www.ctb.co.uk](http://www.ctb.co.uk)

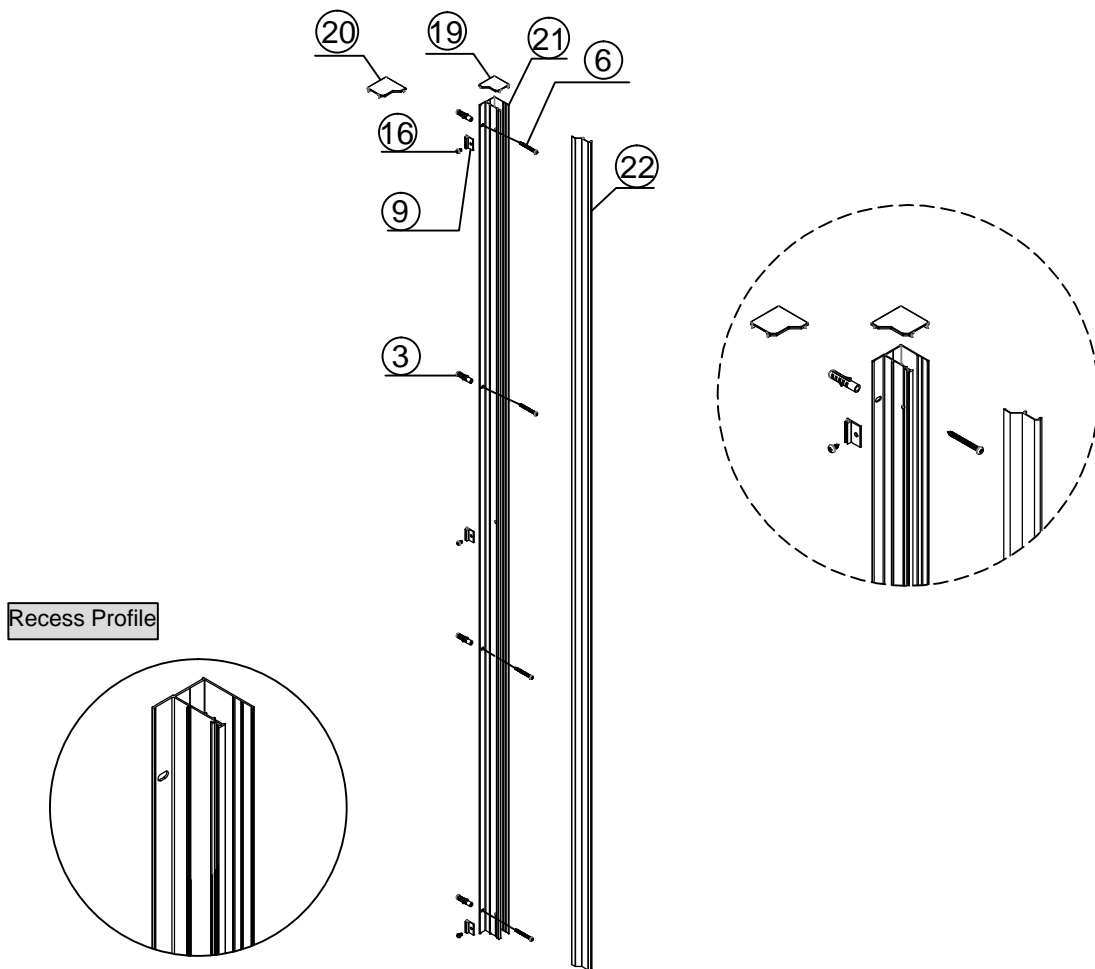
## Components List

NO.	Drawing	Description	Qty
1		Bottom Rail	1
2		No8x 1" Pozi Pan Screw	8
3		Wall Plug	8
4		Wall Profile A	2
5		Profile Cover Strip	2
6		No8x1 3/4" Pozi Pan Screw	8
7		Door Seal (1891mm)	1
8		Closing Profile	1
9		Cover Strip Clip	6
10		Door Glass	1
11		Wall Profile LH Cap	1
12		Top rail	1
13		Profile Cap	2
14		Wall Profile RH Cap	1
15		Fixed Panel Glass	1
16		No8x 3/8" Pozi Pan Screw	6
17		Fixed Panel Seal (1815mm)	1
18		Glass Clip Cover	2

If you need further help please contact your local depot [www.ctb.co.uk](http://www.ctb.co.uk)



## Recess Installation Pack-Supplied separately



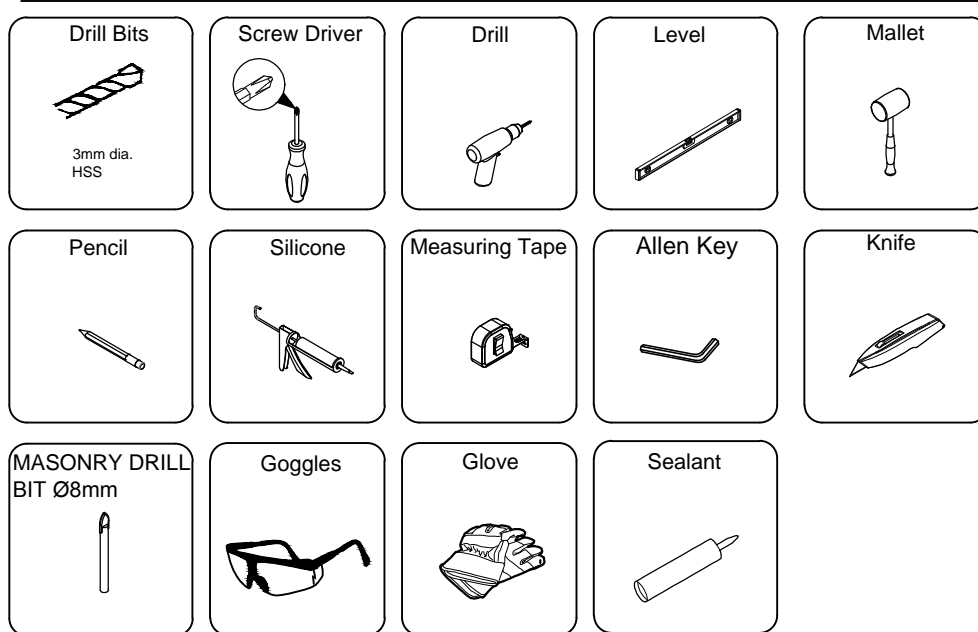
### Components List

N0.	Drawing	Description	Qty
3		Wall plug	4
16		No8x 3/8" Pozi Pan Screw	3
9		Cover Strip Clip	6
6		No8x1 3/4" Pozi Pan Screw	4
19		Right Profile Cap	1
20		Left Profile Cap	1
21		Recess Profile	1
22		Profile Cover Strip	1

If you need further help please contact your local depot [www.ctb.co.uk](http://www.ctb.co.uk)



## Tools required



## Things to check before you start

\*Check that the wet floor / tray has been installed correctly and that it is level, tiled down onto and sealed to the manufacturer's guidelines.

### \*check

\*Ensure the product is fitted to a non-porous surface ie. tiled and that the shower area is water proof. Check that the wall surface is flat.

\*Unpack and check the product is complete and undamaged.

\*Please check you are happy with the product before installing it.

\*Fixings are supplied for solid walls only. Ensure that the correct fixings are used for the wall type.  
–if in doubt seek professional advice

\*Ensure the area is clean, dry and dust free.

\*Read the instructions in full.

\*Have the correct tools available, see "Tools Required"

\*Please dispose of all packaging with due regard to the environment.

If you need further help please contact your local depot [www.ctb.co.uk](http://www.ctb.co.uk)



## Safety

---

\*For domestic use only.

\*Handle all glass with care - support on cardboard to avoid risk of breakage.

\*When drilling walls check first for hidden pipes and electric cables.

\*All glass is toughened –it cannot be reworked or replaced by ordinary glass.

\*Use safety eyewear when drilling the wall.

\*Use safety eyewear when handling glass.

\***DO NOT** drill through glass.

\*Keep all small parts away from children.

\*Plastic bags are dangerous. To avoid danger of suffocation or choking all plastic bags should be kept away from babies and children, and disposed of correctly after use.

\*Care and Maintenance

- Use clean cloth or wiper blade to remove water droplets after use
- Use only soapy water and a clean damp cloth to clean the surface of the product, wipe dry after with clean dry cloth
- NEVER USE solvents, scourers, abrasive solutions, bleach, acidic solutions, strong detergents, aggressive chemical cleaners or solvent type cleaning solutions on this products.

\*Technical Specification

- This product uses toughened glass that conforms to EN12150

\*Guarantee

- Products that have not been stored, assembled, fitted correctly or not maintained in line with 'Care and Maintenance', we will not accept responsibility under the Guarantee.
- If product is damaged or becomes defective due to modification, neglect, misuse we will not accept responsibility under the Guarantee.
- Product damaged accidentally, willfully or due to an act of God , we will not accept responsibility under the Guarantee
- Products not installed in accordance to this instruction leaflet.
- Product installed with known fault that was evident prior to installation.

\*Fitting Tips

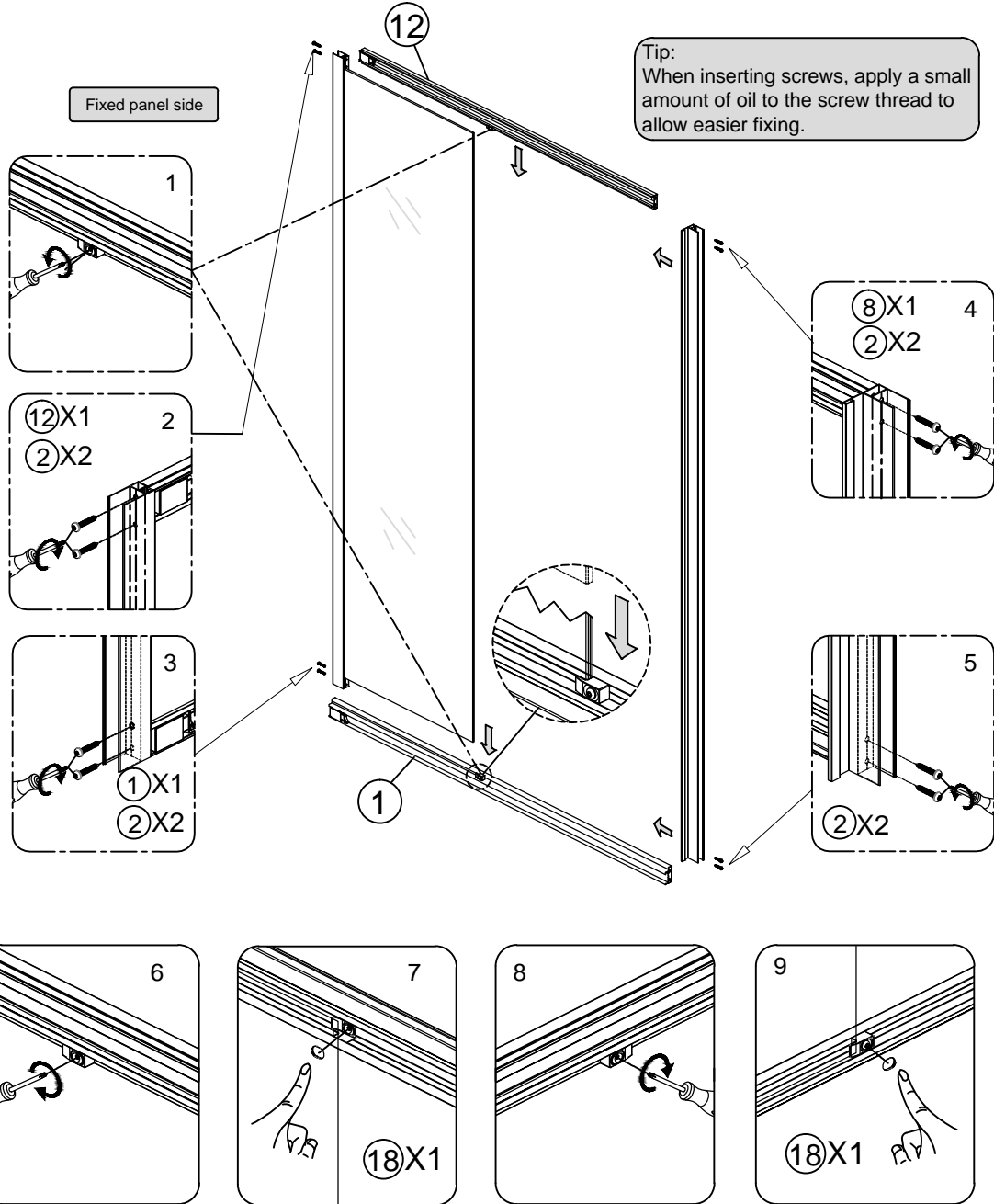
- When drilling into tiles use masking tape to avoid drill slipping.

If you need further help please contact your local depot [www.ctb.co.uk](http://www.ctb.co.uk)



## Installation Recess Fit

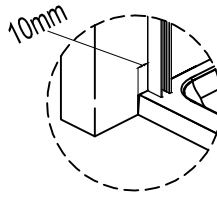
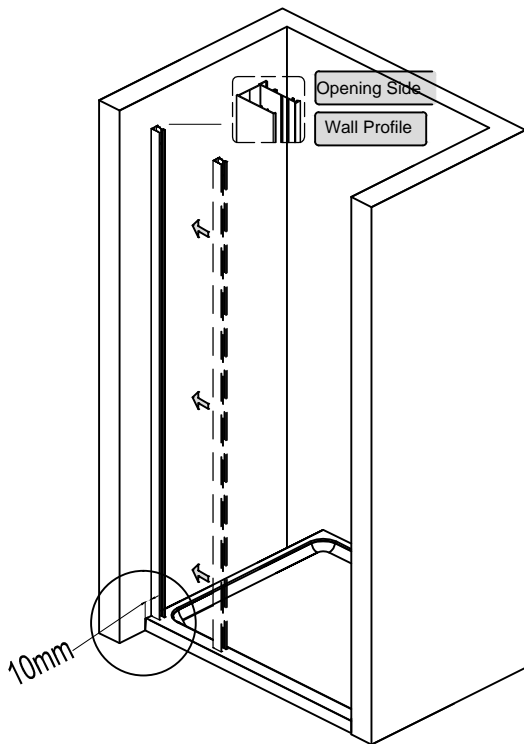
Loosen screws on top and bottom rails, fit fixed panel on the same side as dampers. After assembly of frame retighten screws on rails taking care not to over tighten



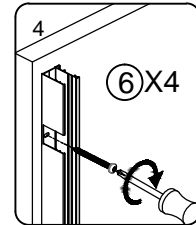
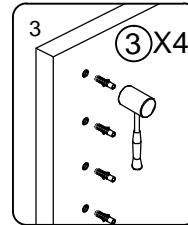
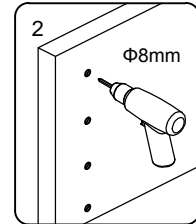
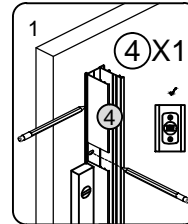
If you need further help please contact your local depot [www.ctb.co.uk](http://www.ctb.co.uk)



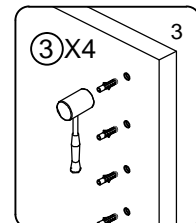
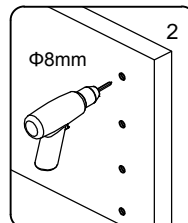
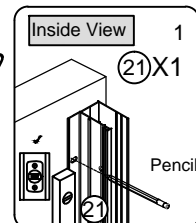
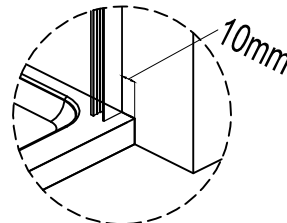
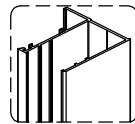
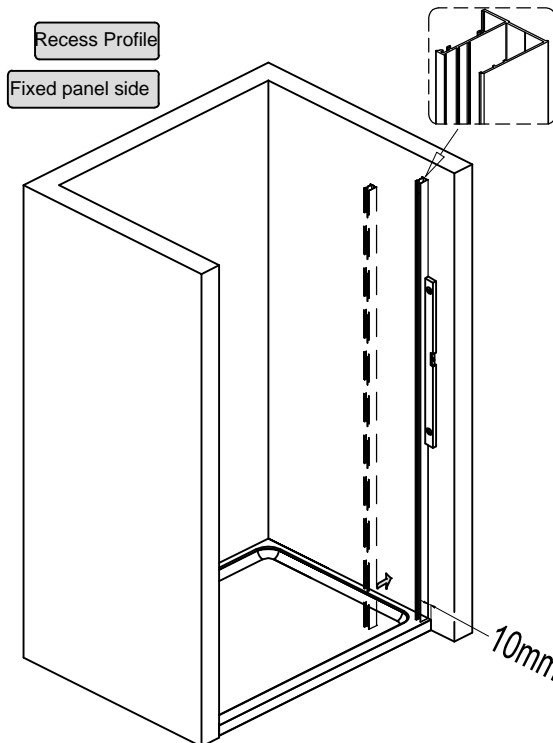
## Installation Recess Fit



All doors are reversible and can be fitted right hand or left hand opening



\*After this stage for fitting in conjunction with Side Panel go to Side Panel instructions.

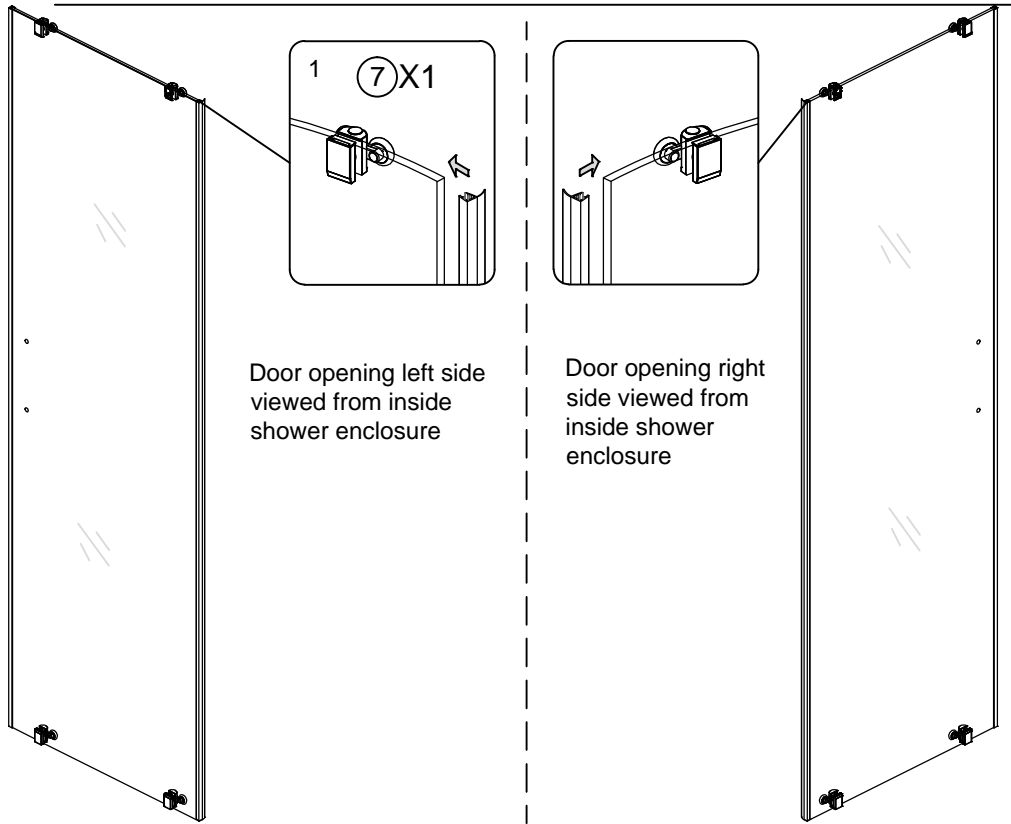


**!** Note: Do not fit recess profile to wall at this point

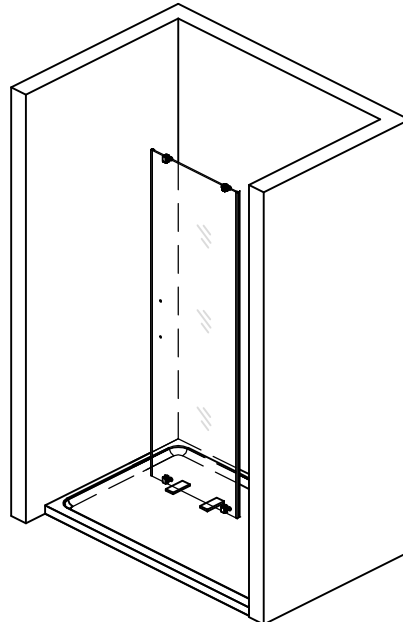
If you need further help please contact your local depot [www.ctb.co.uk](http://www.ctb.co.uk)



## Installation Recess Fit



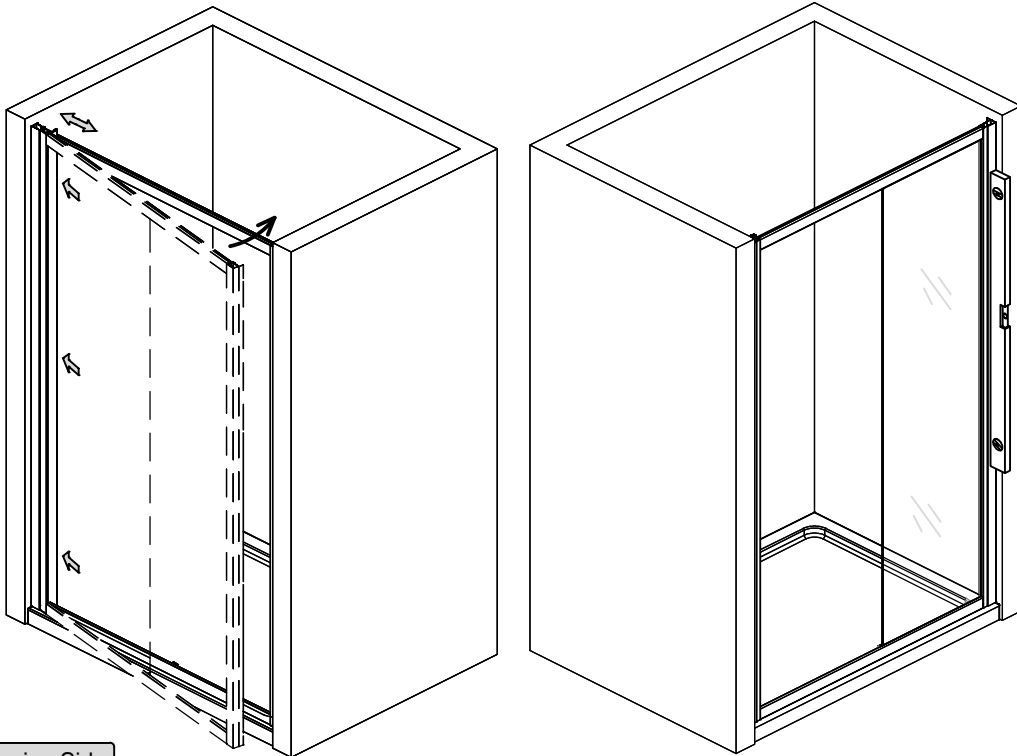
Put the door glass inside tray on cardboard before fitting frame



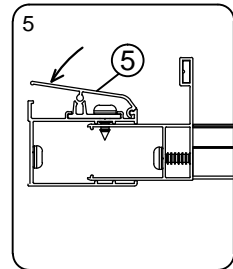
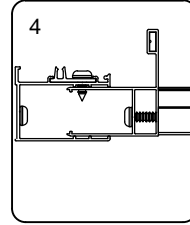
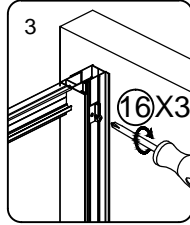
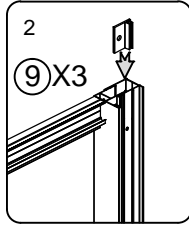
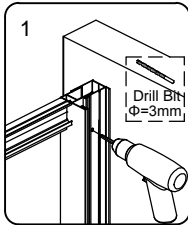
If you need further help please contact your local depot [www.ctb.co.uk](http://www.ctb.co.uk)



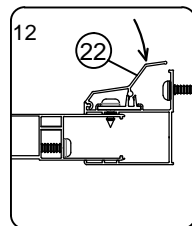
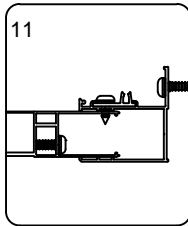
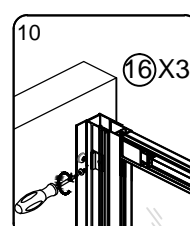
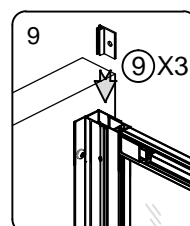
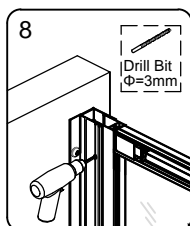
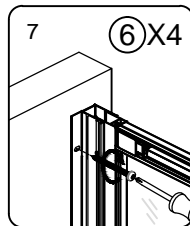
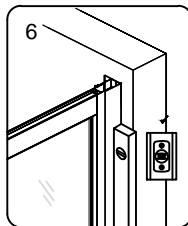
# Installation Recess Fit



## Opening Side



## Fixed Side



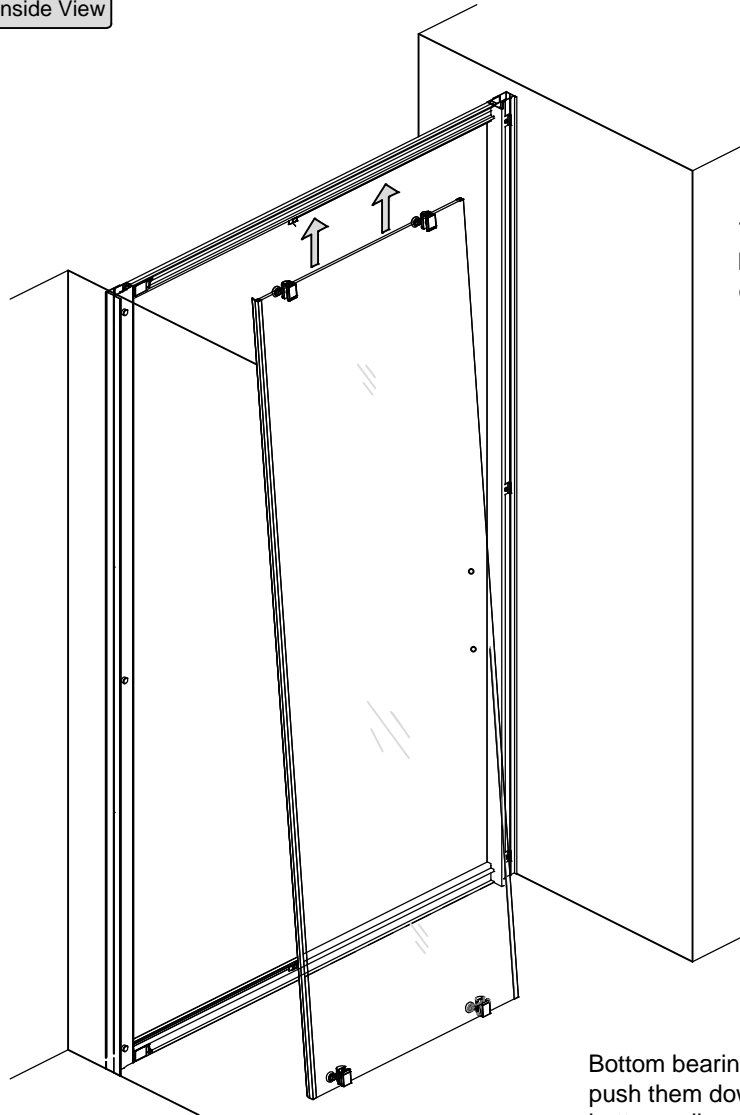
Note:  
Two different Seal lengths supplied.  
Use Shorter lengths for fixed panel.

If you need further help please contact your local depot [www.ctb.co.uk](http://www.ctb.co.uk)



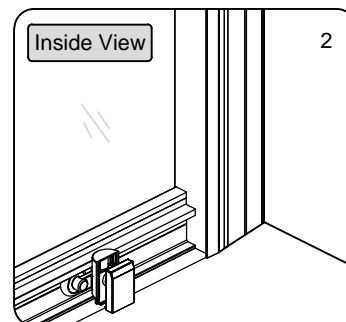
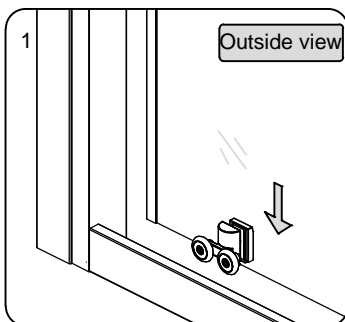
## Installation Recess Fit

Inside View



Tip:  
Locate bearing wheels  
on the top rail first.

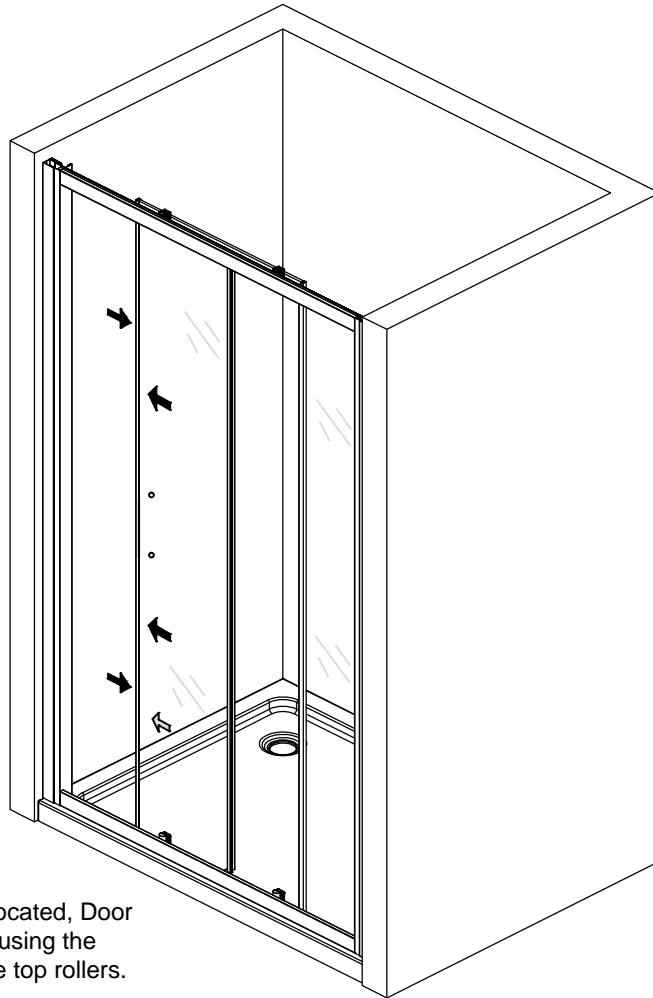
Bottom bearings are sprung loaded  
push them down so they fit into the  
bottom rail.



If you need further help please contact your local depot [www.ctb.co.uk](http://www.ctb.co.uk)

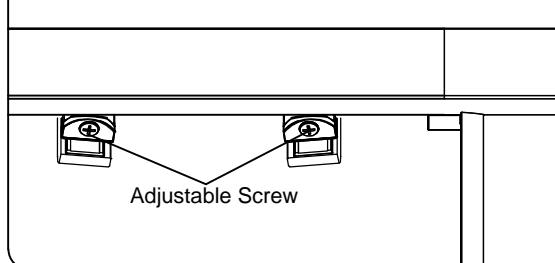


## Installation Recess Fit

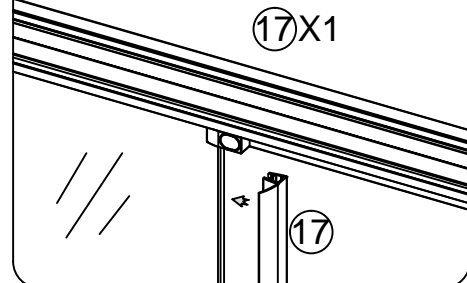


When door is correctly located, Door position can be levelled using the adjustment screws in the top rollers. please ensure doors run freely after adjustment

1 Outside View Under Top Bearings



2

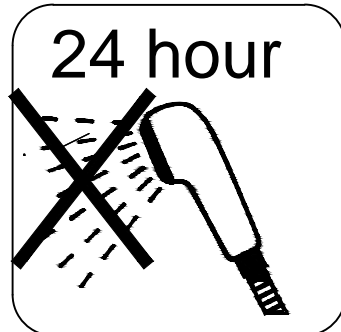
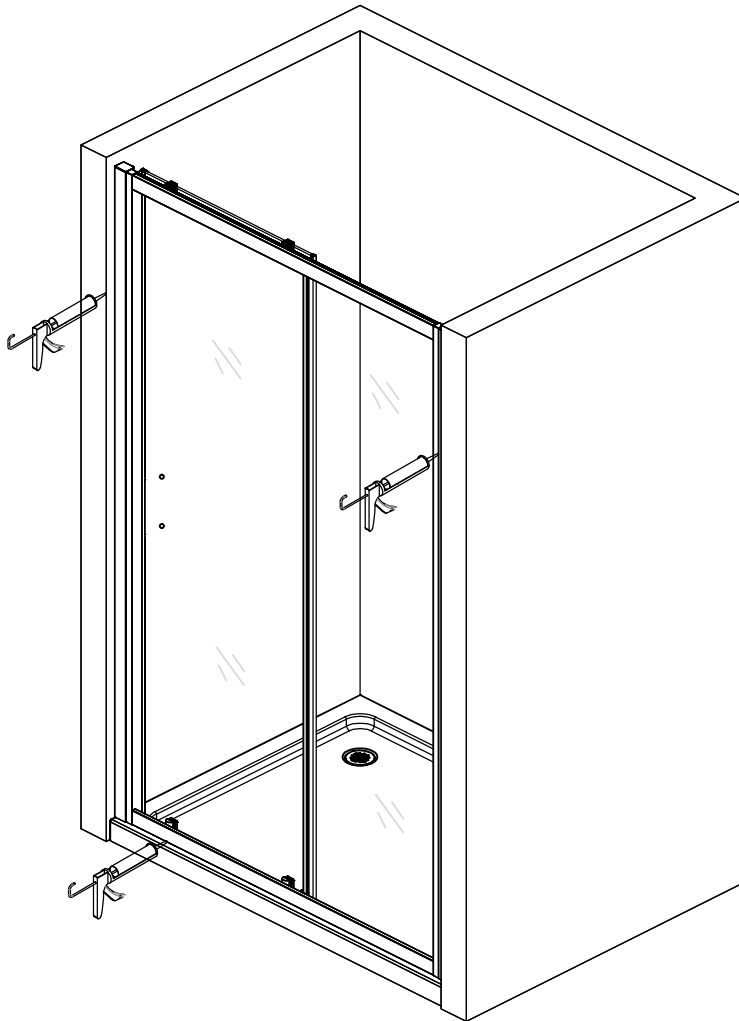
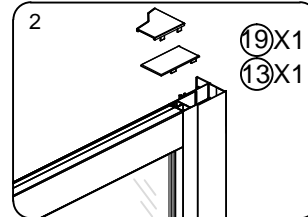
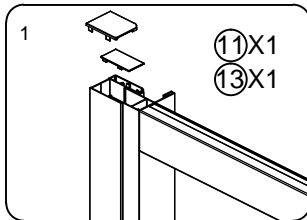


If you need further help please contact your local depot [www.ctb.co.uk](http://www.ctb.co.uk)

## Installation Recess Fit

! Handle Fitting See  
"Handle Installation"

! Apply silicone between wall and  
wall channel, Bottom rail and tray,  
on outside of the product.



If you need further help please contact your local depot [www.ctb.co.uk](http://www.ctb.co.uk)