

Important – Please Read

Please read these instructions carefully before starting installation and keep for future reference. Remove all packaging and check the product for missing parts or damage before starting installation. Any alterations made to this product and fittings may infringe water regulations and will invalidate the guarantee. The installation must comply with all Local/National Water Supply Authority Regulations/Byelaws and Building and Plumbing (UK:BS6700) Regulations. We strongly recommend that you use a qualified and registered plumber.

General Installation

These fittings are mixing devices and therefore water supplies must be reasonably balanced.

Where connections are made to the mains cold water supply, WRC approved single check valves must be fitted to both hot and cold inlets. This is a stated requirement of Water Supply (Water Fittings) Regulations 1999 Schedule 2, Section 15. Before making any inlet pipe connections, all supply pipes MUST be thoroughly flushed to remove debris. Failure to do so could result in damage or low flow from the mixer unit. Water Supply (Water Fittings) Regulations 1999 Schedule 2, Section 13.

The fitting of isolating valves to the inlet feeds is advised for ease of maintenance.

Please take great care when installing this mixer not to damage its surface.

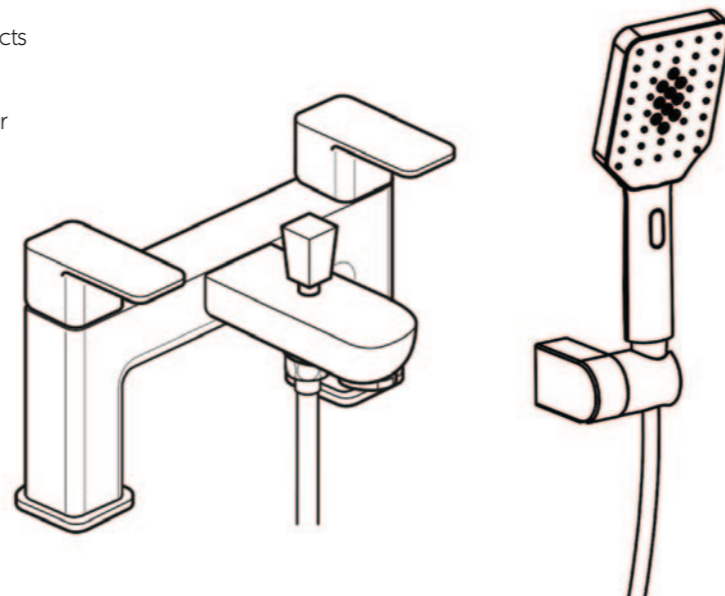
Please note if installing in an enclosed environment, access should be left for servicing and maintenance. No costs relating to inadequate access can be accepted.

Care of the Mixer

Our products are finished to the highest standard and due care needs to be taken to ensure their looks are retained.

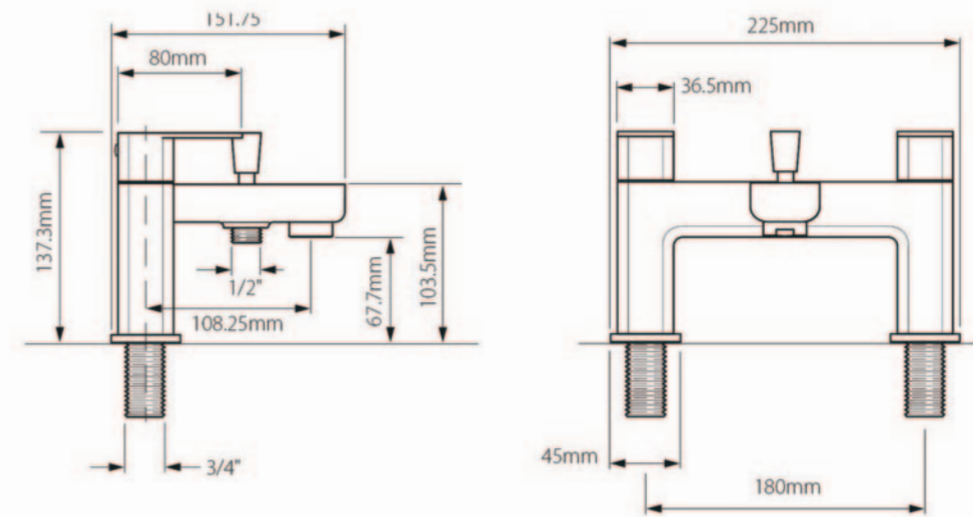
We recommend cleaning all products with a soft damp cloth ONLY and advise strongly against the use of ALL cleaning products i.e. powders and liquids.

If the above instructions are not followed this will invalidate your guarantee in the event of a problem occurring.



Important – Please Read

Dimensions



Operating Pressure:

Minimum operating pressure 0.2 Bar
Maximum operating pressure 5 Bar

Installation

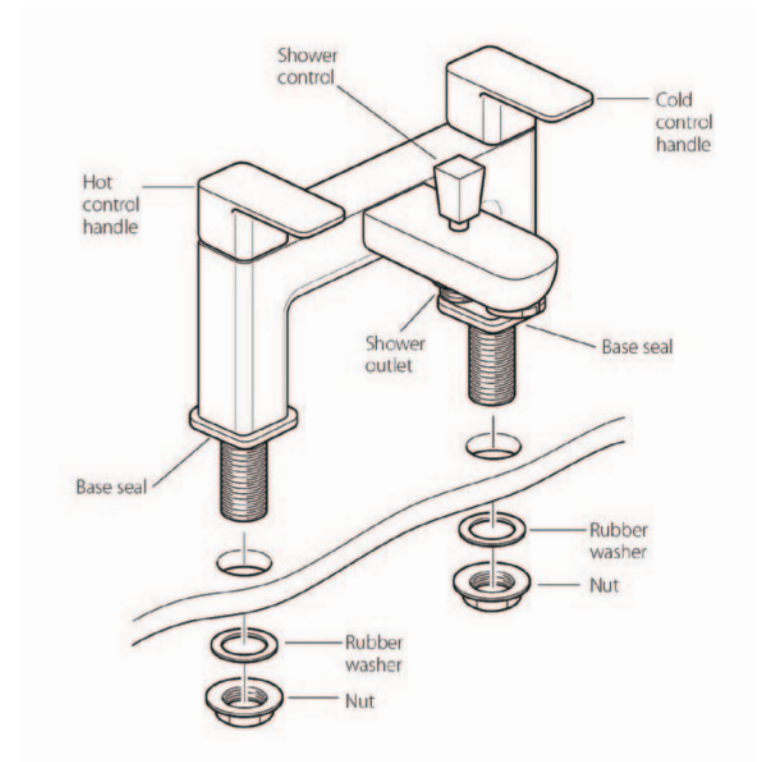
Before installing your new mixer, flush through the pipework to ensure removal of debris, turn off the water supply.

Position the base rings onto the bottom of the mixer body making sure that the seals are in place underneath.

Position the mixer on the bath. From the underside of the bath fit the rubber washers and nuts. Tighten the nuts to clamp the mixer to the bath.

CAUTION: Do not over tighten the nuts as this may damage the bath.

Connect the water supply to the inlet pipes.
The hot water should be connected to the left hand pipe.



Important – Please Read

Installation

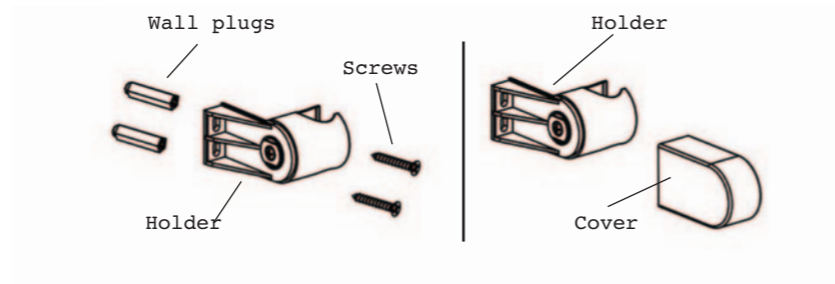
WARNING! Please check for any hidden pipes and cables before drilling holes in the wall.

If you are fitting the unit to a partition wall or a wall of particularly soft substrate you will need specialist fixings.

Select the position for the shower holder and mark the 2 fixing positions with a suitable pencil.

Remove the holder from the wall, drill 6mm diameter holes to a depth of 35mm, insert the wall plugs and secure the bracket to the wall using the screws provided.

Push the cover back onto the holder.



Handset

Place one of the rubber washers into the cone end of the hose and screw to the handset .



Shower Hose

Place the other rubber washer into the nut end of the hose and attach it to the mixer outlet.

