

Important – Please Read

Please read carefully before attempting to install the unit. This leaflet contains instructions which must be made available to the end user.

Please check product for imperfections before installing.
Please contact your point of purchase if an imperfection is found.

GENERAL SAFETY INSTRUCTIONS

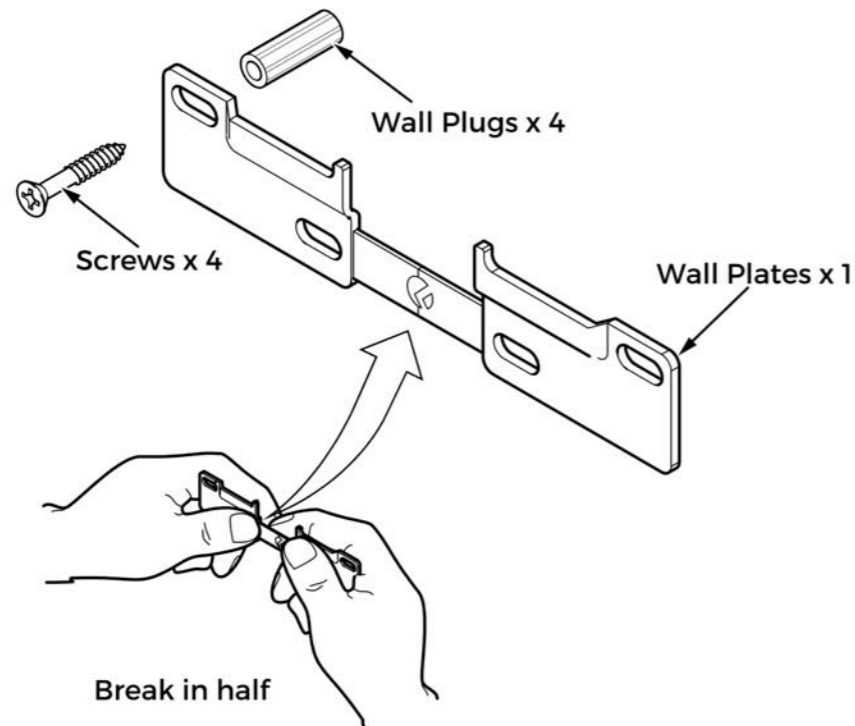
REMEMBER

- Handle product with care.
- When drilling walls, check first for hidden pipes and cables.
- Use safety eyewear when drilling.
- Keep all small parts away from children.
- If the product is over 20 kg (see packaging), 2 people are required to carry and install the unit.

IMPORTANT NOTES

- Ensure all cut outs for plumbing are carried out prior to installation.
- All exposed edges of timber need to be treated or sealed using PVA.

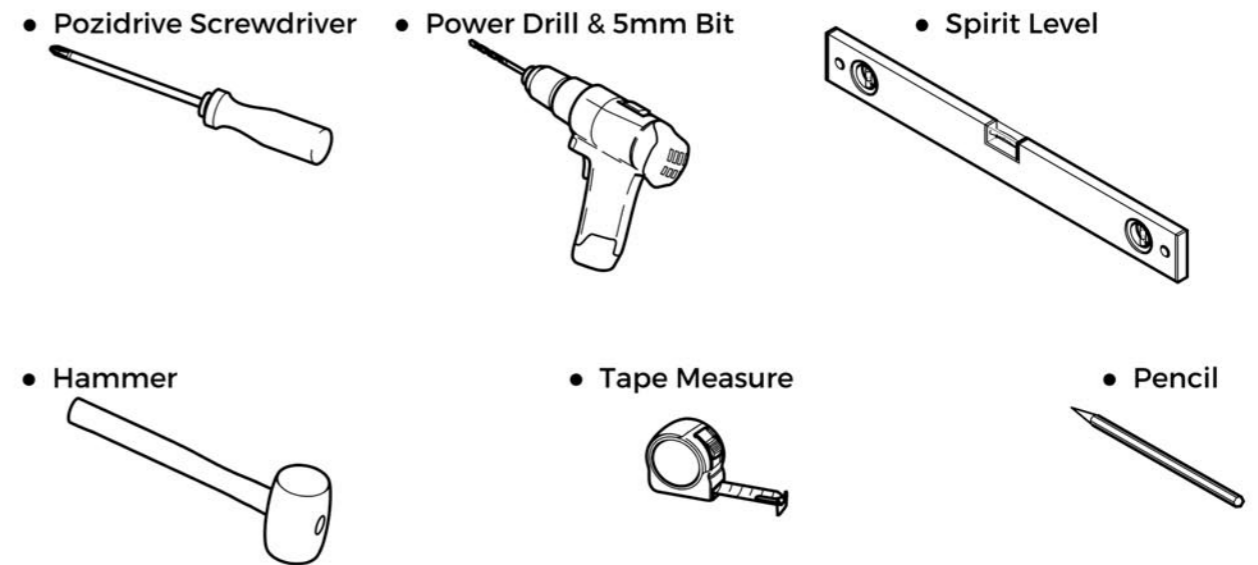
Fixing and fittings supplied



Note: Fixings supplied are for solid walls only, alternative fixings should be purchased for cavity walls.

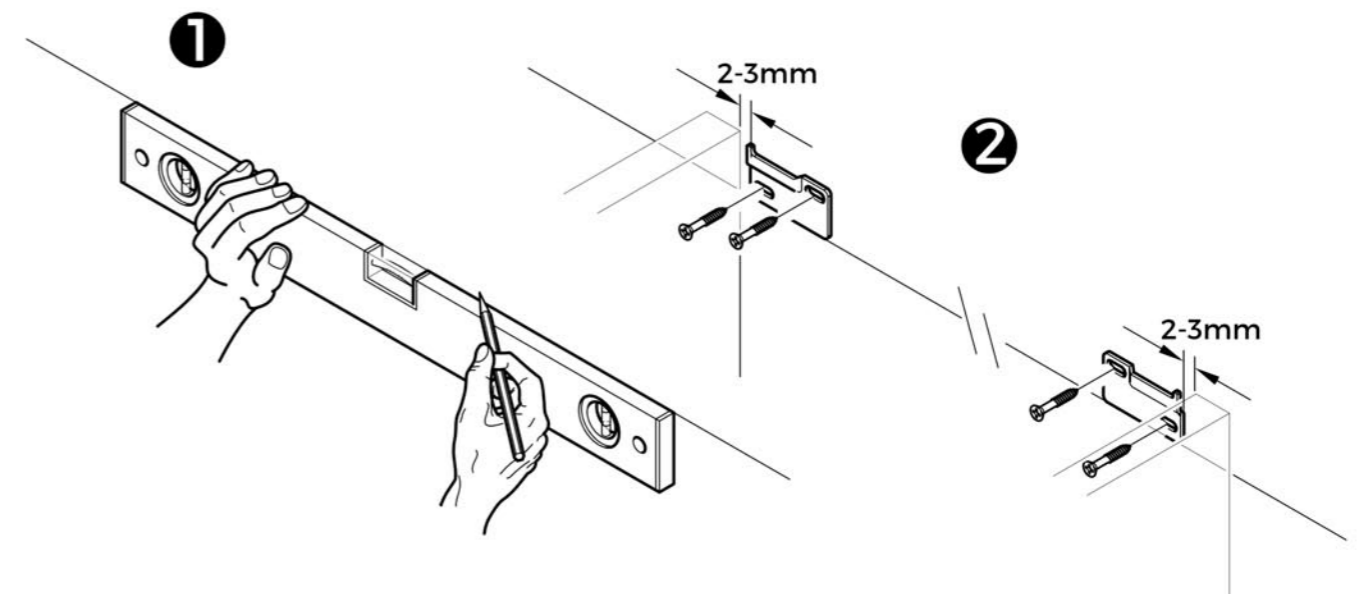
Important – Please Read

Tools Required (not supplied)



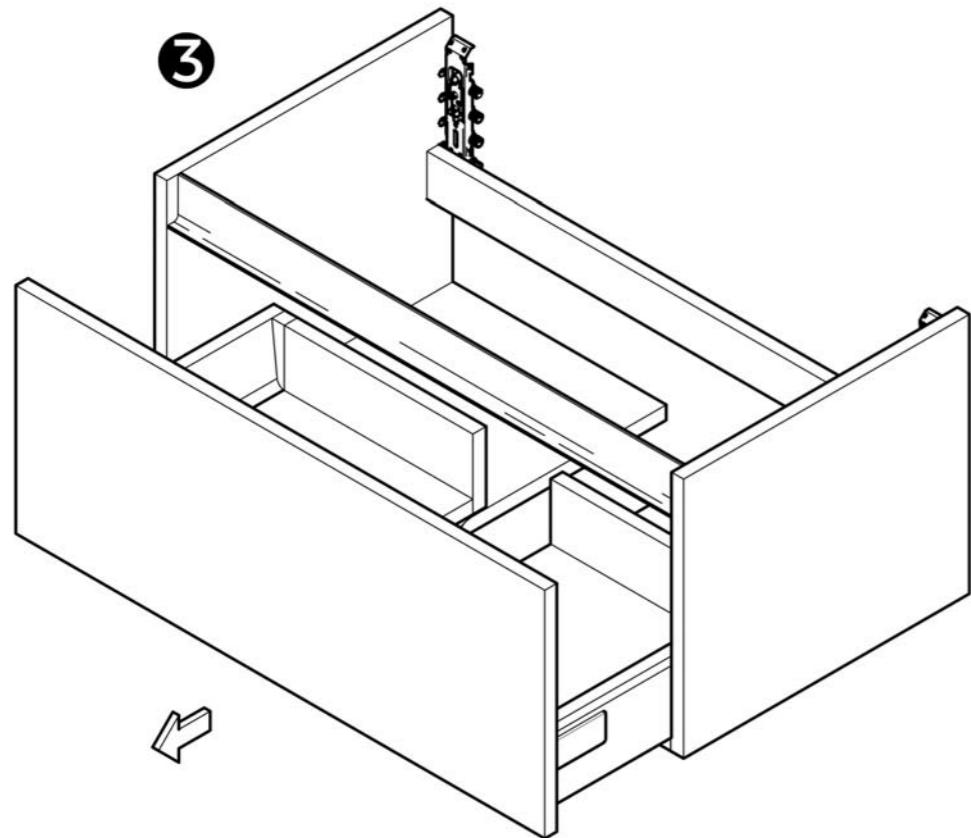
Step 1 - Wall Fixings

- Decide on the height of the Vanity Unit and, using a spirit level, draw a horizontal line to work to (1).
- Mark out the internal dimensions of the unit making sure the plates are within the internal dimensions of the unit by 2-3 mm (2).
- Using a Power Drill along with the Wall Plugs and Screws provided, fix the plates in place.
- If the wall is not solid, you will need to use your own fixings. Ensure that they are adequate to support the total weight of the Unit as stated on the packaging.



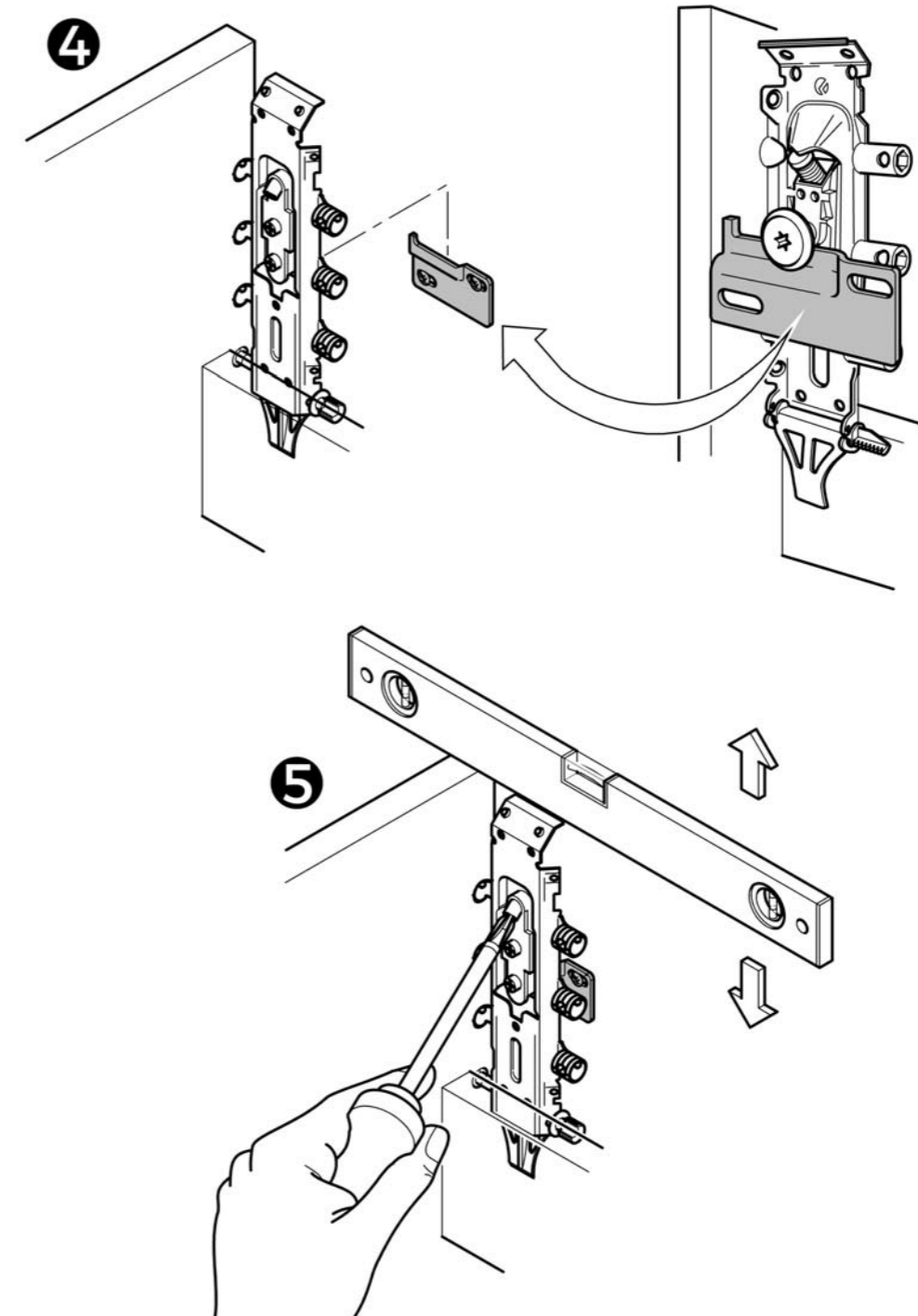
Step 2 - Remove Drawer

- The Drawer needs to be removed so the Unit can be hung.
- Pull the Drawer out as far as it will go to allow access to the two Drawer Release Clips (3).



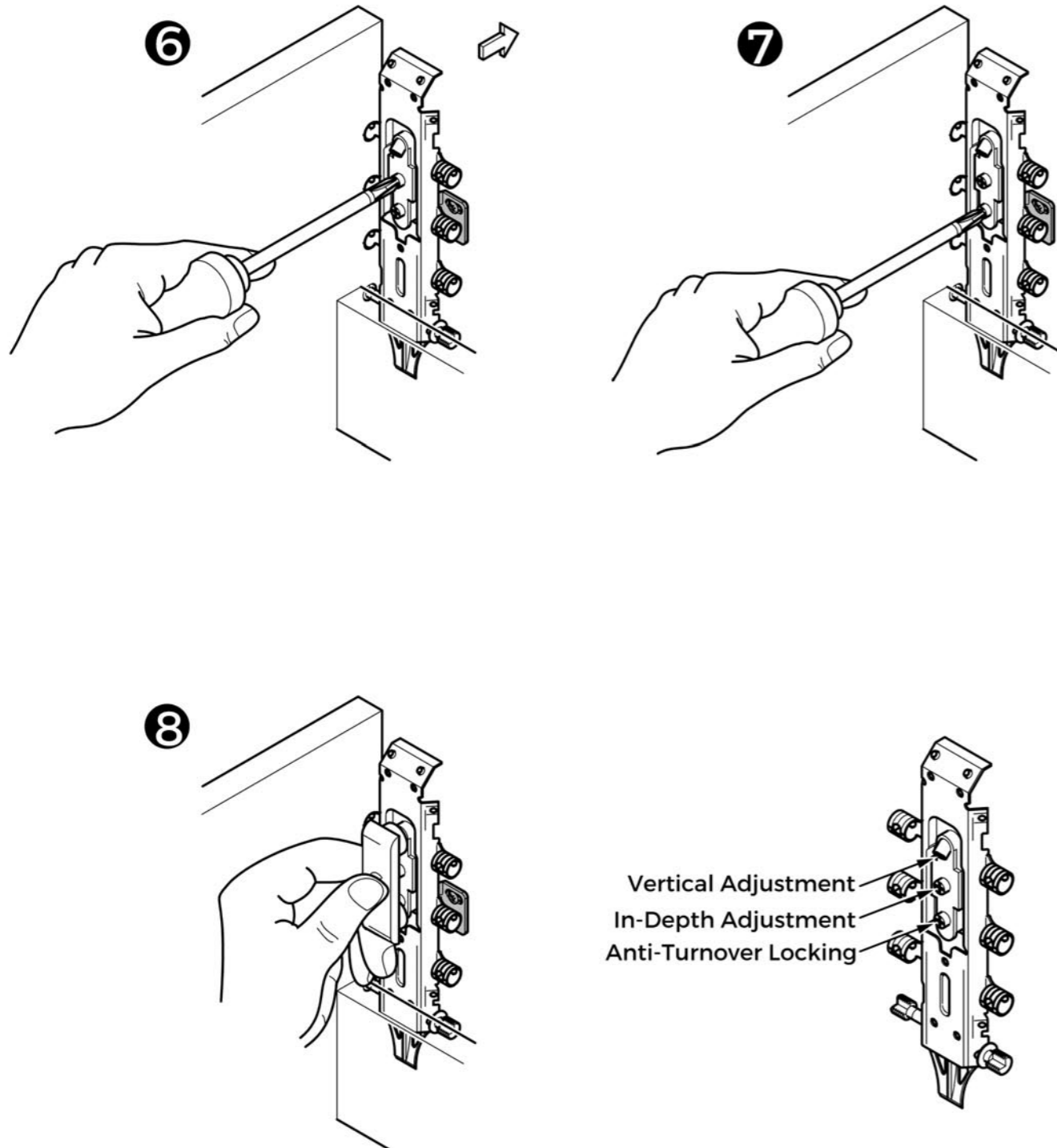
Step 3 - Hang Unit

- Hang the unit on the Wall Mounting plates (4).
- Level the unit by adjusting the screw on the top of the Hanging Bracket.
- Use a spirit level (5).



Step 3 - Hang Unit

- Once level, tighten the middle screw on the front of the Hanging Bracket to move the Unit to the wall (6).
- Tighten the RED Anti-Turnover locking screw, stop when it touches the wall plate (7).
- Push a Cover Cap into the aperture so as to cover the adjusting screws. (8)



Step 4 - Fitting the Drawer

- Sit the Drawer on to the drawer runners (9).
- Push the Drawer into the closed position, the drawer will click into place automatically.

