

Installation Guide

IMPORTANT NOTES

- Ensure all cut outs for plumbing are carried out prior to installation.
- Check all product contents and read instructions before starting installation.
- All exposed edges of timber need to be treated or sealed using PVA.

Tools Required (Not Included)

- Pozidrive Screwdriver
- Pencil
- 2.5mm & 5mm Drill Bits or as compatible with alternative fixings for the wall structure.

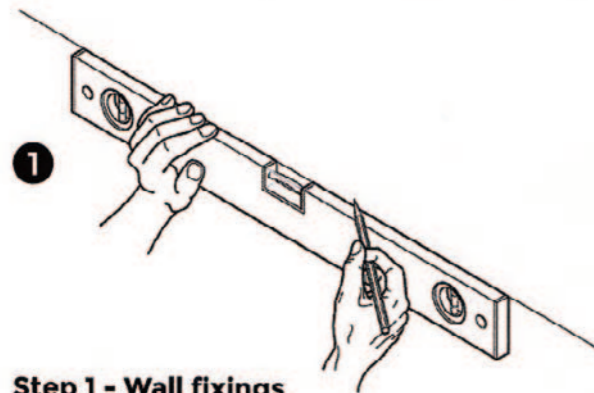
SAFETY WARNINGS

- Handle product with care.
- When drilling walls, check first for hidden pipes and cables.
- Use safety eyewear when drilling.
- Keep all small parts away from children.
- If the product is over 20 kg (see packaging), 2 people are required to carry and install the unit.

Fittings and Parts (Supplied)

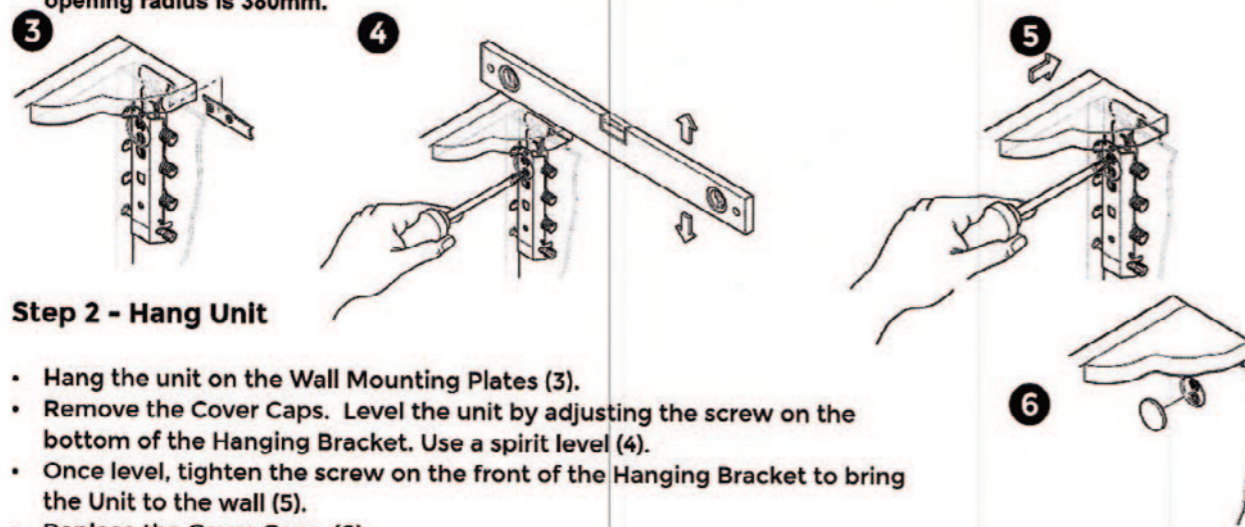
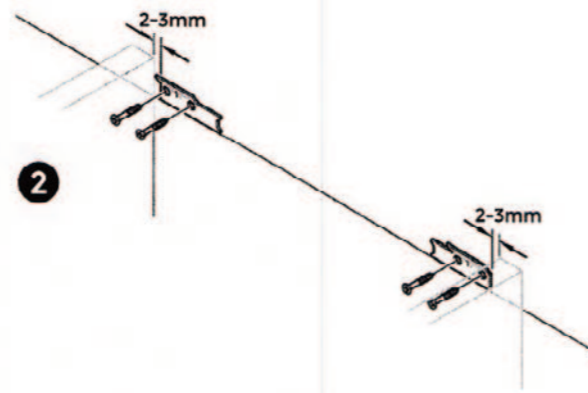
- 4 x Wall Plates

- Hammer
- Tape Measure
- Power Drill
- Spirit Level



Step 1 - Wall fixings

- Decide on the height of the Tall Unit and, using a spirit level, draw a horizontal line to work to (1).
- Mark out the internal dimensions of the Unit making sure the plates are within the internal dimensions of the unit by 2-3 mm (2).
- Using a Power Drill along with the Wall Plugs and Screws provided, fix the plates in place.
- If the wall is not solid, you will need to use your own fixings. Ensure that they are adequate to support the total weight of the Unit as stated on the packaging.
- Please note the door is hinged RH only and that the door will open to a maximum of 110 degrees and the opening radius is 380mm.



Step 2 - Hang Unit

- Hang the unit on the Wall Mounting Plates (3).
- Remove the Cover Caps. Level the unit by adjusting the screw on the bottom of the Hanging Bracket. Use a spirit level (4).
- Once level, tighten the screw on the front of the Hanging Bracket to bring the Unit to the wall (5).
- Replace the Cover Caps. (6)

GUARANTEE

We have taken great care to ensure that this product reaches you in perfect condition. However should any parts be damaged or missing, please contact your point of purchase. This does not affect your statutory rights.

In addition, if you require replacement parts your point of purchase will be happy to assist.

Instruction for fitting the Frame to the tall Unit.

1. Fix tall cabinet to wall to your required height, following instructions provided.
2. Once fixed using 4 @ 16mm x 7mm Countersunk (not supplied) fix the frame to the underside of the cabinet.



3. Using screws above fix frame below into the underside of the cabinet using the positions highlighted.

