

## Programmable - Black



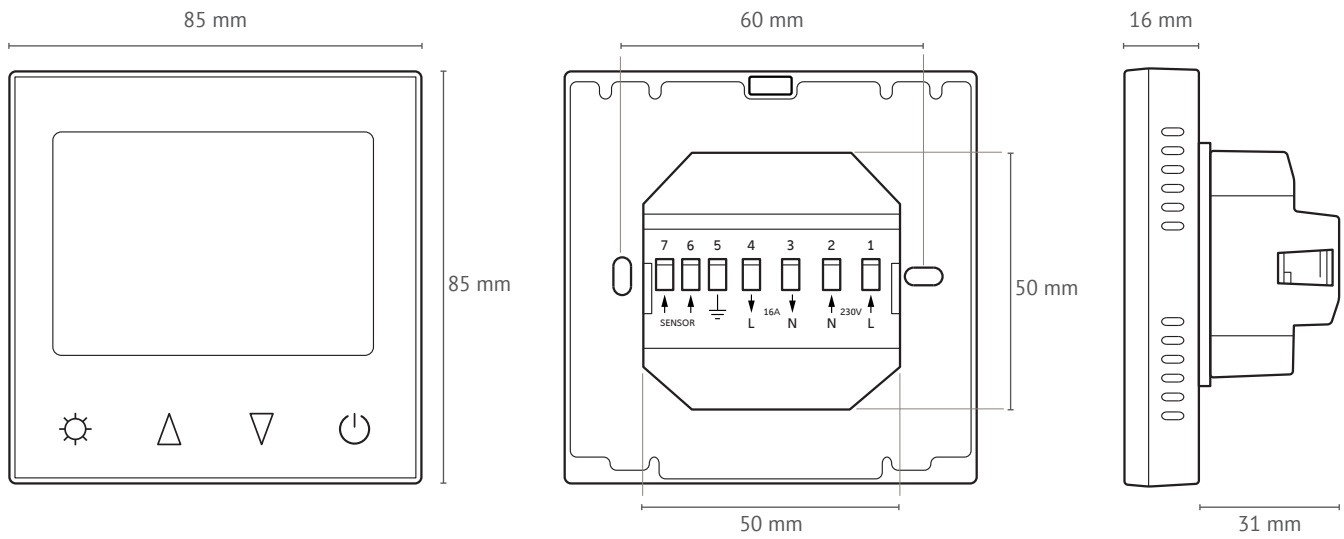
Simple, programmable controls for electric underfloor heating. Set up and adjust an automatic heating schedule and make adjustments to advanced settings.

- Specifically designed for accurate control of electric underfloor heating systems.
- Built-in ambient temperature sensor.
- External floor temperature sensor probe.
- Boost the temperature manually until the next scheduled heating event.
- Smart adaptive start learns how long your floor takes to heat up and reduces energy consumption.
- Open window sensor monitors the room temperature and switches off automatically if a door or window is opened.
- Designed with touch sensitive controls for easy use.
- 7 day, 6 event heating schedule.

### Technical data

|                   |                             |
|-------------------|-----------------------------|
| Code              | SHC-B-01                    |
| Supply voltage    | 230V 50/60Hz                |
| Maximum load      | 16A (3600W)                 |
| Temperature range | 5 - 80°C (0.5°C increments) |
| Size              | W 85 x H 85 x D 16 mm       |
| Protection rating | IP30                        |
| Mounting          | 31mm deep back box          |
| Sensor Rating     | NTC 10kΩ @ 25°C             |
| Warranty          | 3 years                     |

## Product dimensions



## Box contents

- 1 x ThermoSphere SmartHome thermostat
- 1 x Installation guide
- 1 x 3m floor temperature sensor probe
- 1 x 2m sensor conduit
- 2 x Fixing screws