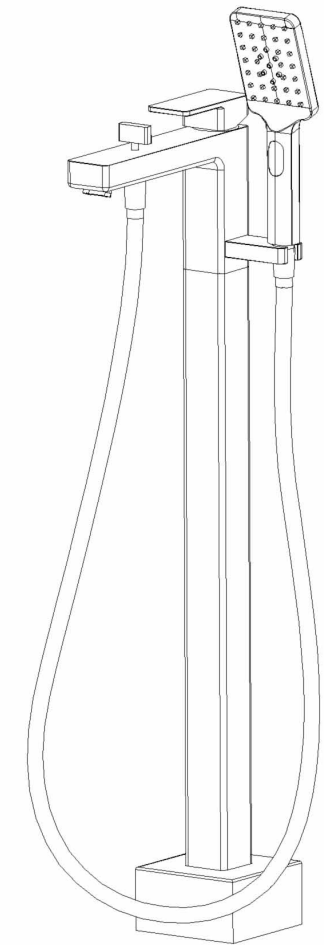




www.ctb.co.uk

Installation & Care Guide

Pure Floor Mounted Bath Shower Mixer



Product Model: TAPU004FSN / TAPU204FS / TAPU304FS

Important – Please Read

Please read these instructions carefully before starting installation and keep for future reference. Remove all packaging and check the product for missing parts or damage before starting installation. Any alterations made to this product and fittings may infringe water regulations and will invalidate the guarantee. The installation must comply with all Local/National Water Supply Authority Regulations/Byelaws and Building and Plumbing (UK:BS6700) Regulations. We strongly recommend that you use a qualified and registered plumber.

General Installation

These fittings are mixing devices and therefore water supplies must be reasonably balanced.

Where connections are made to the mains cold water supply, WRC approved single check valves must be fitted to both hot and cold inlets. This is a stated requirement of Water Supply (Water Fittings) Regulations 1999 Schedule 2, Section 15. Before making any inlet pipe connections, all supply pipes **MUST** be thoroughly flushed to remove debris. Failure to do so could result in damage or low flow from the mixer unit. Water Supply (Water Fittings) Regulations 1999 Schedule 2, Section 13.

The fitting of isolating valves to the inlet feeds is advised for ease of maintenance.

Please take great care when installing this mixer not to damage its surface.

Please note if installing in an enclosed environment, access should be left for servicing and maintenance. No costs relating to inadequate access can be accepted.

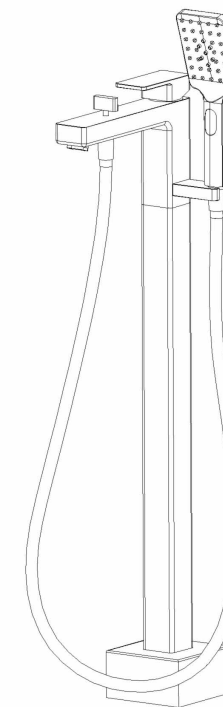
02

Care of the Mixer

Our products are finished to the highest standard and due care needs to be taken to ensure their looks are retained.

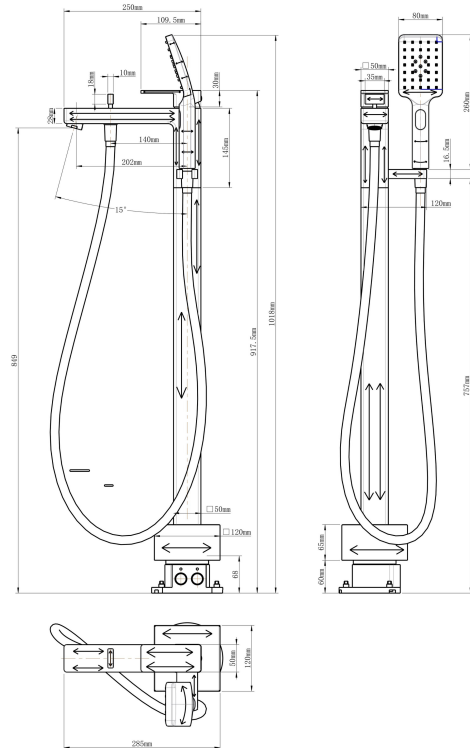
We recommend cleaning all products with a soft damp cloth **ONLY** and advise strongly against the use of ALL cleaning products i.e. powders and liquids.

If the above instructions are not followed this will invalidate your guarantee in the event of a problem occurring.



03

Dimensions

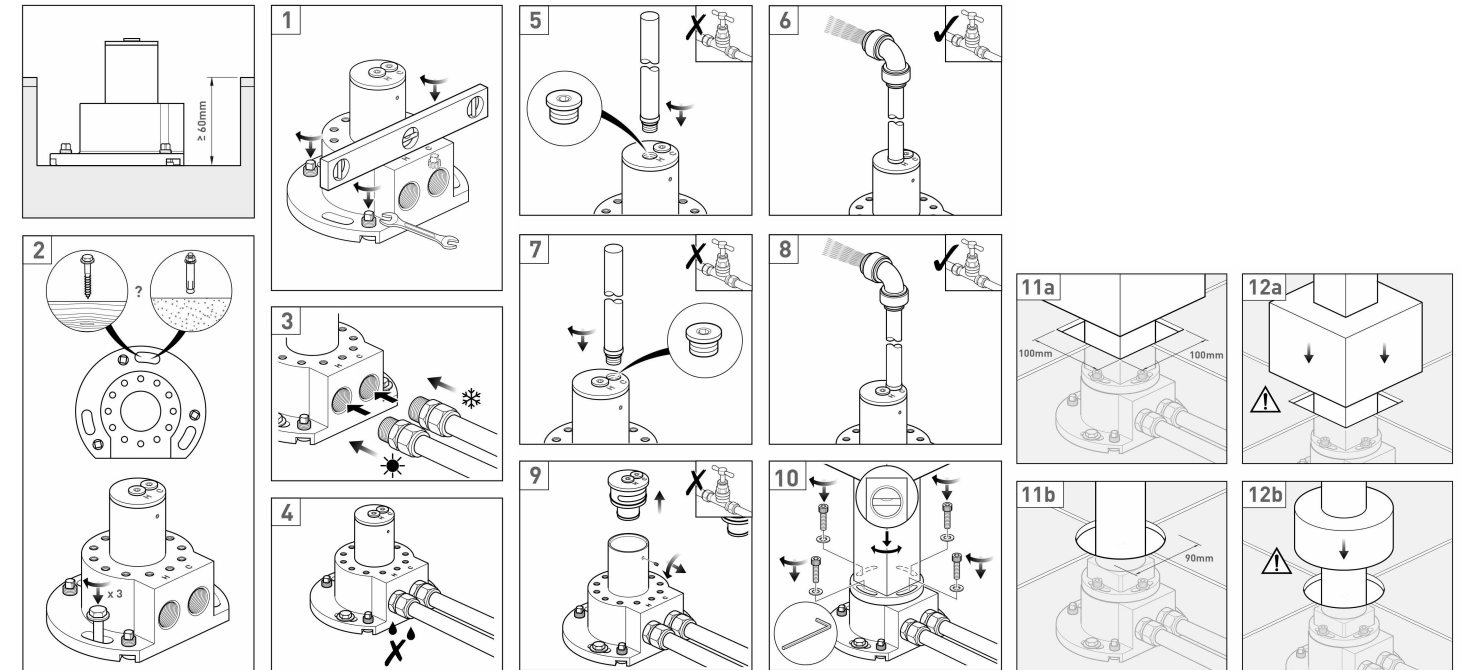


Operating Pressure:

Minimum operating pressure 1 Bar
Maximum operating pressure 5 Bar

04

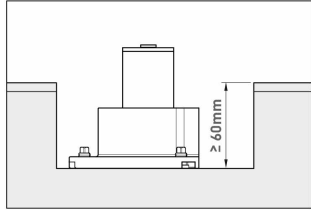
Installation



05

Installation

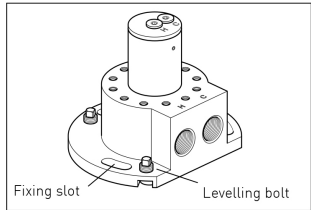
1



!! Please check for any hidden cables and pipes before drilling holes.

The base must be recessed below the final floor level by at least 60mm.

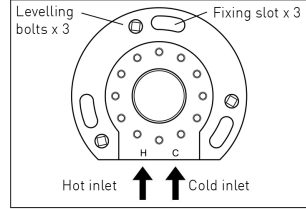
3



Position the base in the desired location, mark the 3 fixing holes. Remove the base and drill the 3 x holes to the required diameter and depth to suit your fixings.

Fit the base in position, but do not tighten. Use the adjusting screws to level the seat, when satisfied with the level, finally tighten the fixings.

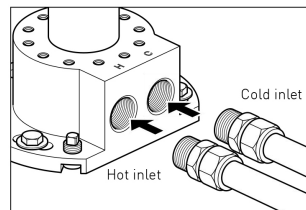
2



There are 3 fixing positions and 3 levelling bolts.

Use suitable fixings (not supplied) for your substrate e.g. expansion bolts for concrete, or coach screws for wood.

4

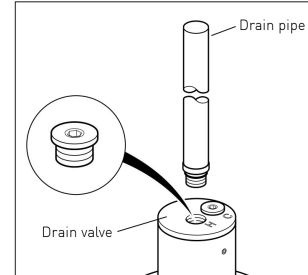


Connect the hot and cold supplies to the base. The hot should be fixed to the outlet marked **H** and the cold fixed to **C**. Turn on the water and check for any leaks in the pipe work.

Turn off the water supply.

Installation

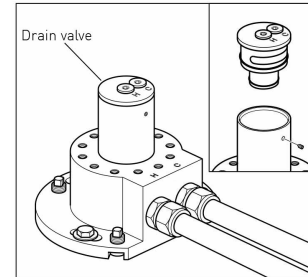
5



Using a hex key remove the blanking plug from the hot port of the drain valve. Screw on the drain pipe.

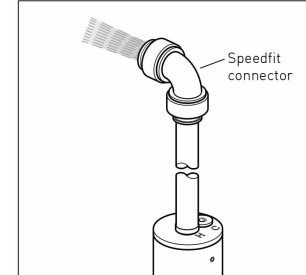
We recommend to push a speedfit connector (not supplied) on the end of the drain.

7



Remove the grub screw and pull the drain valve out of the base.

6



Turn on at the mains, and allow the debris and water to drain.

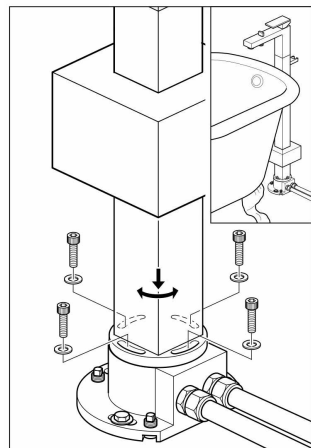
Turn off the water.

Remove the drain pipe, refit the blanking plug.

Repeat the same procedure for the cold port.

Installation

8

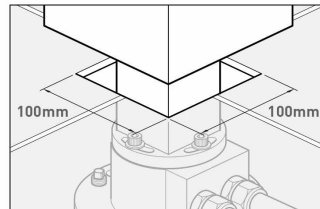


Carefully place the base connection onto the base making sure not to damage the seals on the base connection.

Rotate the tap/upstand until the outlet is in the desired position.

When satisfied, secure using the x 4 supplied cap screws and washers.

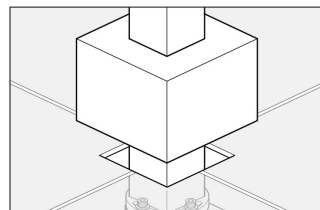
9



Finish the floor covering down to a dimension of 100mm x 100mm square.

Keep the tap/upstand protected while the floor is being completed.

10



Slide the shroud down until it makes connect with the floor.

!! Be sure to keep the shroud level, and lower both sides equally

08

Installation - shower

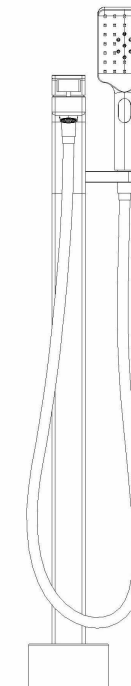
Handset

Place one of the rubber washer into the end of the hose and screw to the handset.

Place the cone into the bracket.

Outlet

Place the second rubber washer into the other end of the hose and attach it to the mixer outlet.



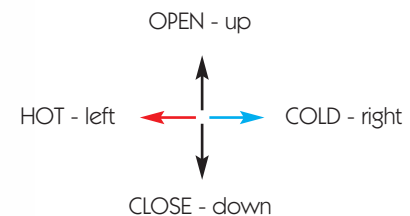
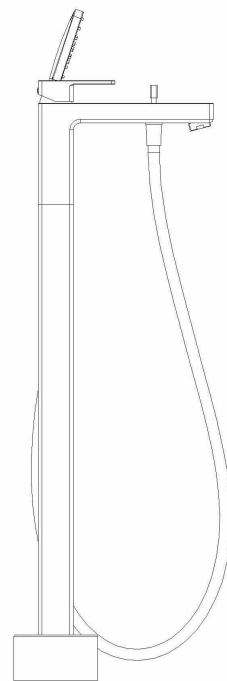
09

Operation

Moving the mixer lever upwards/downwards will increase/decrease the flow of water.

Moving the mixer lever from right to left will increase the water temperature.

Pull out the diverter to switch between the hand shower and bath mixer



Cleaning Instructions

The electroplating on this product is finished to the highest standard. Due care needs to be taken to ensure the appearance is retained.

We recommend cleaning all products with a soft damp cloth ONLY and advise strongly against the use of all aggressive/ corrosive cleaning products i.e. powders and liquids. If these instructions are not followed, this may invalidate your guarantee in the event of a problem occurring.