

# Important – Please Read

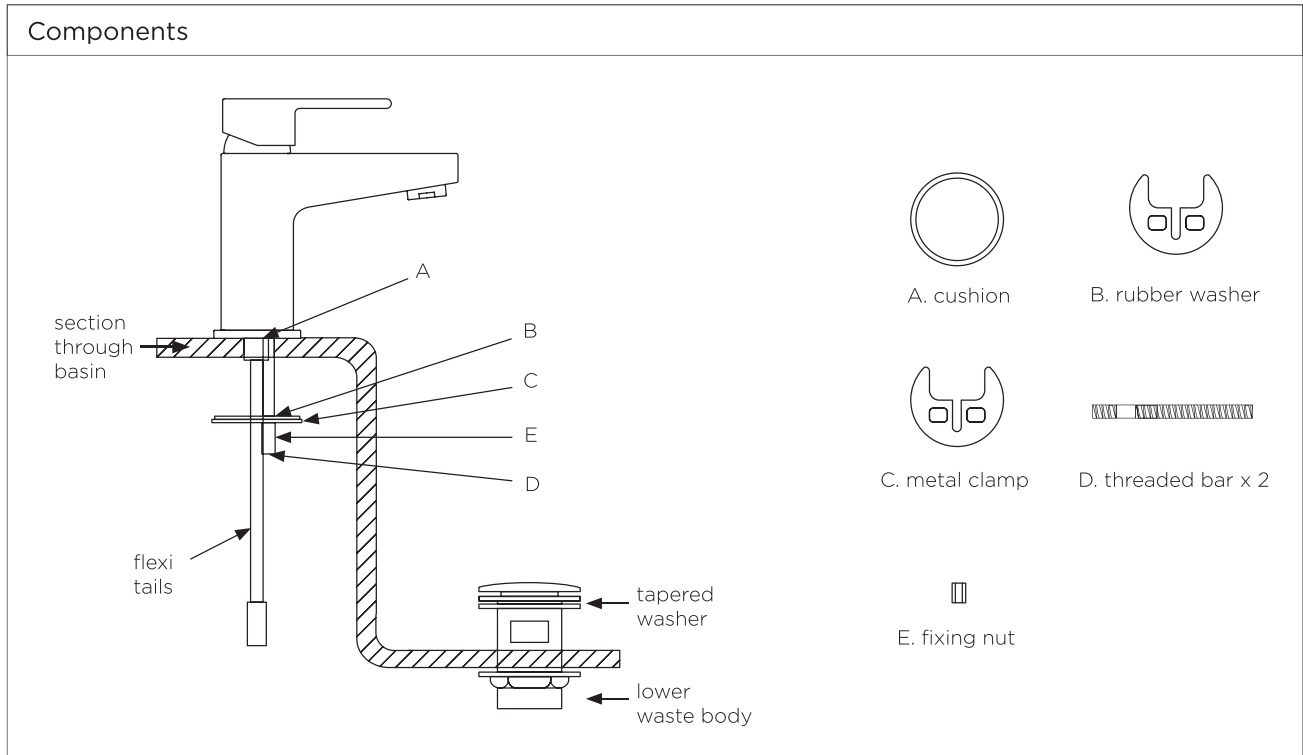
## INTRODUCTION

The Model supplied may vary from the image shown below. Please note that the general installation process for all Mono Basin Mixer fittings are the same and the following guide will take you through the process.

Before installation identify all components and inspect the product for any damage. A claim will not be accepted if an obvious defect is found after installation.

## IMPORTANT

If you are unsure of any part of the instructions in this document then we recommend that you contact a reputable qualified trades person.



## INSTALLATION

1. Basin tap sits on cushion [ A ].
2. Insert threaded bar into the base of the mixer body. Carefully install the flexible tails (style may vary) into the fitting. Be careful not to overtighten the tails.
3. Place fitting through the hole in the basin.
4. Insert rubber washer to the underside of the basin.
5. Insert metal clamp to the underside of basin.
6. Working below the basin, screw the fixing nut onto the threaded bar and tighten.
7. Install waste into basin using the tapered washer or suitable sealant.
8. Apply sealing washer to underside of basin.
9. Tighten lower part of waste body until seal is made.
10. Earth any new pipes adequately. If in any doubt we recommend that you contact a reputable qualified plumber.
11. Connect water supply pipes to inlet pipes, ensuring isolating valves (not supplied) are in position.
12. Ensure tap valves are in open position.
13. Open isolating valves.
14. Turn on hot and cold water supply, allow to run for a few minutes to flush out the piping system.
15. Check connections for watertightness

## Aftercare

During installation, extra care must be taken to avoid damaging the fitting or it's finish.

To maintain the appearance of the fitting, please ensure it is cleaned regularly using a clean soft damp cloth only. Do not use abrasive sponges, scouring agents, organic solvents or acidic cleaners as they may cause surface deterioration.