

## Important – Please Read

### INTRODUCTION

The Model supplied may vary from the image shown below. Please note that the general installation process for all slide rail kits are the same and the following guide will take you through the process. Before installation identify all components and inspect the product for any damage. A claim will not be accepted if an obvious defect is found after installation.

### IMPORTANT

If you are unsure of any part of the instructions in this document then we recommend that you contact a reputable qualified trades person.

### INSTALLATION

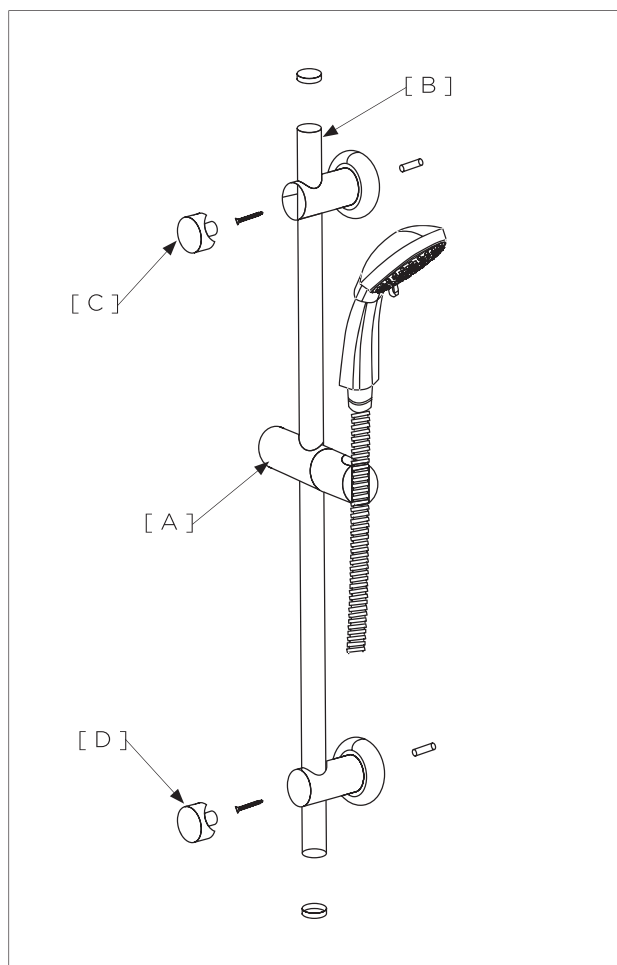
1) Put the handset holder [ A ] through the sliding bar [ B ] by pressing down the button on the holder

2) Fix the top and bottom wall brackets at the appropriate height on the wall

Make sure the bar goes through both the top and bottom brackets

3) Put the covers [ C ] & [ D ] on the brackets, make sure the leg at the bottom of the cover fits into the hole of the bar (to prevent it from rotating during use)

4) Connect the handset hose to the bar valve outlet and handset.



### Aftercare

During installation, extra care must be taken to avoid damaging the fitting or it's finish.

To maintain the appearance of the fitting, please ensure it is cleaned regularly using a clean soft damp cloth only. Do not use abrasive sponges, scouring agents, organic solvents or acidic cleaners as they may cause surface deterioration.