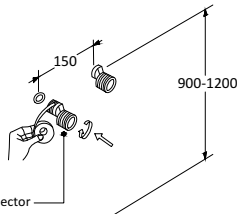
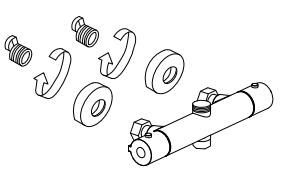
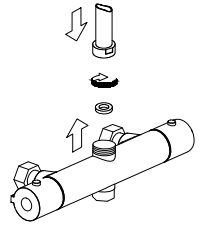
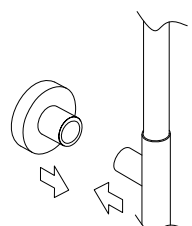
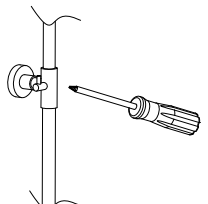
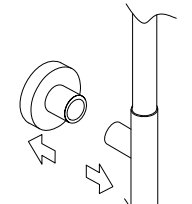
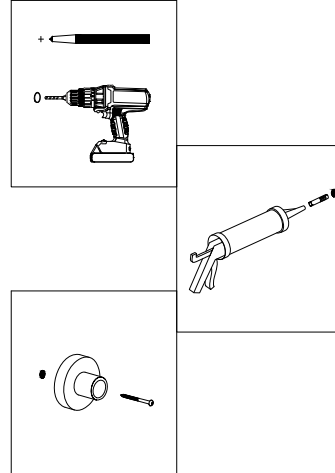
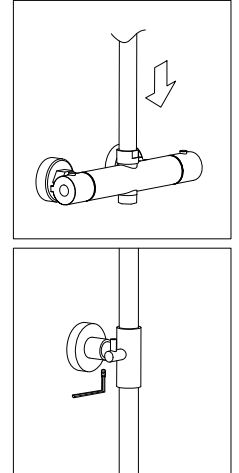
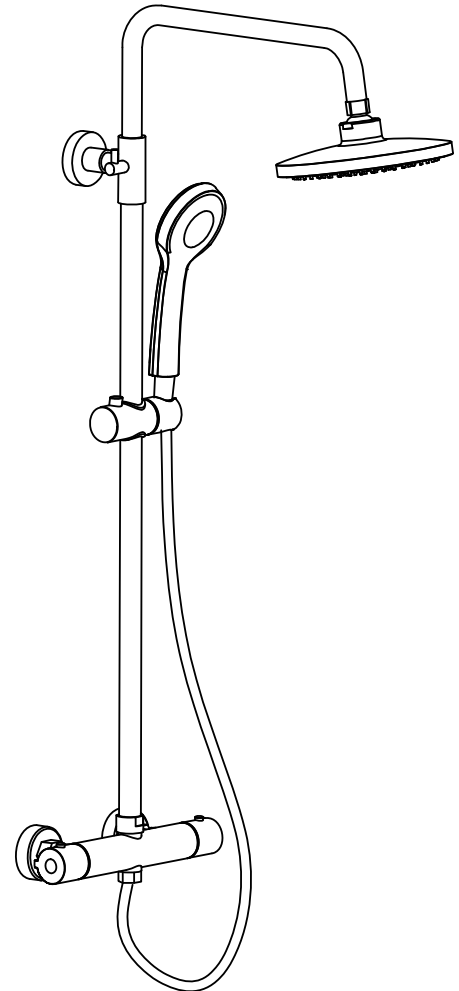


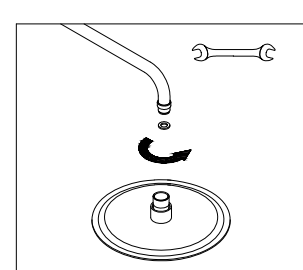
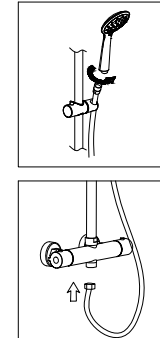
# Important – Please Read

## INSTALLATION

1. Please check that all components are present.
2. Before installation ensure that all feed lines are clear of debris and isolation service valves are fitted for any subsequent servicing that may be required.
3. Ensure water pressure is 1 bar minimum.
4. Pictures in the manual are general in content and may not represent exactly your purchased shower unit. If you are having difficulties please contact a professional plumber.

<p><b>1</b></p>  <p>Offset Connector</p> <p>Apply PTFE tape to threads of offset connectors; connect offset connectors onto inlet pipes.</p>	<p><b>2</b></p>  <p>Fit decorative covers over the offset connectors. Then insert sealing washer into nut and tighten onto offset connectors with wrench, being careful not to damage the chrome finish on the connecting nuts.</p>
<p><b>3</b></p>  <p>Install the riser into the top outlet of the shower valve.</p>	<p><b>4</b></p>  <p>Fit the wall bracket to the riser kit</p>
<p><b>5</b></p>  <p>Make sure the riser is level, mark the position of the screw holes on the wall bracket.</p>	<p><b>6</b></p>  <p>Remove the riser.</p>
<p><b>7</b></p>  <p>Drill the screw holes and install the wall plugs. To create a seal, apply a small amount of silicone on the inside of the wall plug.</p>	<p><b>8</b></p>  <p>Install the riser on the wall bracket, tighten the screw.</p>



<p><b>9</b></p>  <p>Install the shower head.</p>	<p><b>10</b></p>  <p>Connect the shower hose to the bottom outlet on the shower valve, and screw the conical end to the shower handset. Place the conical end of the shower flex into the parking bracket on the riser rail.</p>
--	---