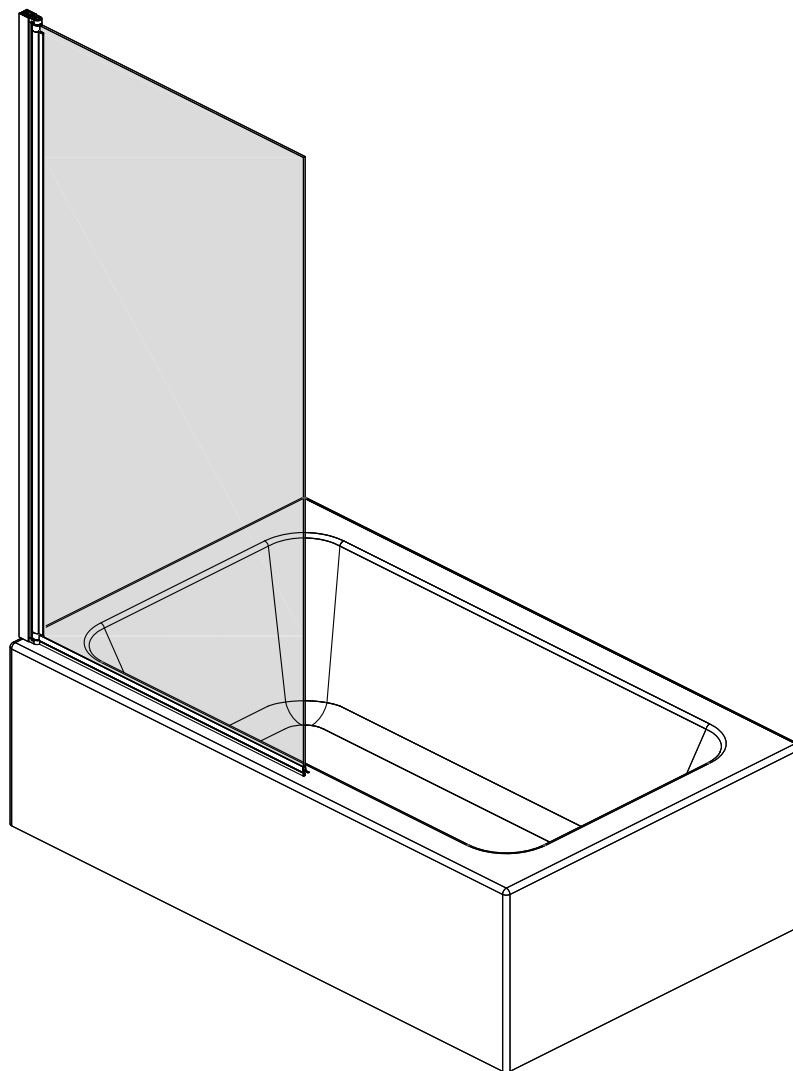


Important – Please Read

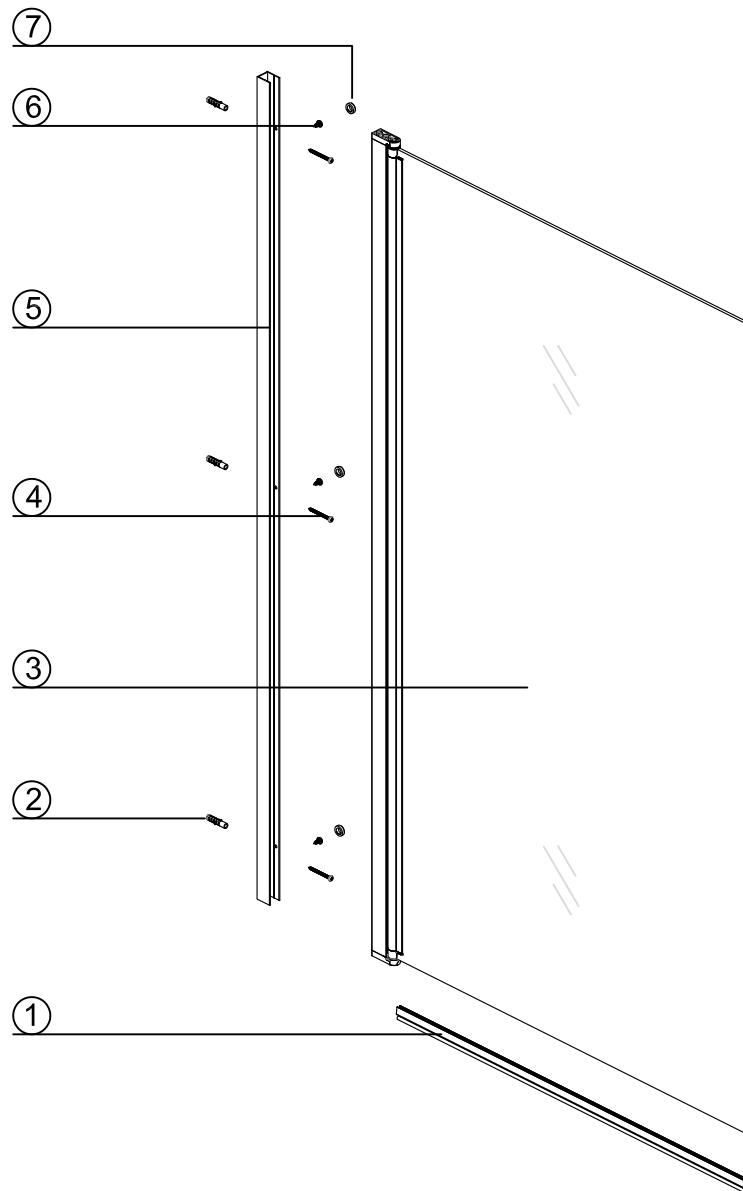


C0393-A00-01

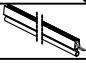






If you need further help , Please contact your local depot www.ctb.co.uk

Important – Please Read

Parts Identification



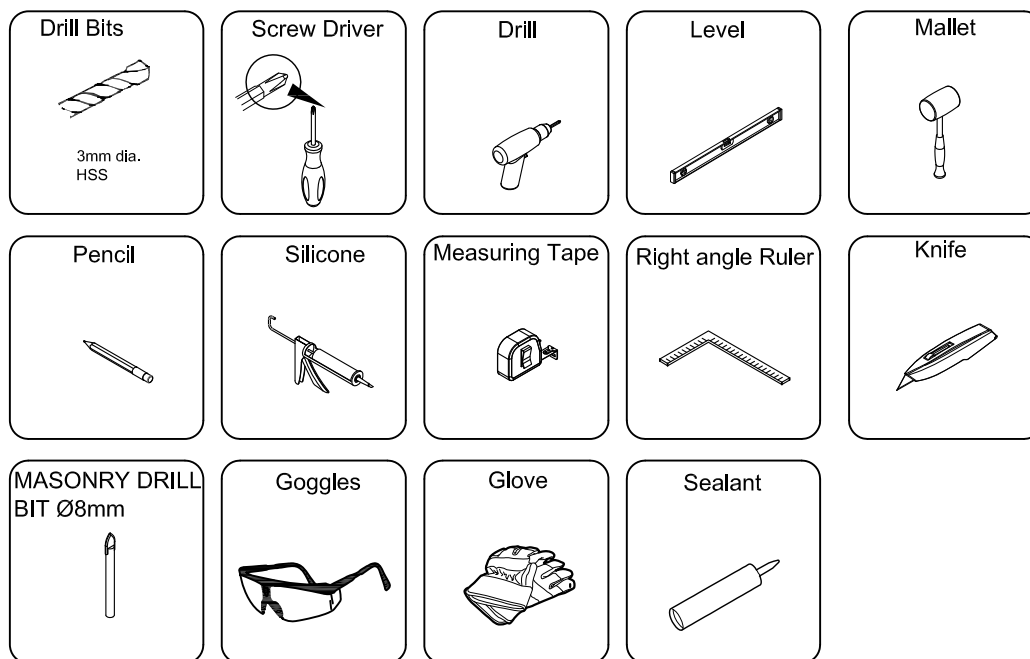
Components List

No.	Drawing	Description	Qty
1		PVC seal	1
2		Wall plug	3
3		Door Glass	1
4		No.8x1 3/4" Pozi Pan Screw	3
5		Wall Profile	1
6		No.8x 3/8" Pozi Pan Screw	3
7		Screw Cover Cap	3

If you need further help , Please contact your local depot www.ctb.co.uk

Important – Please Read

Tools required



Things to check before you start

*Check that the bath has been installed correctly and that it is level, tiled down onto and sealed to the manufacturer's guidelines.

***check**

*Ensure the product is fitted to a non-porous surface ie. tiled and that the shower area is water proof. Check that the wall surface is flat.

*Unpack and check the product is complete and undamaged.

*Please check you are happy with the product before installing it.

*Fixings are supplied for solid walls only. Ensure that the correct fixings are used for the wall type.
–if in doubt seek professional advice

*Ensure the area is clean, dry and dust free.

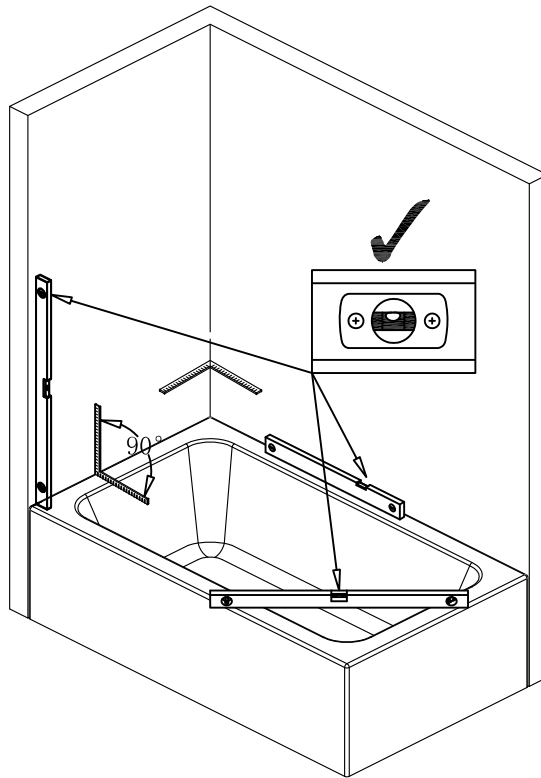
*Read the instructions in full.

*Have the correct tools available, see "Tools Required"

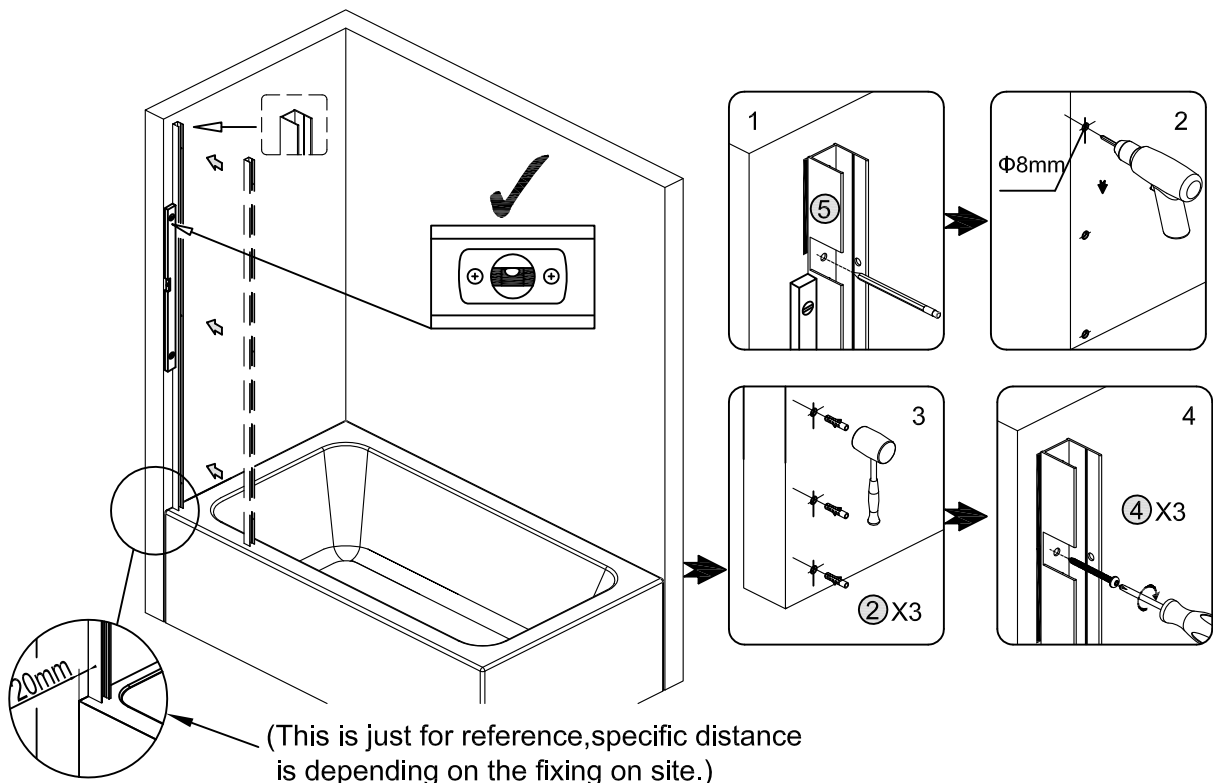
*Please dispose of all packaging with due regard to the environment.

If you need further help , Please contact your local depot www.ctb.co.uk

LEVEL

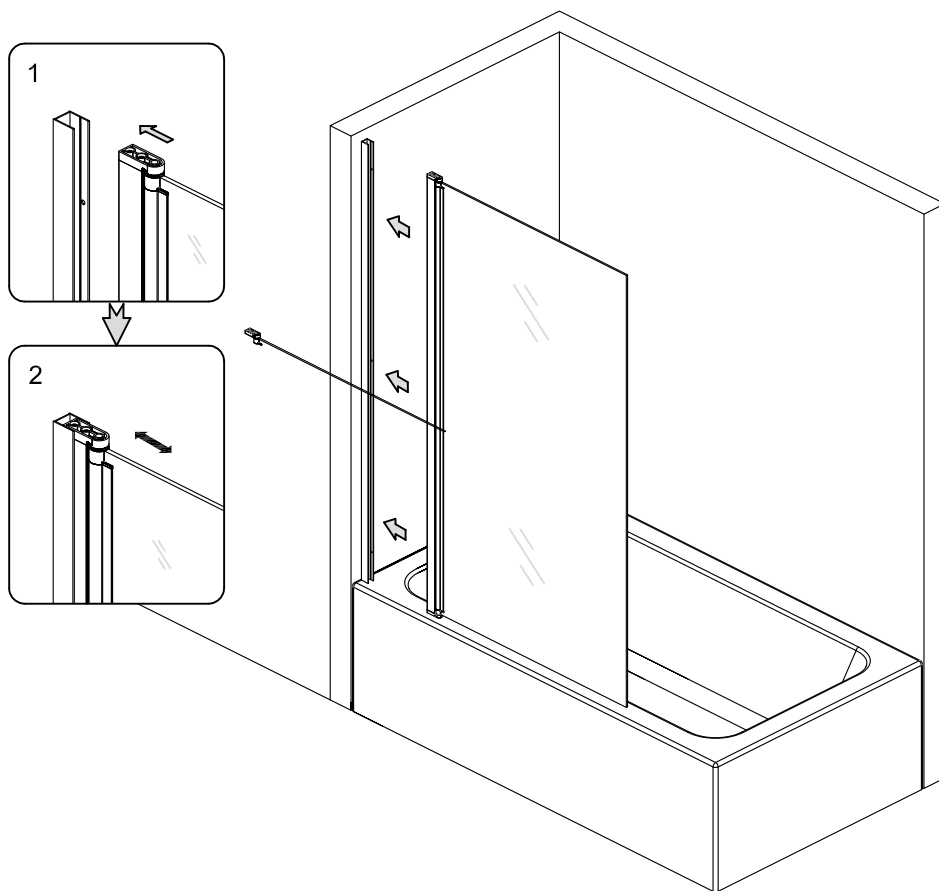


Verify screen location is level, plumb, and square. Check dimensions of bath to ensure proper fit of screen

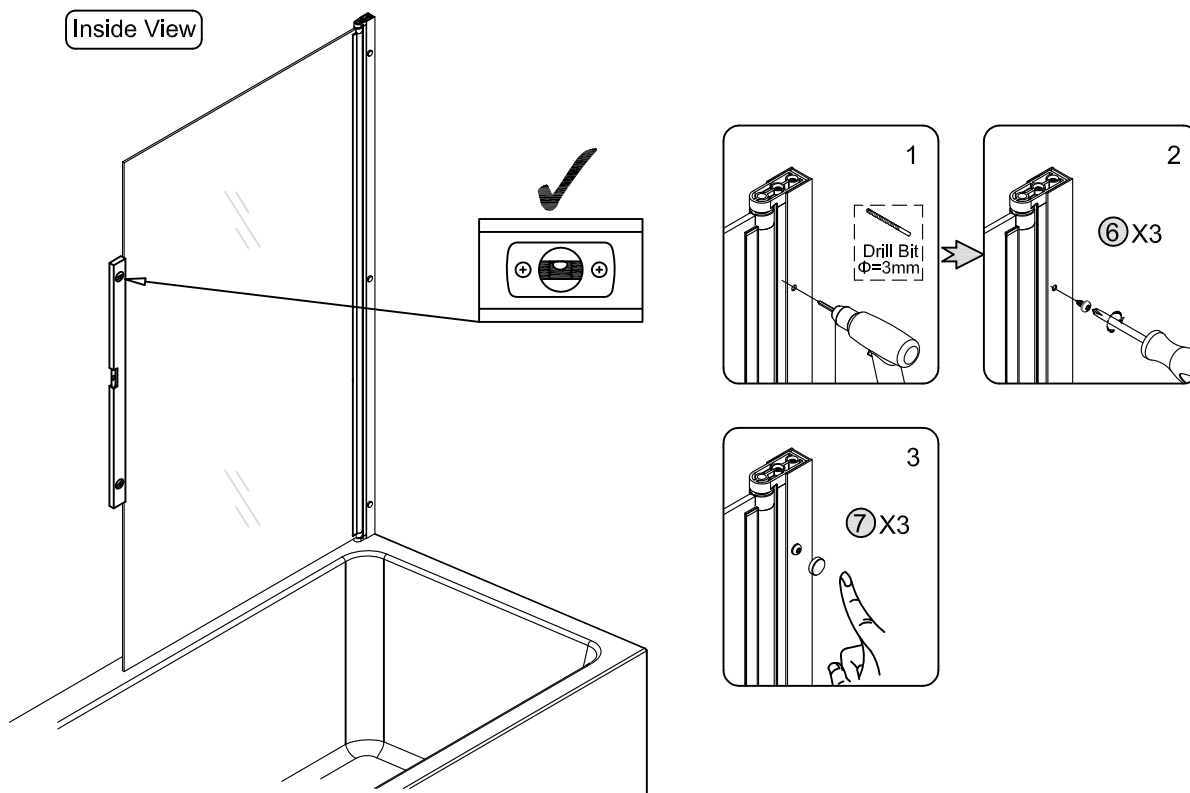


If you need further help , Please contact your local depot www.ctb.co.uk

Installation Door Glass



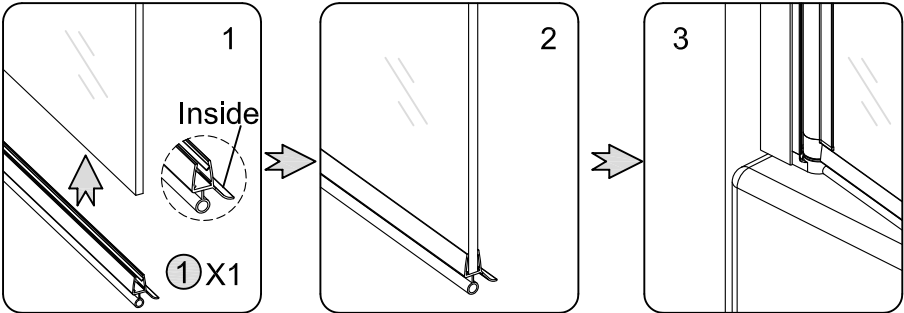
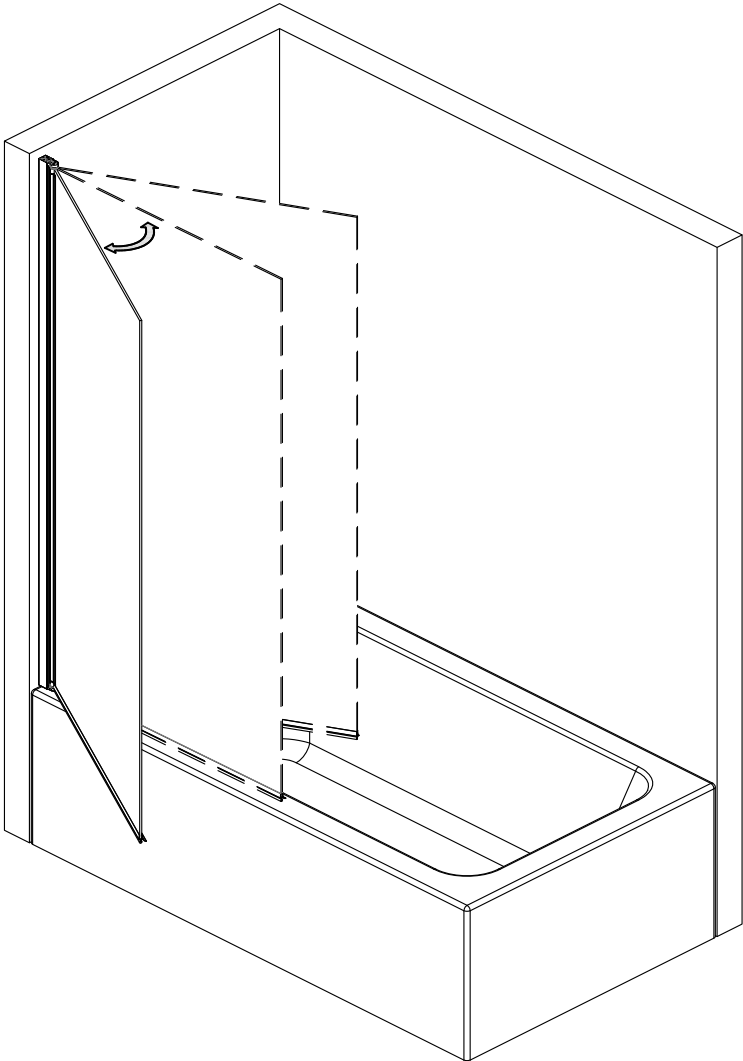
Inside View



If you need further help , Please contact your local depot www.ctb.co.uk

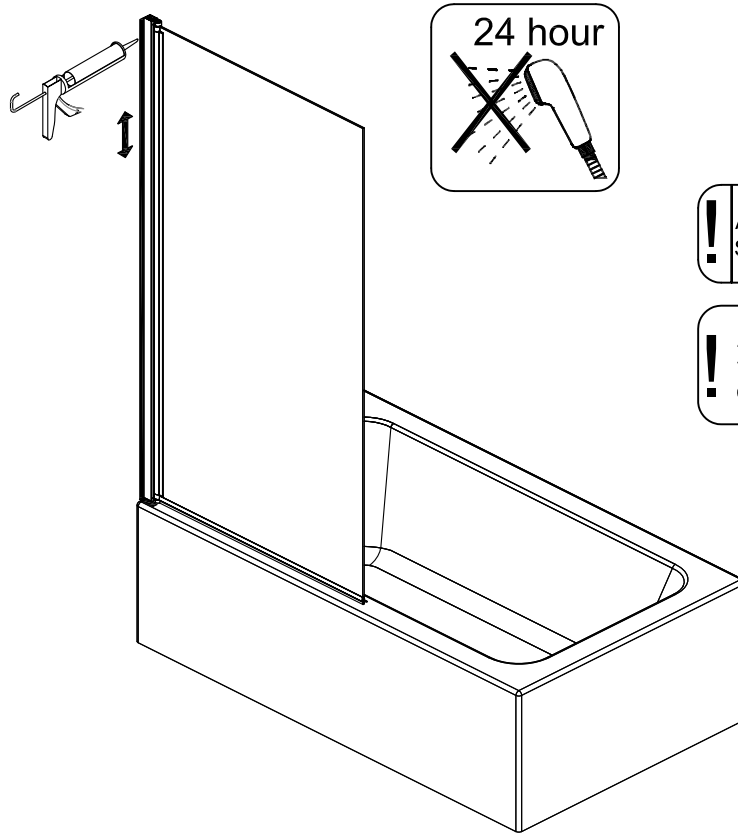
Important – Please Read

Installation PVC seal



If you need further help , Please contact your local depot www.ctb.co.uk

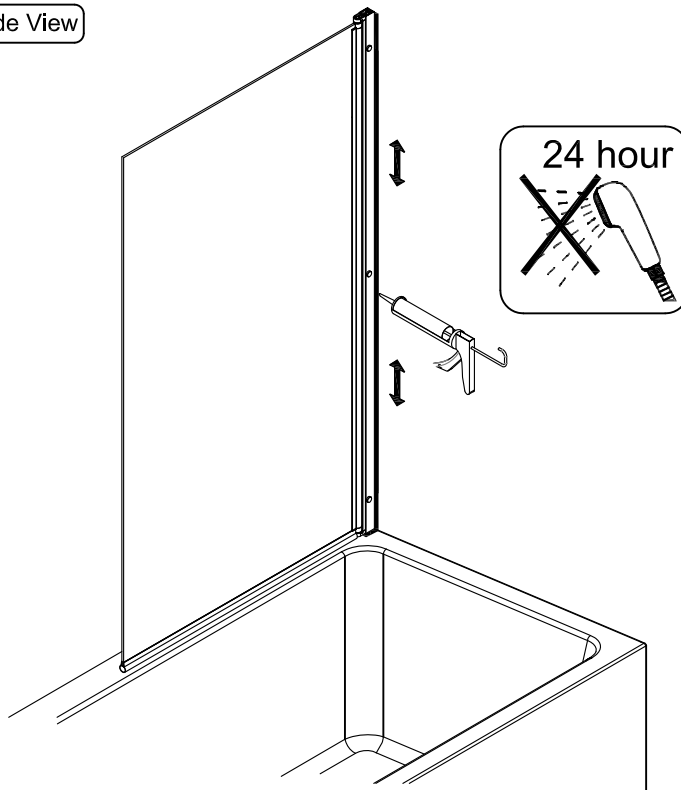
Sealing



! Apply Silicone Sealant, (not supplied).

! Apply Silicone Sealant vertically between Wall Channel and wall

Inside View



! Apply Silicone Sealant, (not supplied).

! Apply Silicone Sealant vertically between Wall Channel and wall

If you need further help , Please contact your local depot www.ctb.co.uk