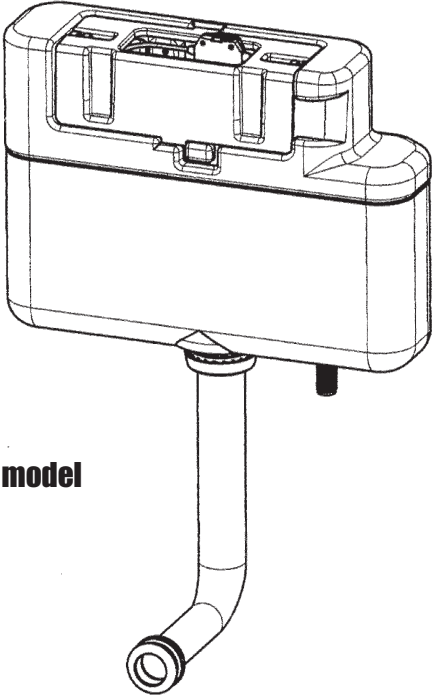
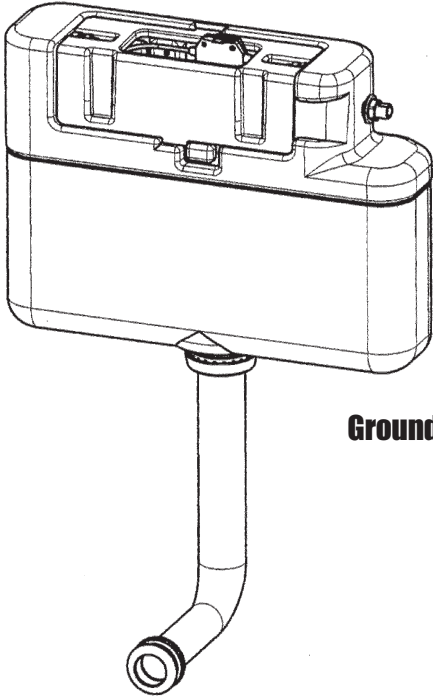
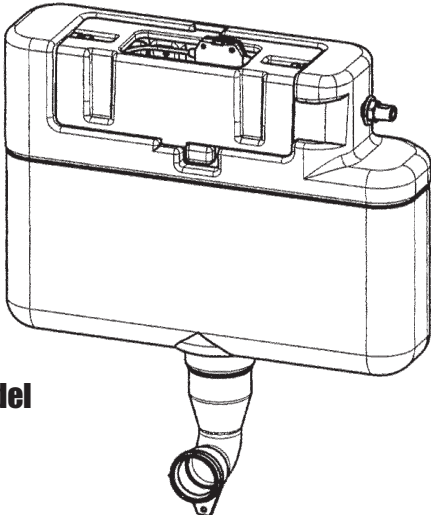
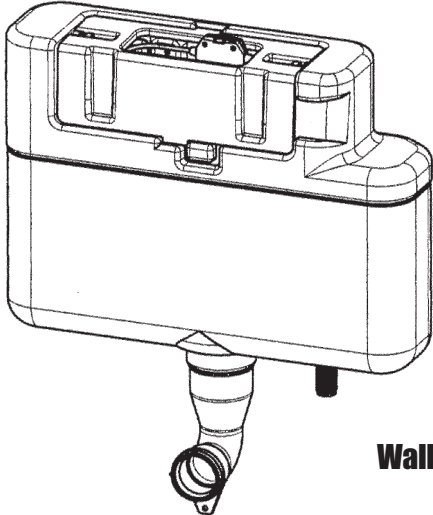


Important – Please Read



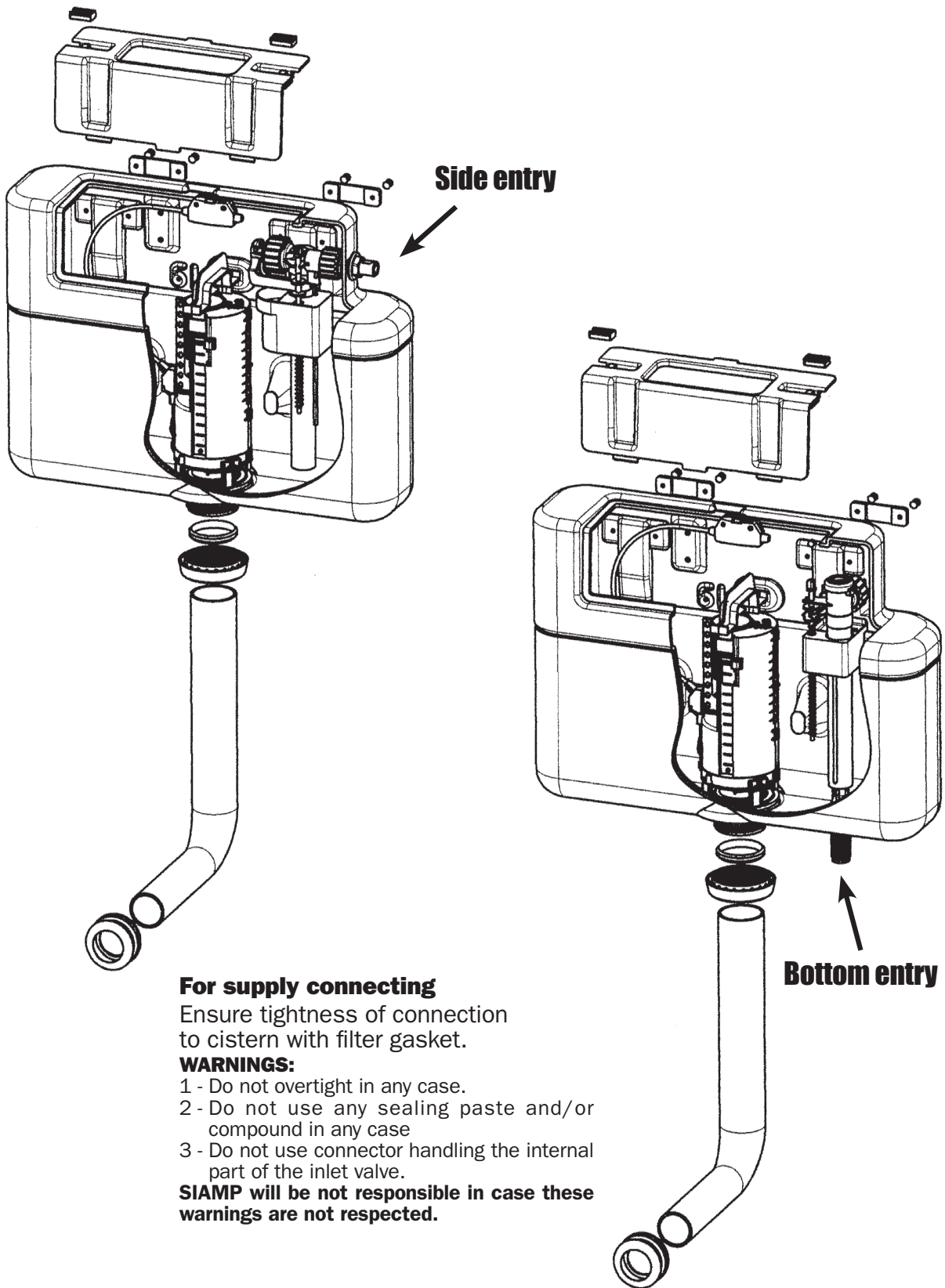
Ground fixed pan model



Wall hung pan model

CISTERN FOR FURNITURE AND BACK TO WALL

GROUND FIXED PAN MODEL



For supply connecting

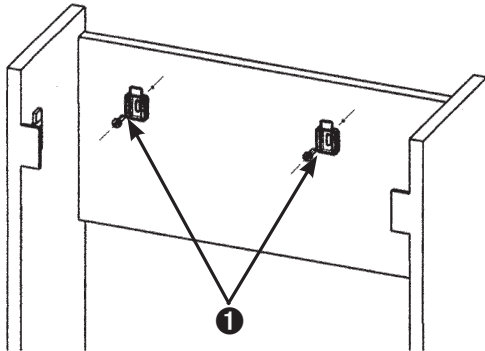
Ensure tightness of connection to cistern with filter gasket.

WARNINGS:

- 1 - Do not overtight in any case.
- 2 - Do not use any sealing paste and/or compound in any case
- 3 - Do not use connector handling the internal part of the inlet valve.

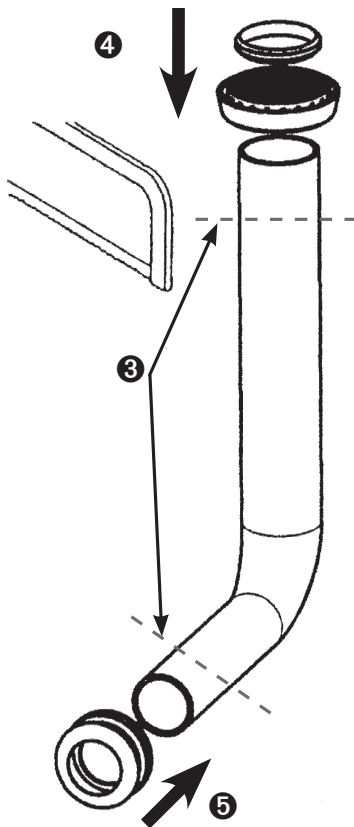
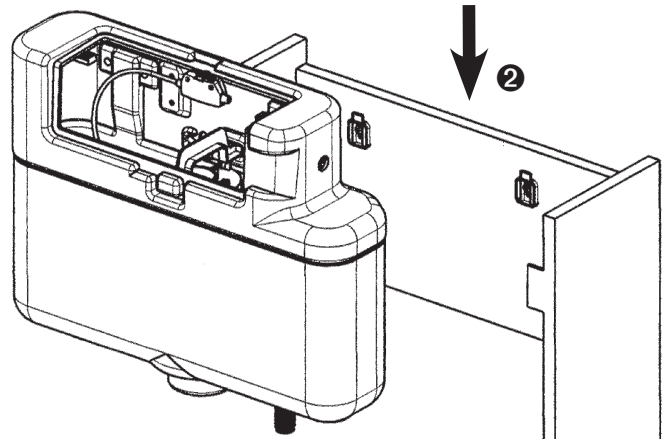
SIAMP will not be responsible in case these warnings are not respected.

I - ATTACHING THE CISTERN



1 Attach the cistern attachment lugs

2 Position the cistern



3 Adjust the supply sleeve to the position of the toilet bowl (height and length)

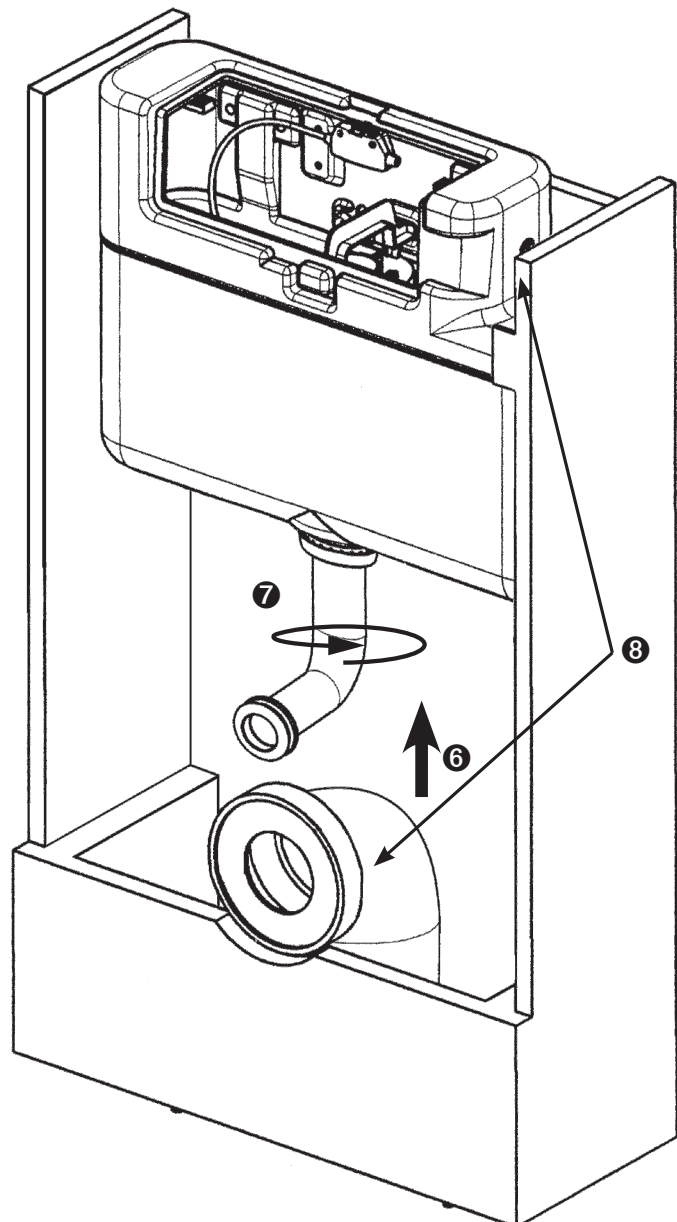
4 Fit the supply sleeve nut and the seal

5 Position the toilet bowl seal

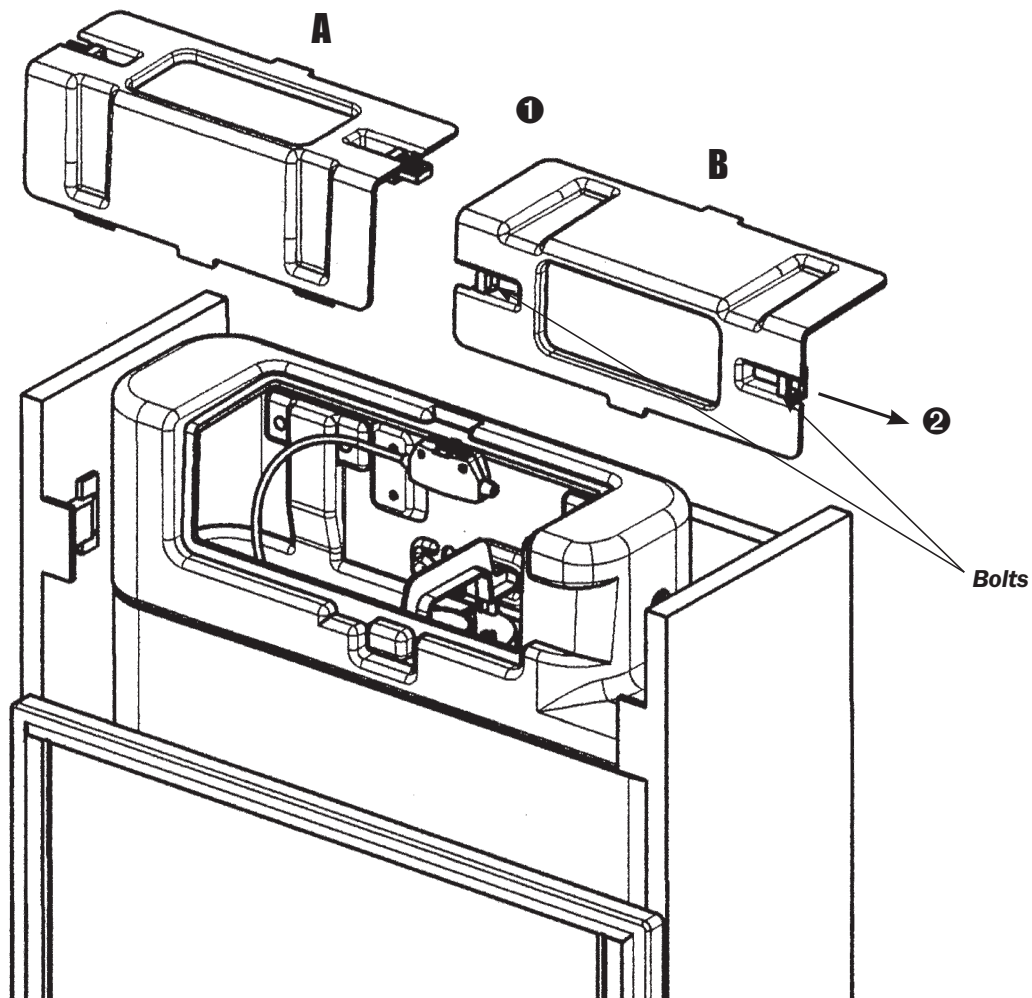
6 Insert the supply sleeve in the cistern

7 Tighten the supply sleeve nut

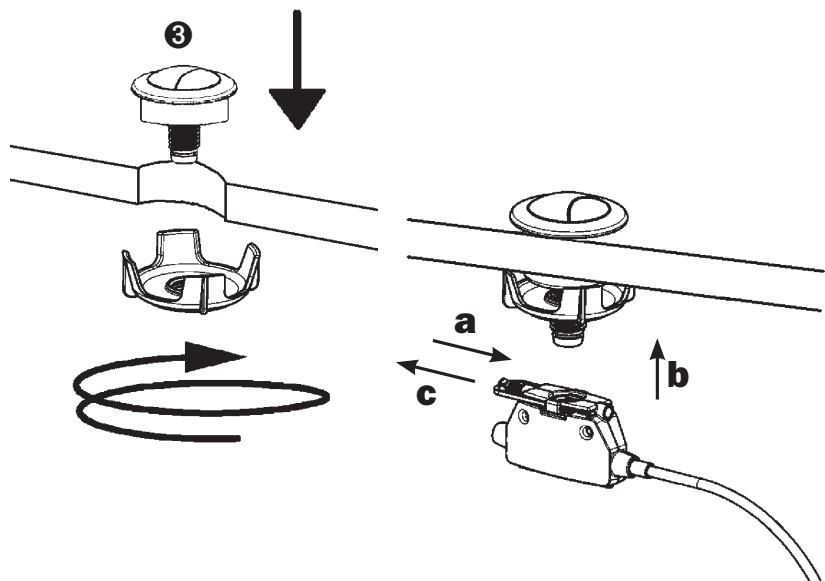
8 Connect the supply sleeve and the drain sleeve, reinstall the front of the cabinet and position the toilet bowl.



II - FLUSH BUTTON INSTALLATION

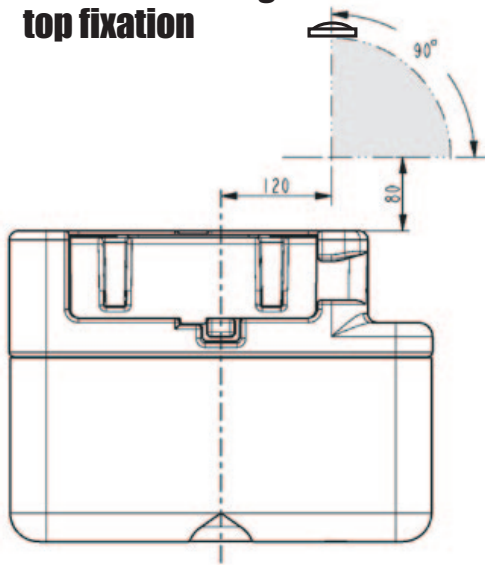


- 1 Position the closing plate according to the type of control (top control (A) or front control (B))
- 2 Attach the plate with the bolts
- 3 Position the button:
 - place button on panel and screw button nut
 - clip cable case
 - Place panel back on top or front of furniture
- 4 Close the furniture or panel

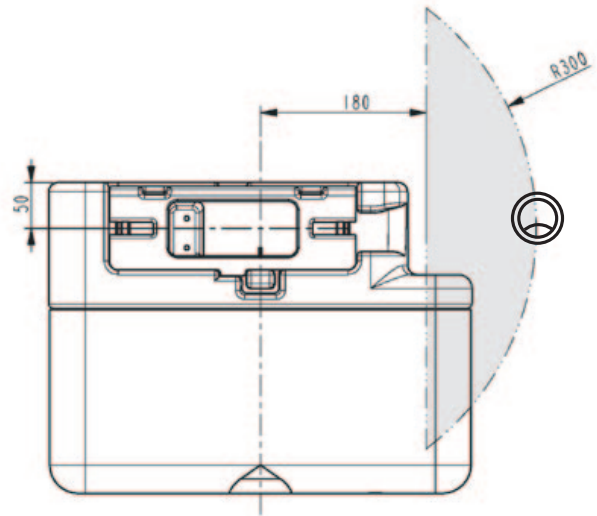


Important – Please Read

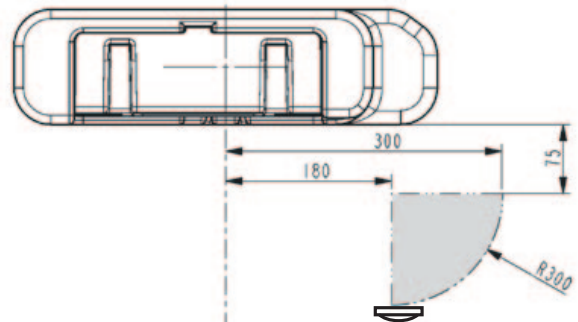
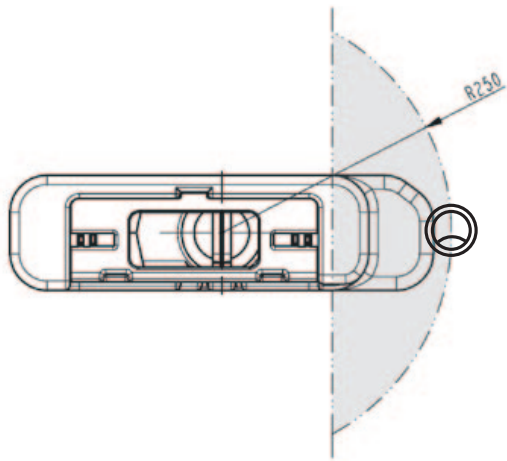
Installation range top fixation



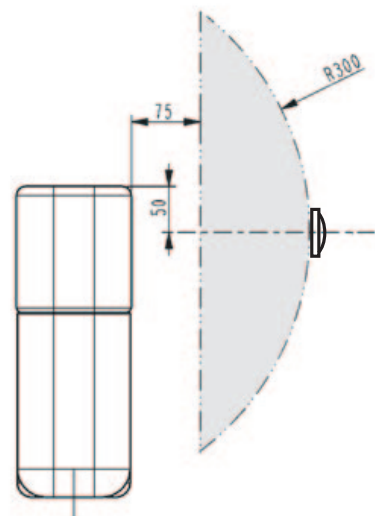
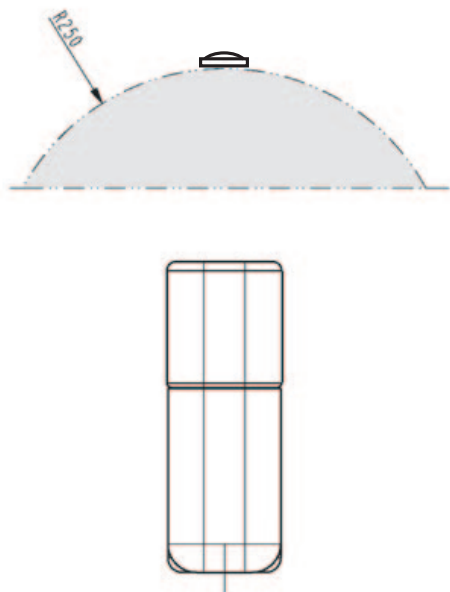
Installation range front fixation



Cistern front view

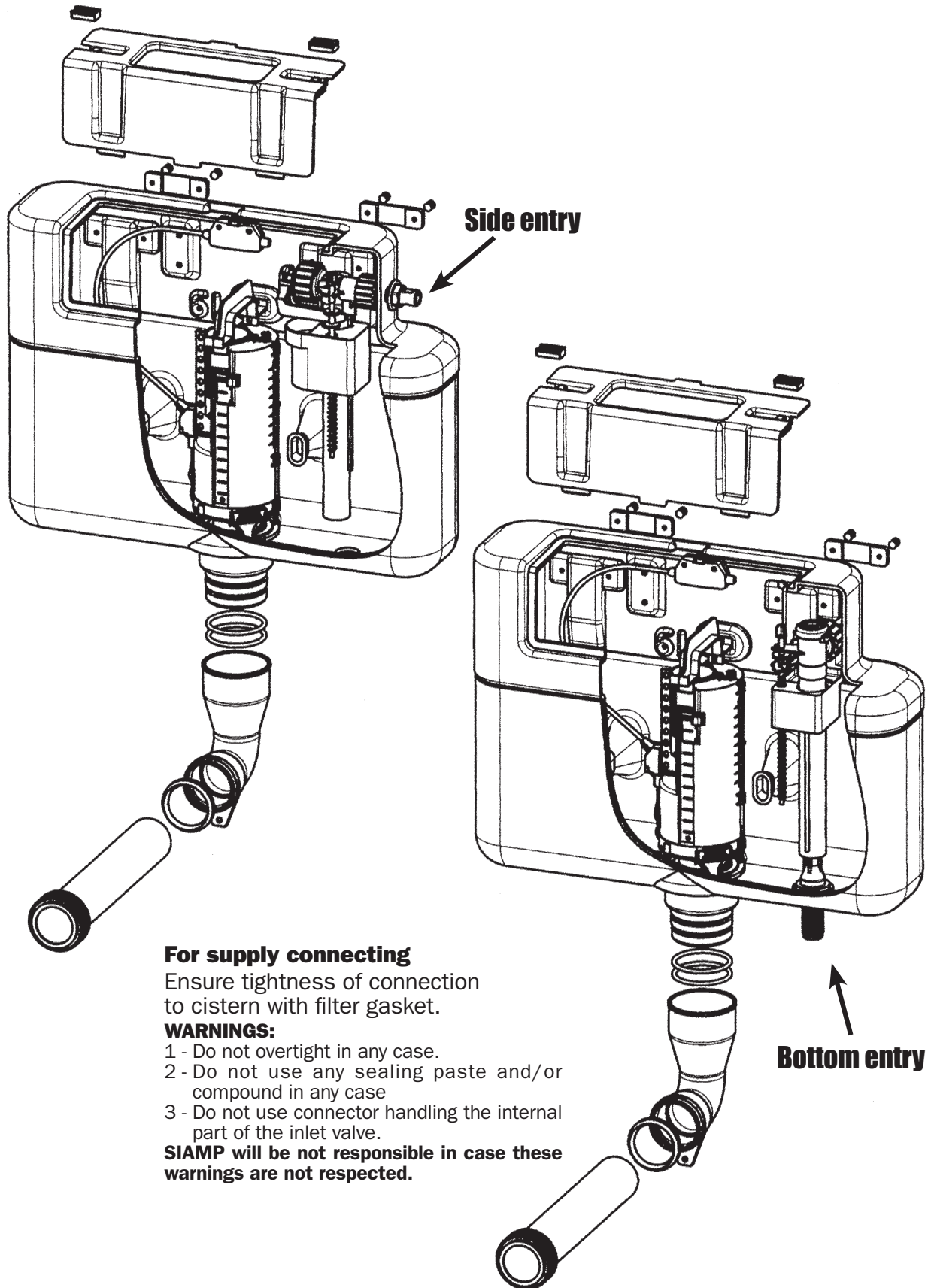


Cistern top view



Cistern side view

WALL HUNG PAN MODEL



For supply connecting

Ensure tightness of connection to cistern with filter gasket.

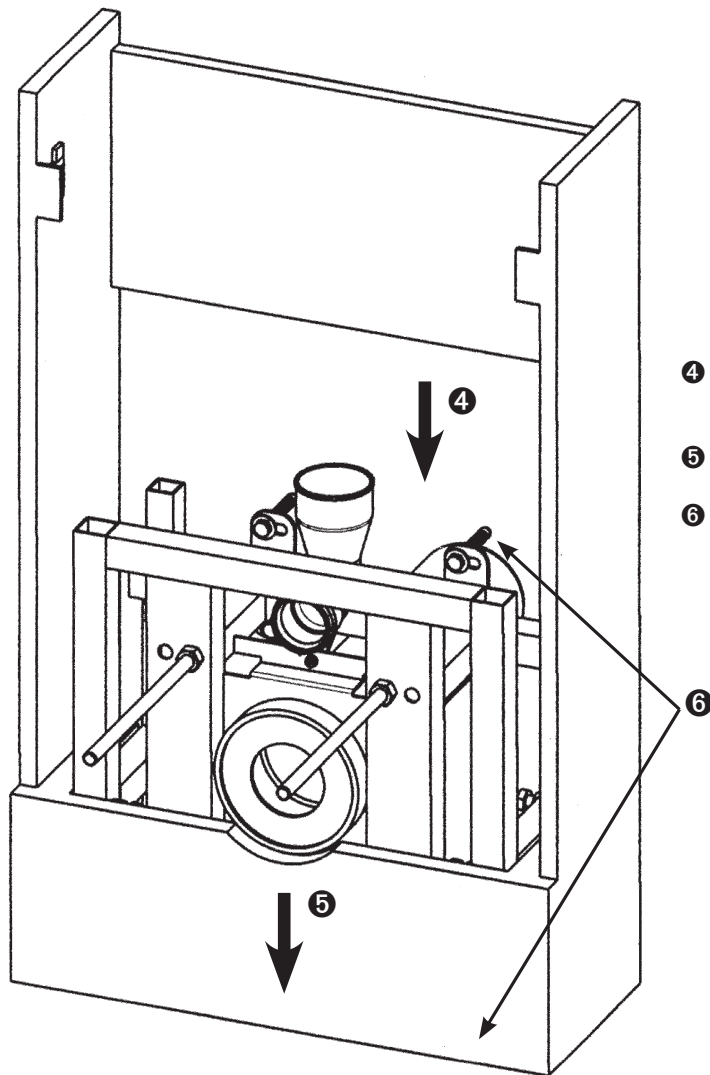
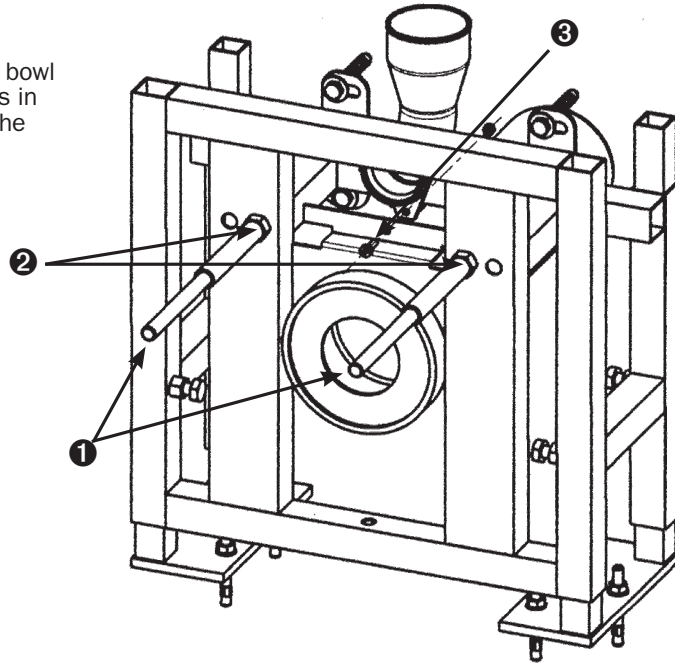
WARNINGS:

- 1 - Do not overtight in any case.
- 2 - Do not use any sealing paste and/or compound in any case
- 3 - Do not use connector handling the internal part of the inlet valve.

SIAMP will be not responsible in case these warnings are not respected.

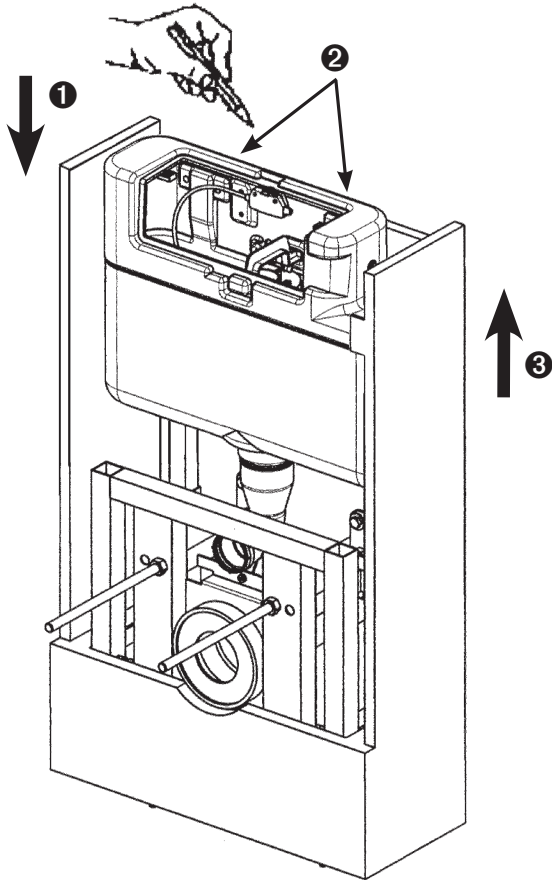
I - INSTALLING THE TOILET BOWL FRAME

- 1 Measure the centre distance of the toilet bowl and insert the toilet bowl attachment rods in the holes in the frame corresponding to the centre distance
- 2 Lock the rods with the nuts
- 3 Attach the supply sleeve

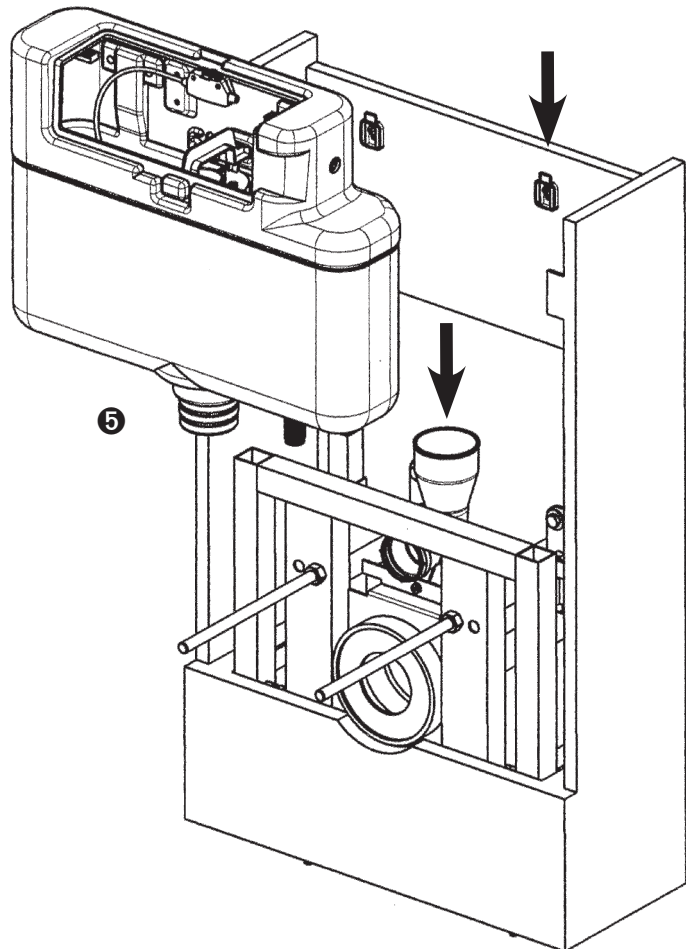
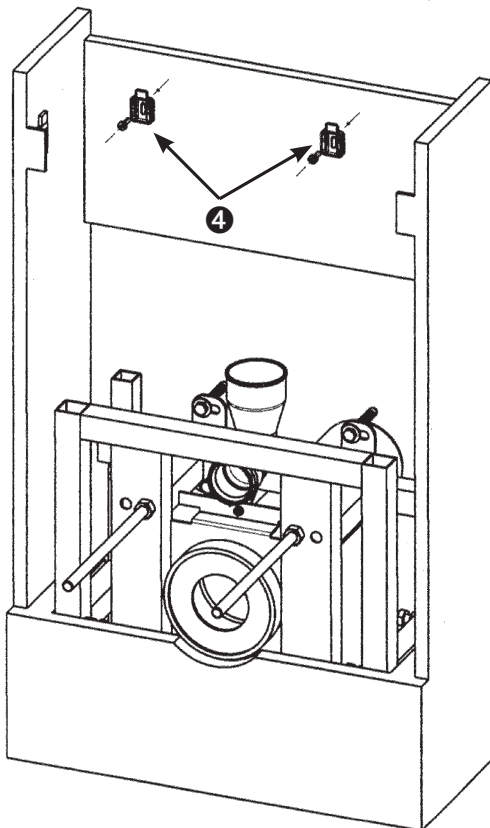


- 4 Position the toilet bowl frame in the furniture or duct
- 5 Connect the drain sleeve
- 6 Attach the toilet bowl frame to the floor and to the wall.

II - ATTACHING THE CISTERN

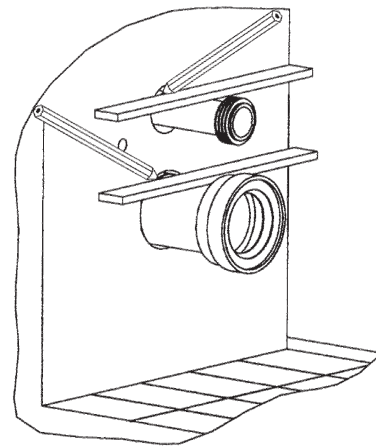
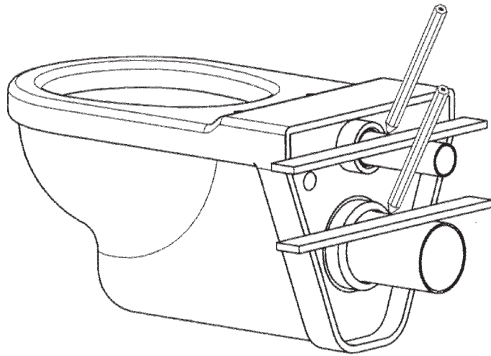


- 1 Position the cistern temporarily on the supply sleeve
- 2 Mark the position of the cistern attachment lugs on the furniture
- 3 Remove the cistern
- 4 Attach the cistern attachment lugs and insure they are level



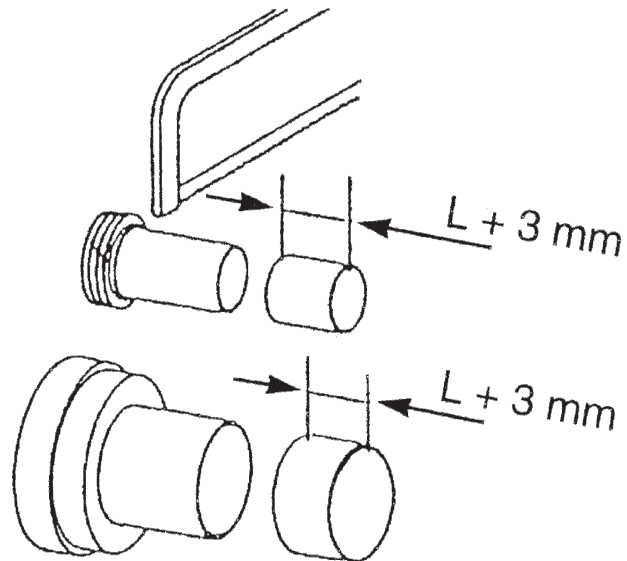
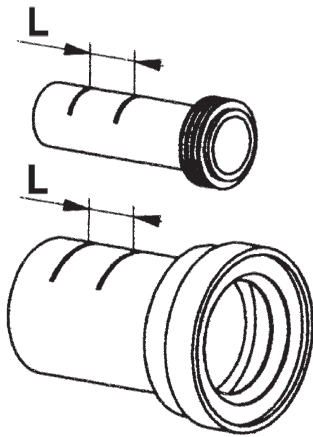
- 5 Position the cistern permanently.

III - TOILET BOWL CONNECTION



❶ Using a rule placed as shown in the above drawing, draw a mark on the toilet bowl side, on the two sleeves.

❷ Remove the sleeves from the toilet bowl and fit them to the frame. Using a rule placed as shown in the drawing above, make a mark on the wall side, on the two sleeves

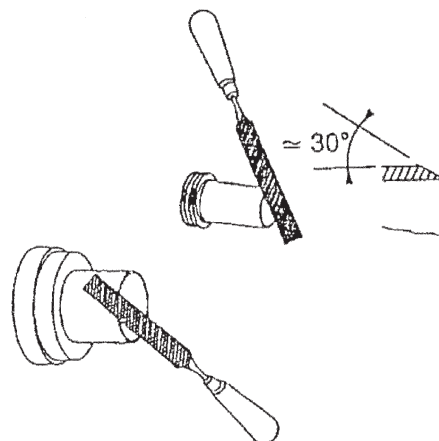


❸ For each of the sleeves, measure the dimension (L) between the two marks.

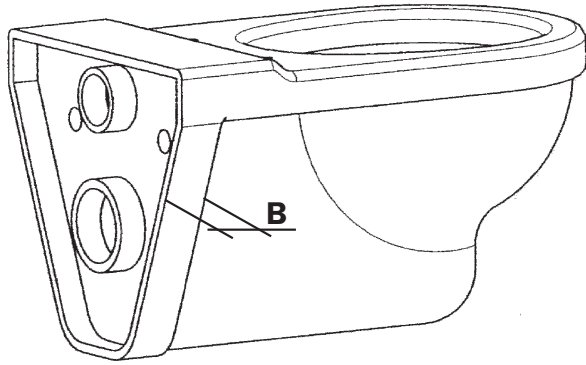
❹ Transfer this dimension (L) by increasing by 3 mm at the end (frame side) the size obtained on each sleeve. For instance, if L = 50 mm, shorten the sleeve by 53 mm.

❺ Cut the sleeves using a hack saw.

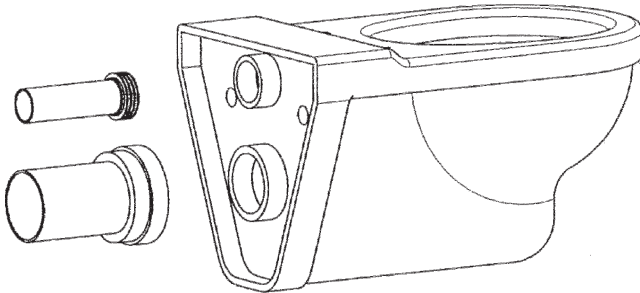
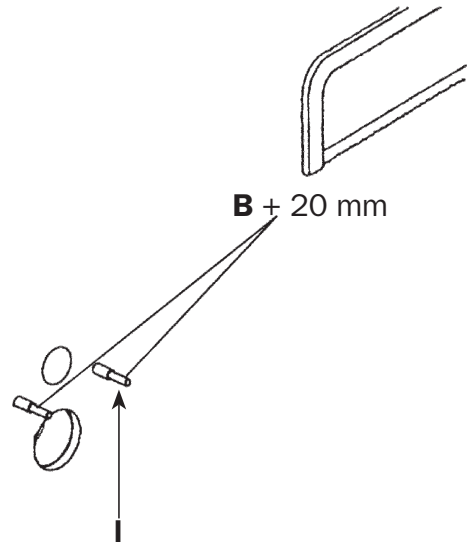
❻ Deburr the cut pipes using a file



Important – Please Read

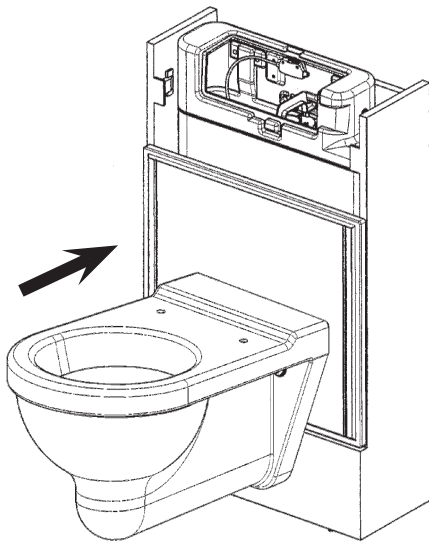


- 7 Measure the thickness at the rear of the toilet bowl (B)
- 8 If necessary, cut the attaching rods (l) so that the part protruding from the wall measures (B) + 20 mm
- 9 Shorten the flexible sheaths (j) so that the part protruding from the wall measures (B) - 15 mm

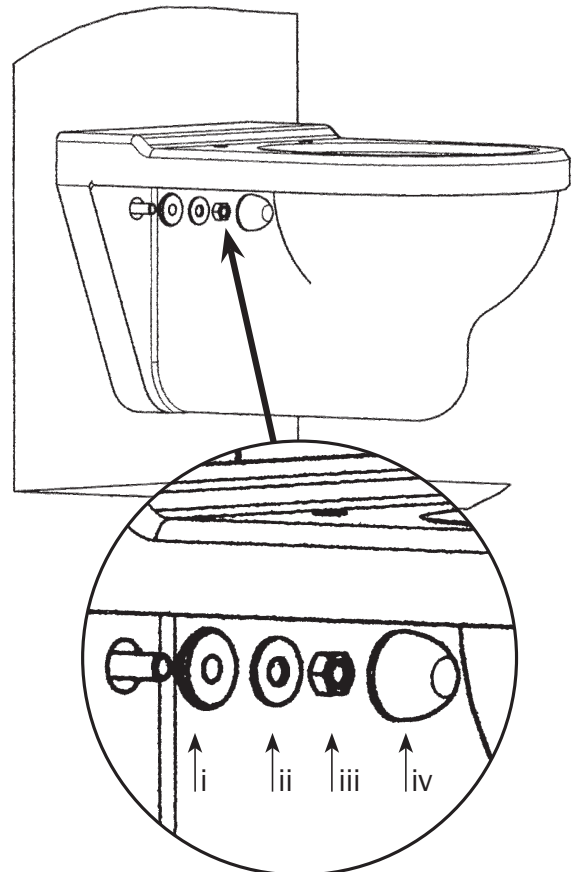


- 10 Fit the supply sleeve (h) and the drain sleeve onto the toilet bowl. Then position the toilet bowl on the two attaching rods.

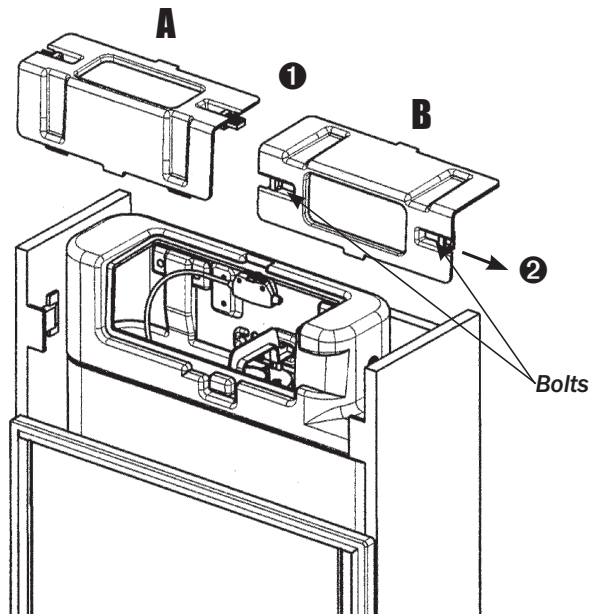
⚠ To facilitate the fitting of the drain sleeve onto the bowl and the pipe, use soapy water.



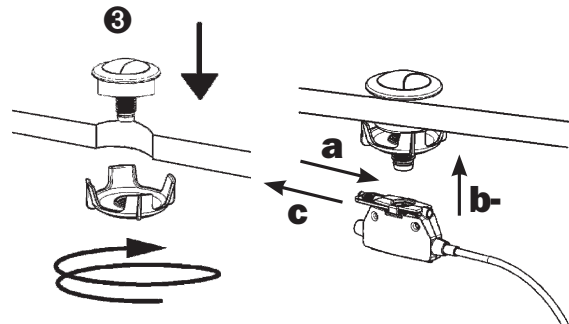
- 11 When the toilet bowl is correctly positioned, attach it using the toilet bowl fixing kit complying with the part stacking order:
i = centering washer
ii = metal washer
iii = nut
iv = cover
- 12 Connect the supply sleeve



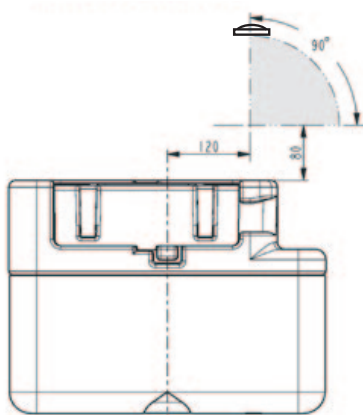
IV - FLUSH BUTTON INSTALLATION



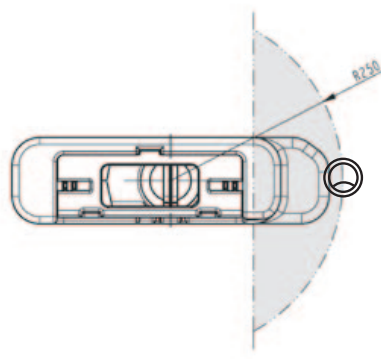
- ❶ Position the closing plate according to the type of control (top control (A) or front control (B))
- ❷ Attach the plate with the bolts
- ❸ Position the button:
 - place button and screw button nut
 - clip cable case
 - Place lid back on top or front of furniture
- ❹ Close the furniture.



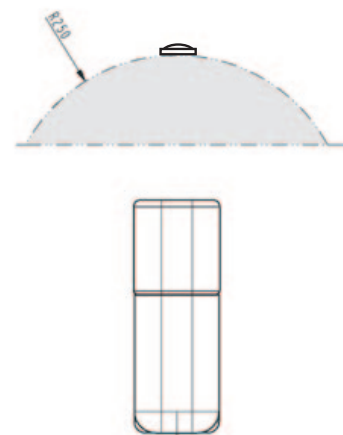
Installation range top fixation



Cistern front view

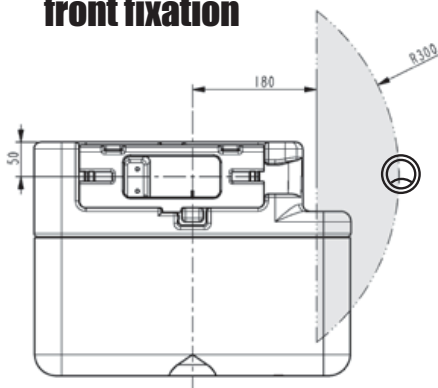


Cistern top view

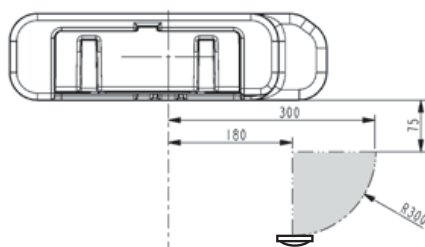


Cistern side view

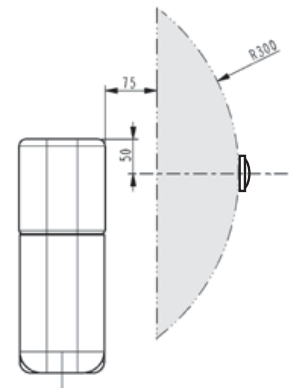
Installation range front fixation



Cistern front view



Cistern top view



Cistern side view