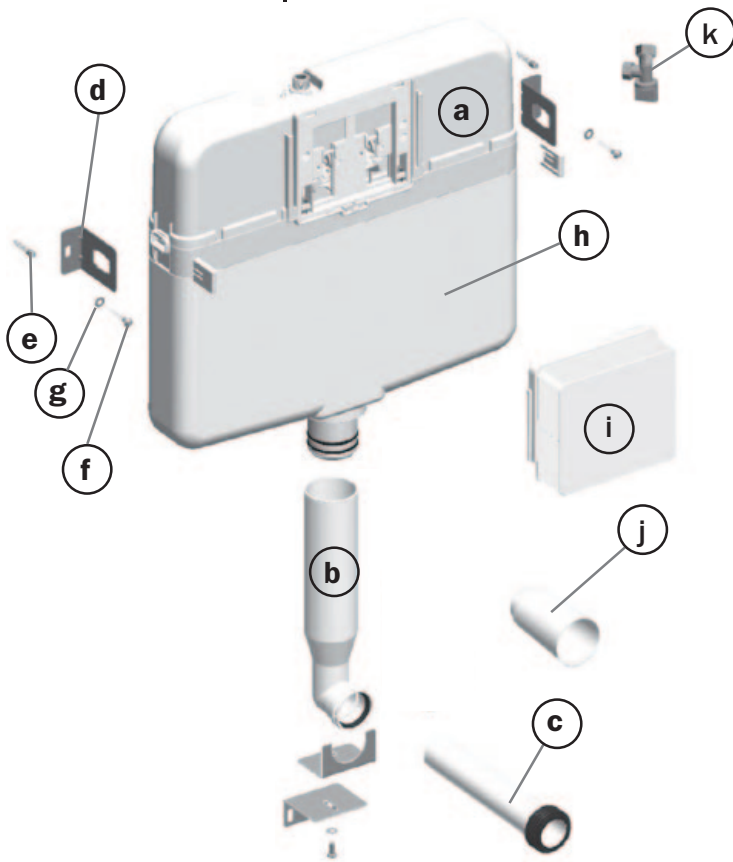


Important – Please Read

DESCRIPTION

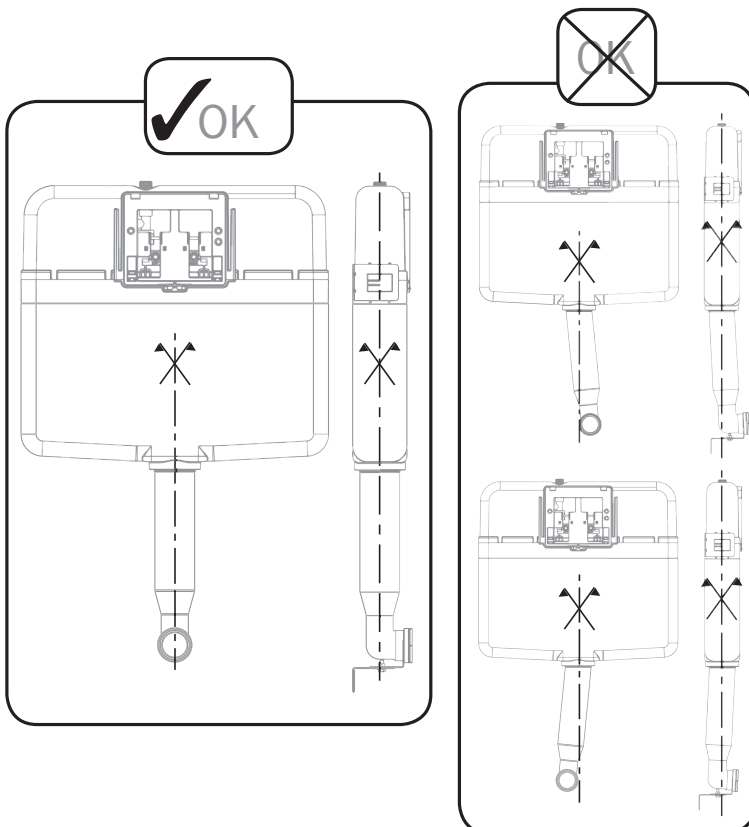


Tools required:



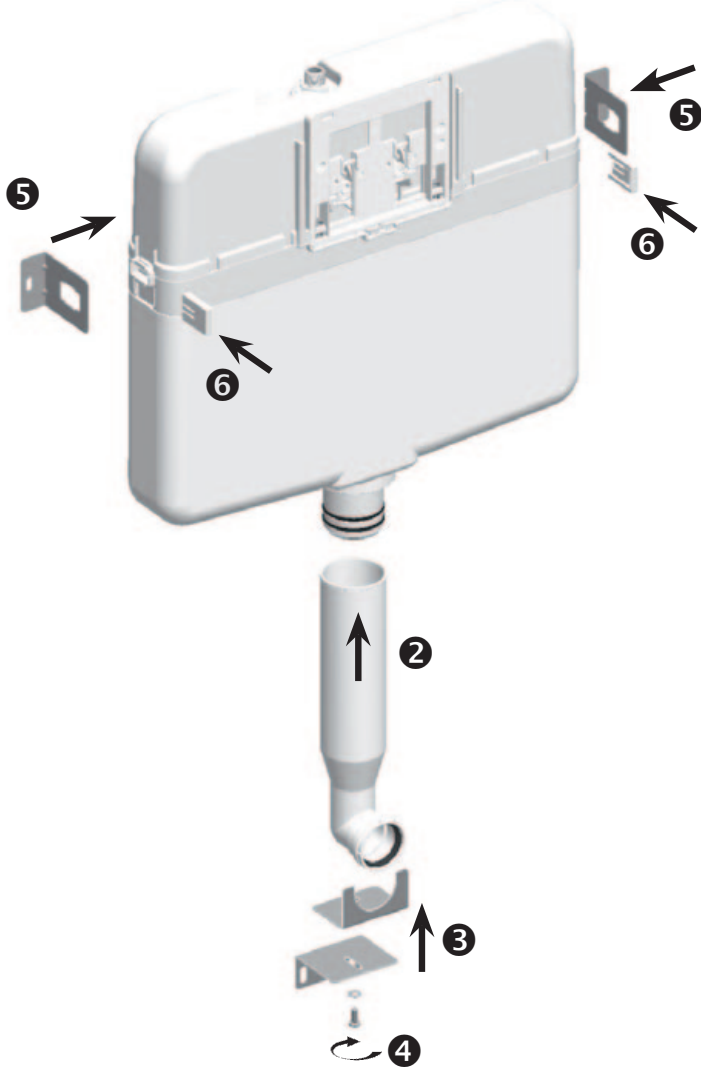
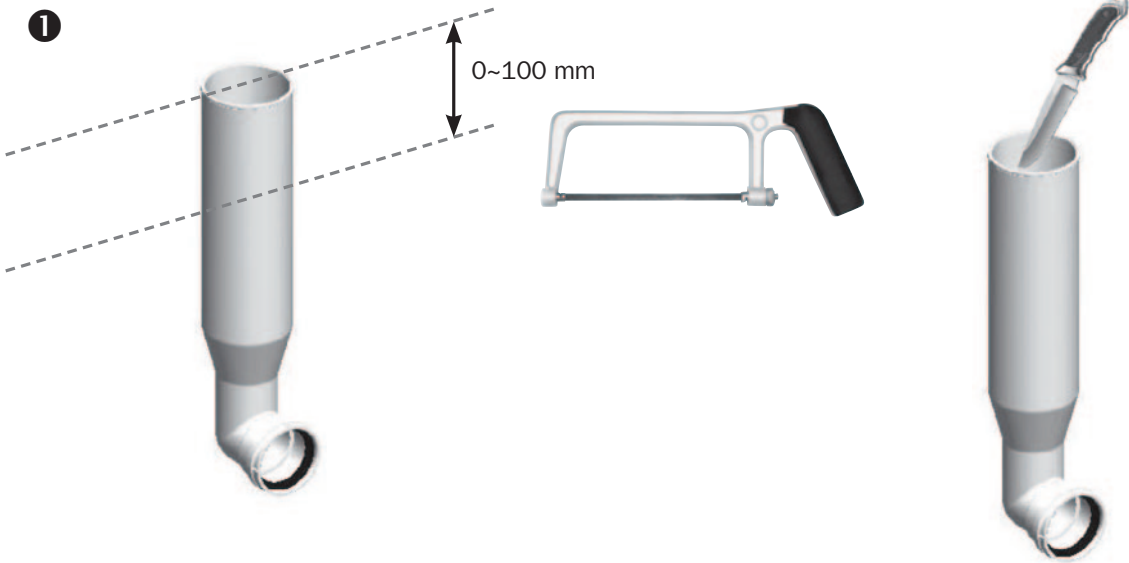
Advice:

- Keep this notice for any future maintenance
- ⚠ Read the instructions supplied with the bowl, the seat cover, the cistern and the pressurised water supply system before starting installation work.
- ⚠ Before fitting the cistern, the supply pipe should be flushed clear.
 - 1 / The internal Equilibrium valve was designed to be used with clear, non aggressive water supplied under a pressure from 1 bar (15 p.s.i) to 10 bars (150 p.s.i). It is fitted with a filter to prevent foreign bodies from impeding the flow. This filter may require occasional cleaning. Proceed as described page 16.
 - 2 / The internal stop valve should be regularly turned off and on to ensure that it remains serviceable.
- ⚠ Siamp shall not be responsible or liable for improper installation of the product or of any cistern fitting damage caused by the use of cleaners containing chlorine.

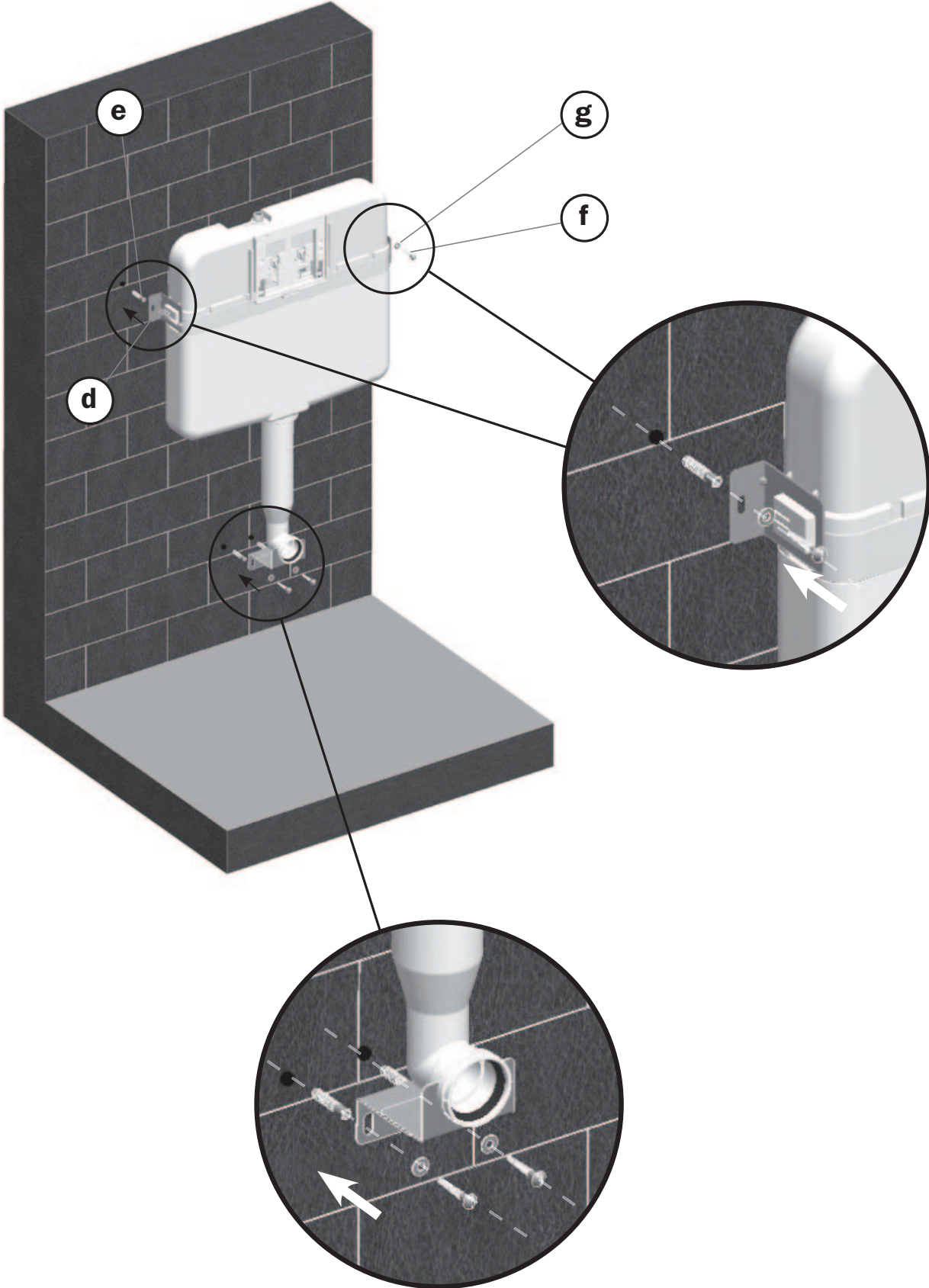


Important – Please Read

PREPARATION

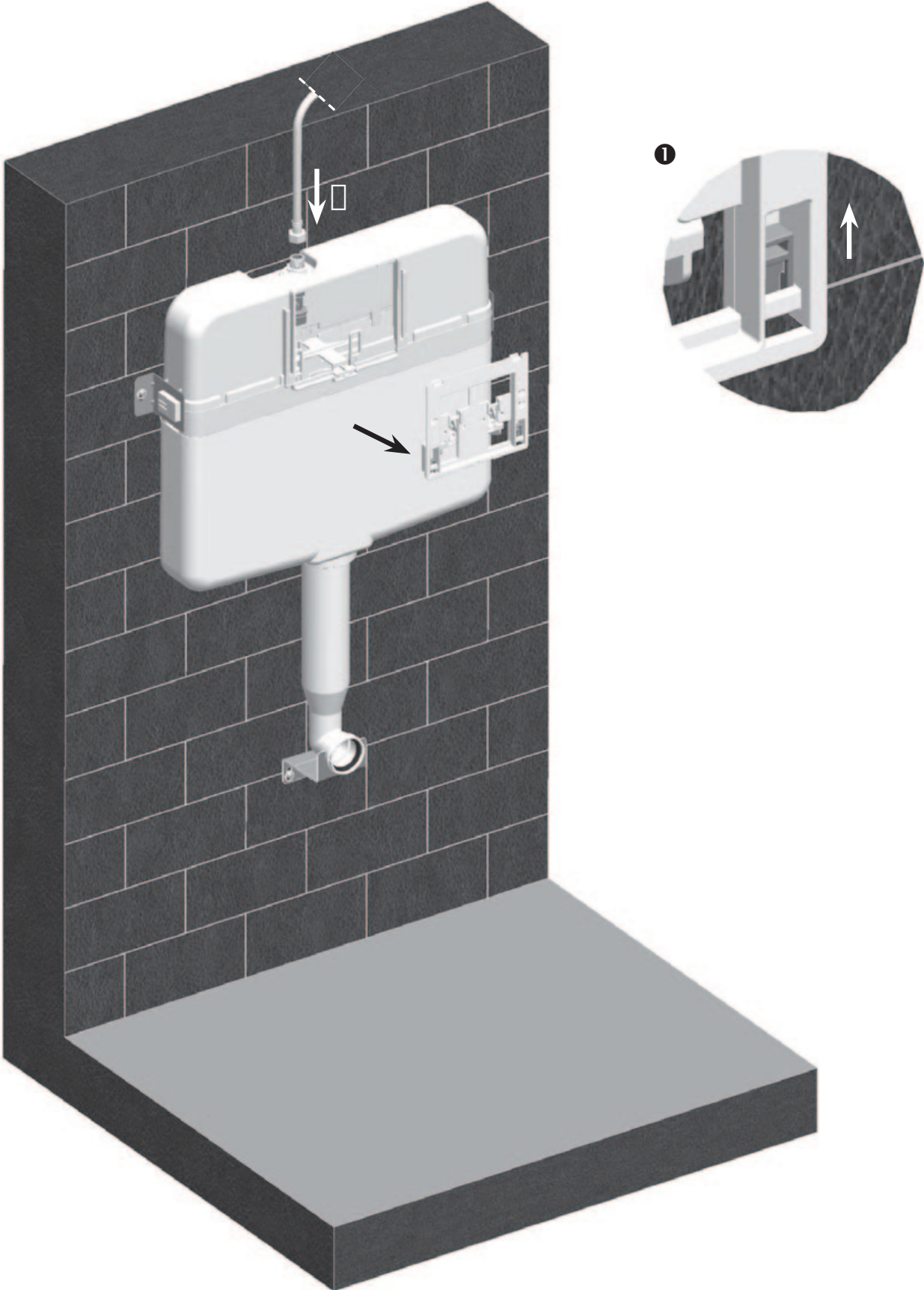


WALL FIXATION



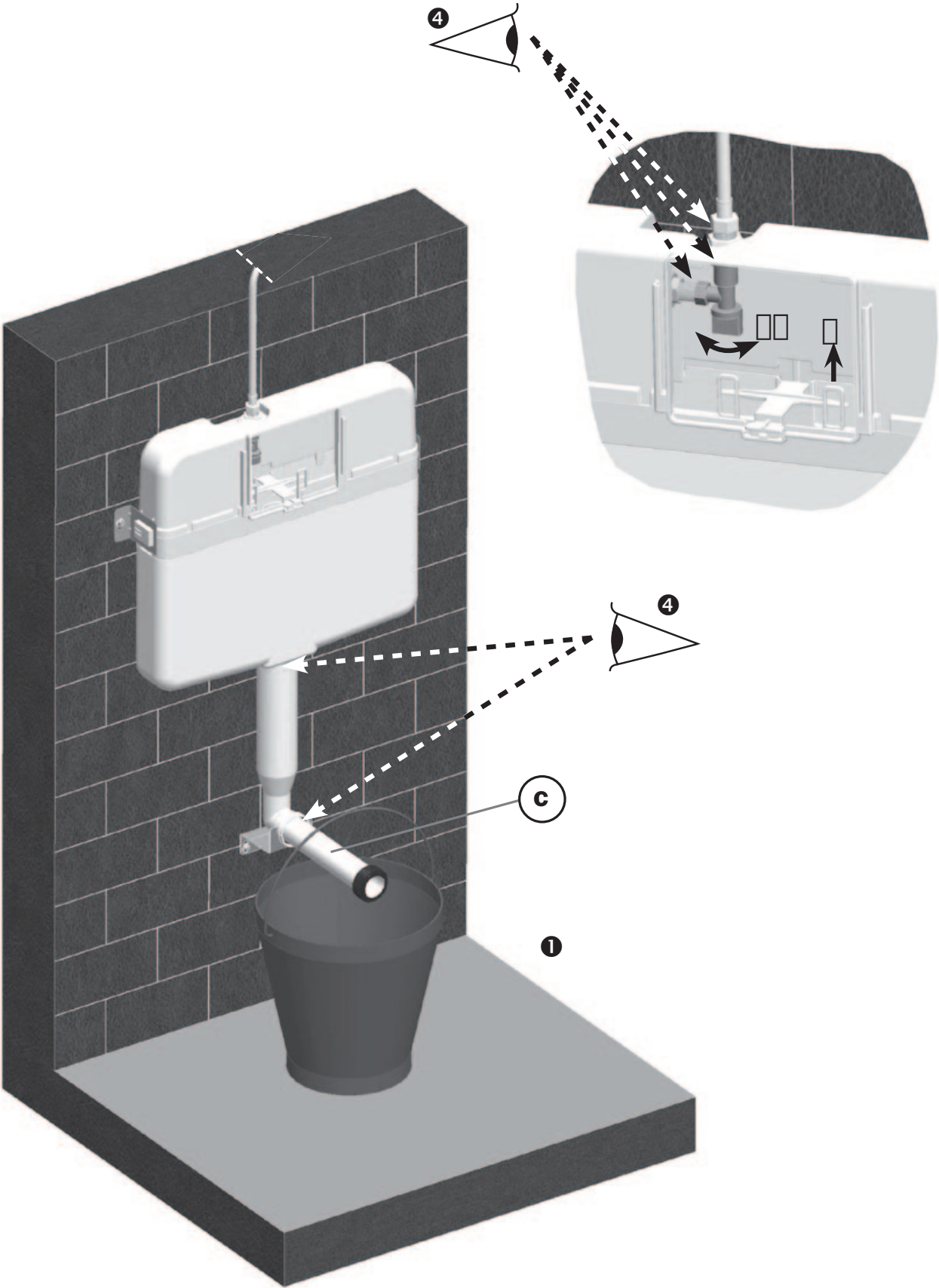
Important – Please Read

WATER CONNECTION

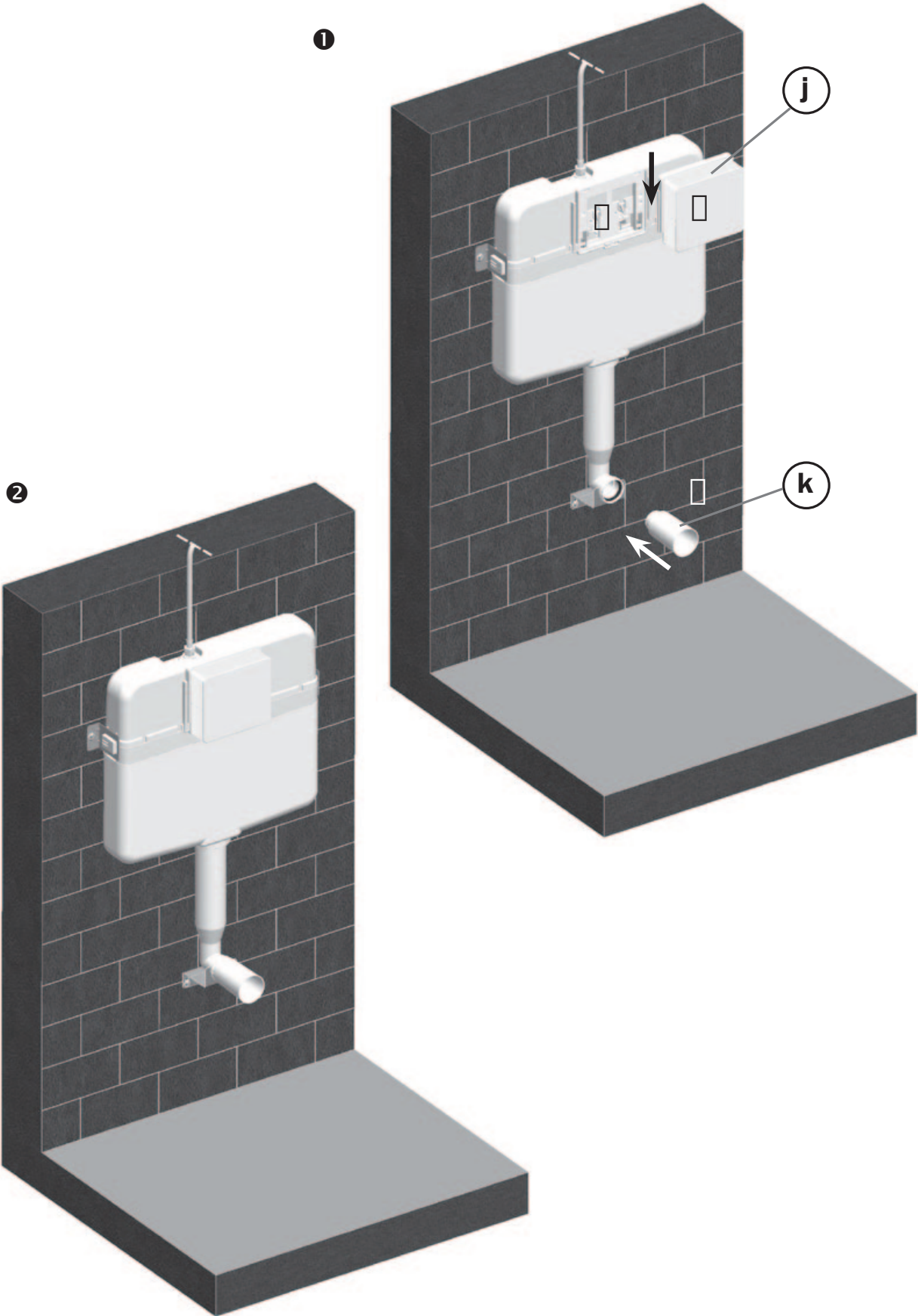


Important – Please Read

WATER CONNECTION

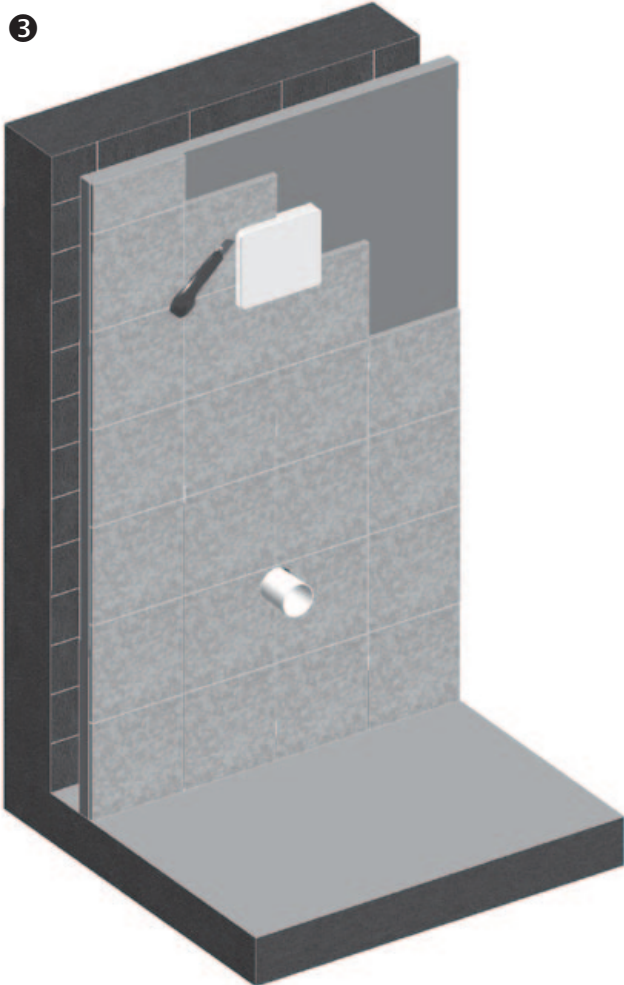


CLADDING

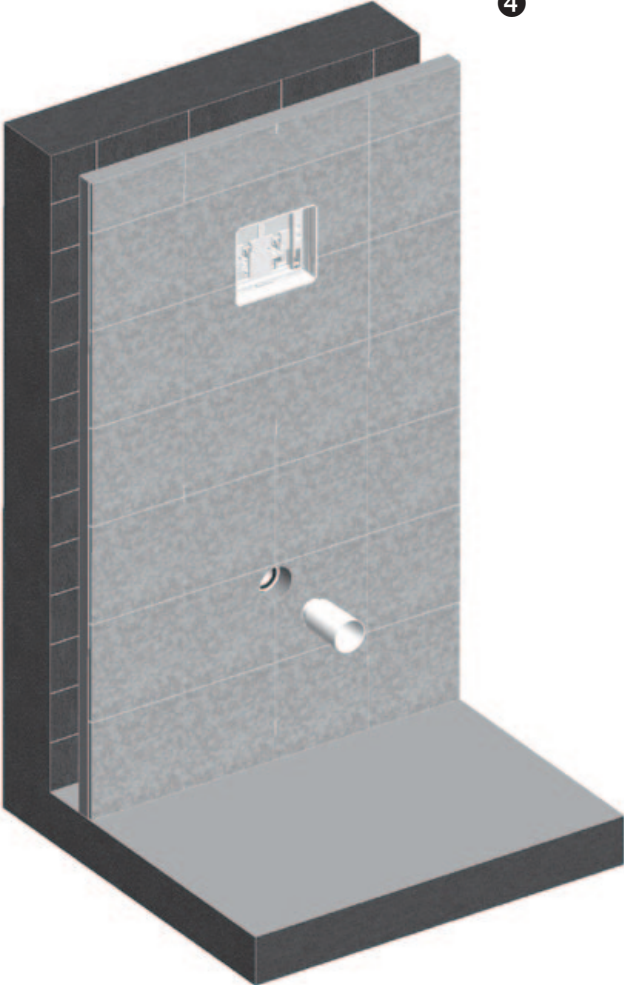


CLADDING

3

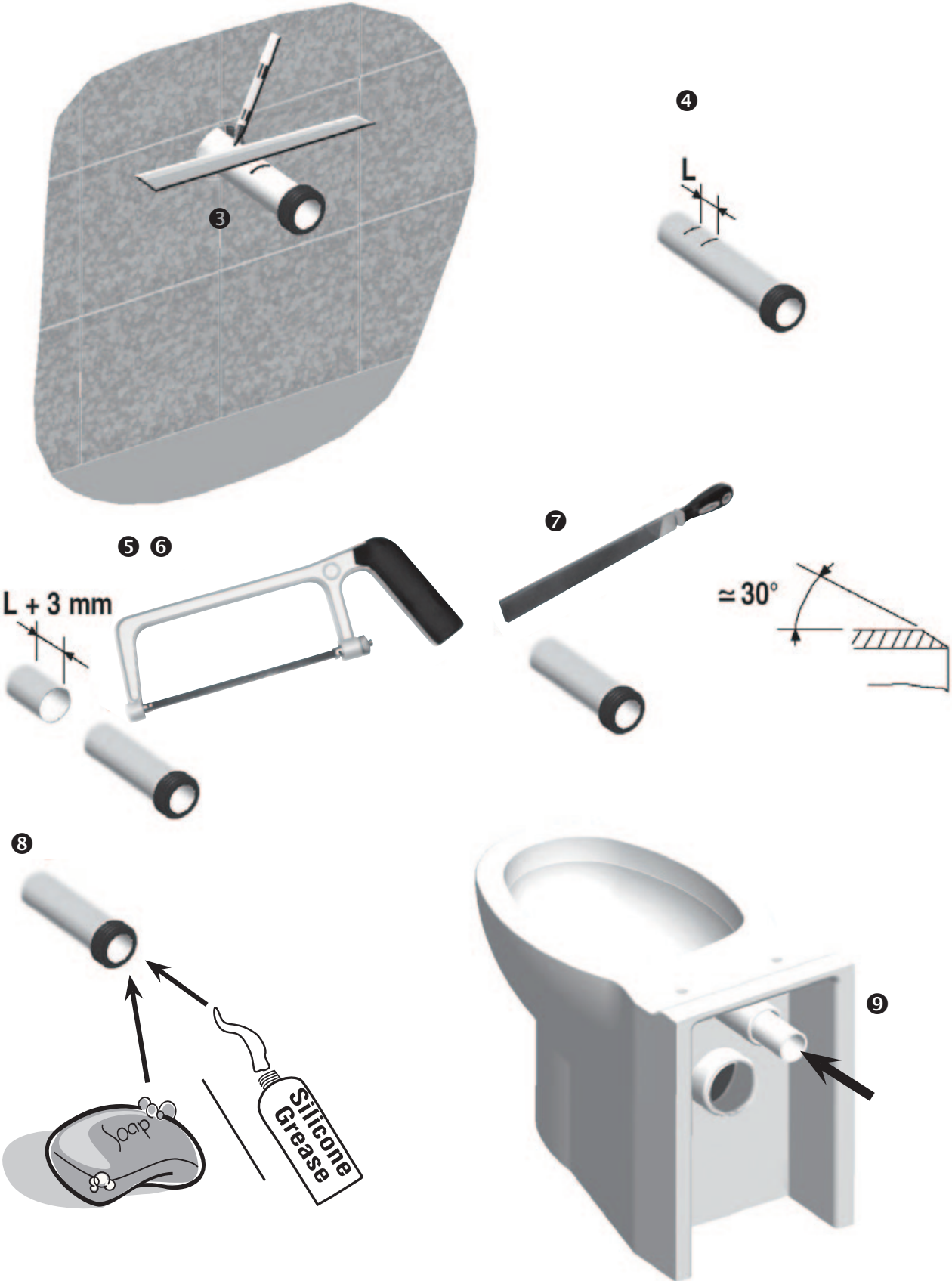


4

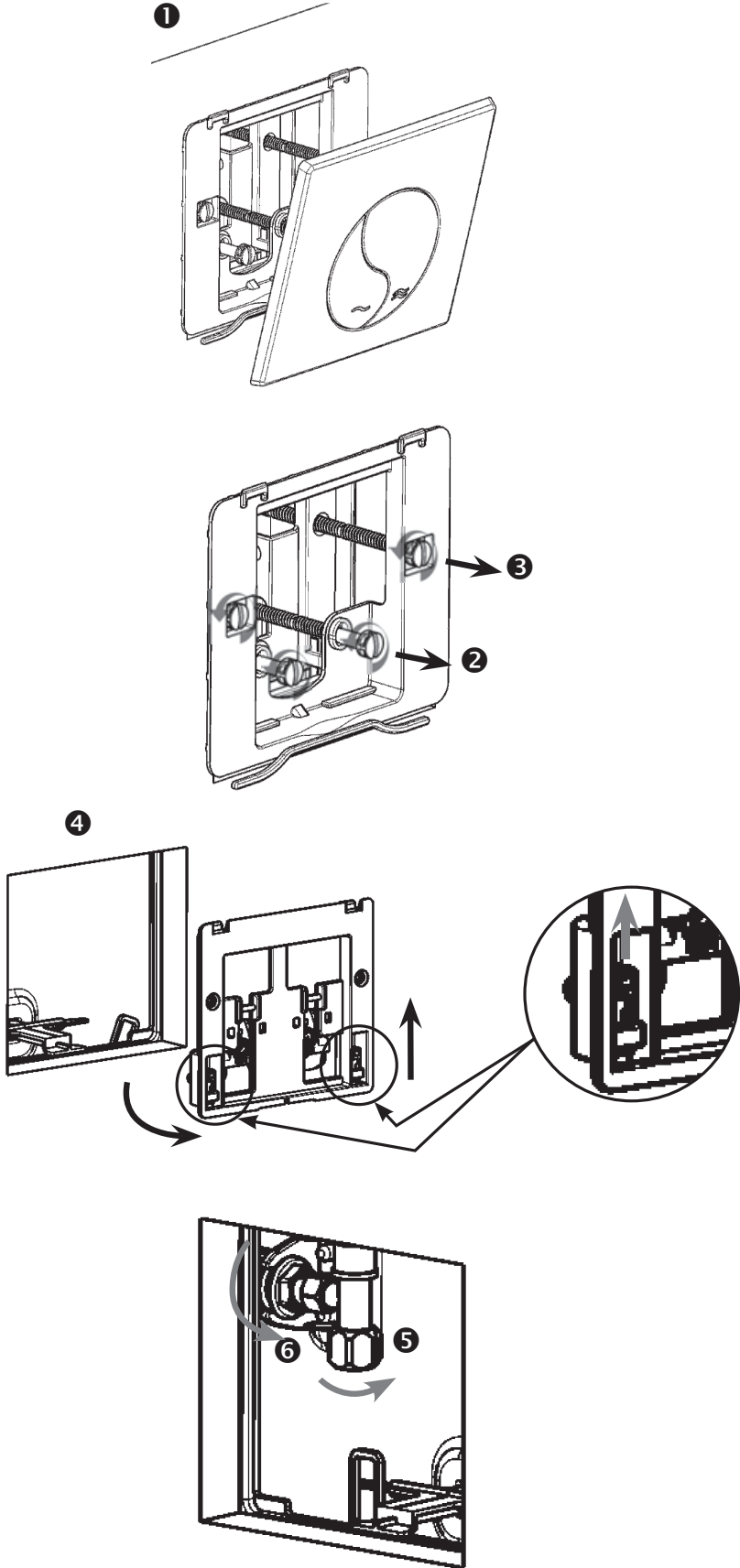


Important – Please Read

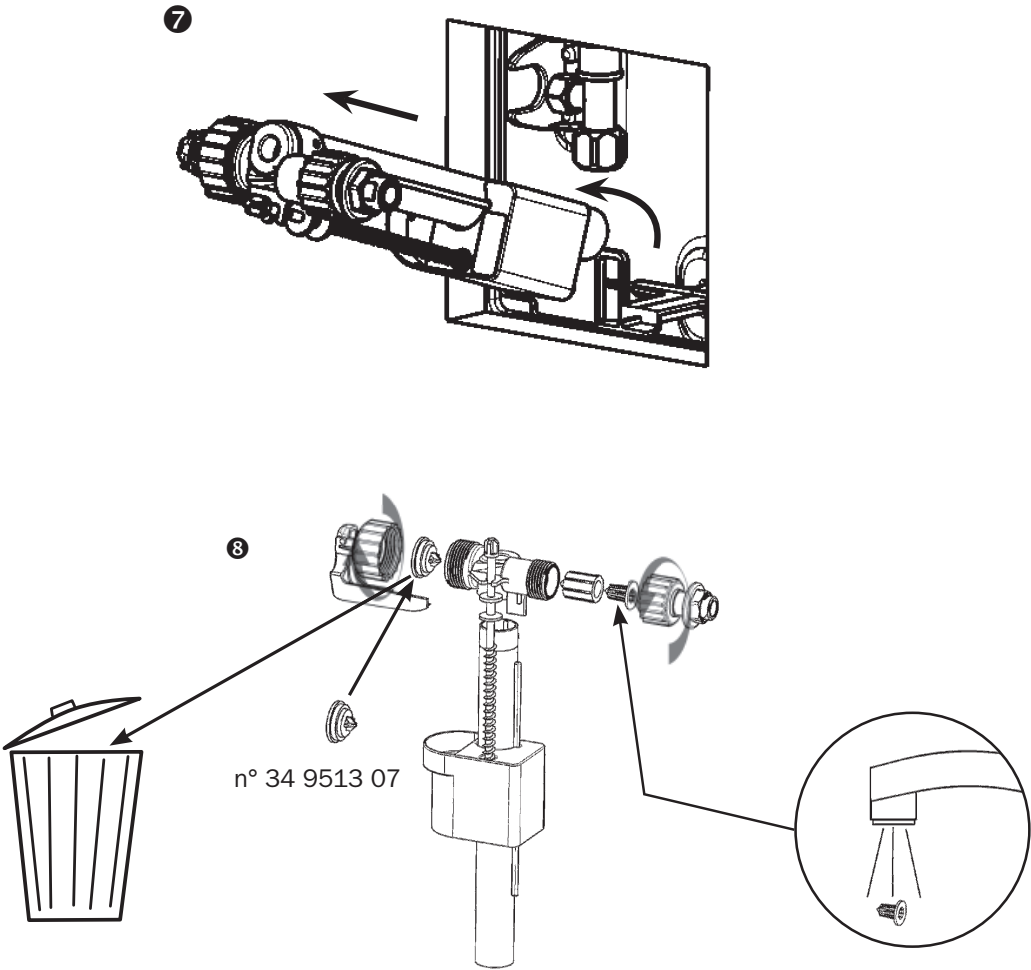
TOILET INSTALLATION



MAINTENANCE

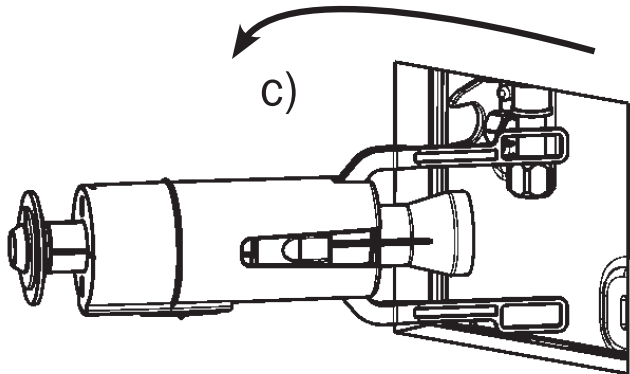
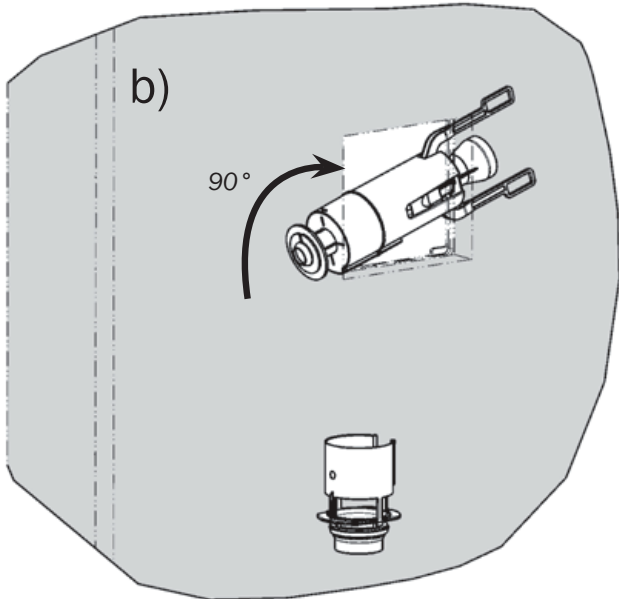
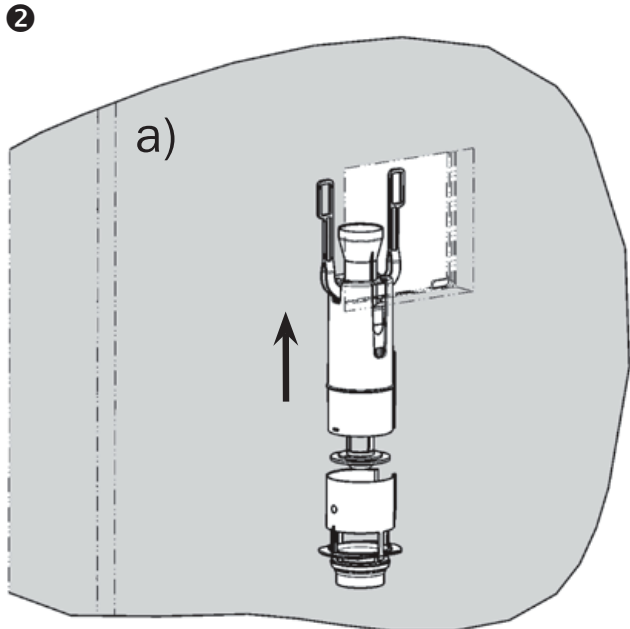
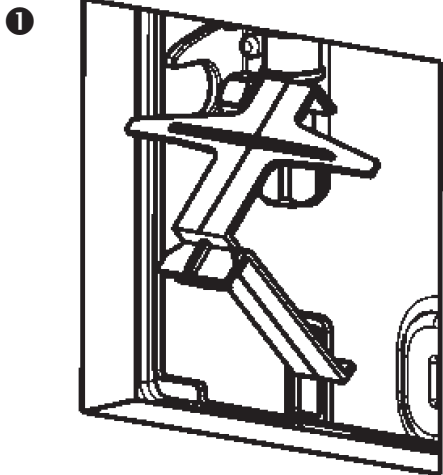


MAINTENANCE



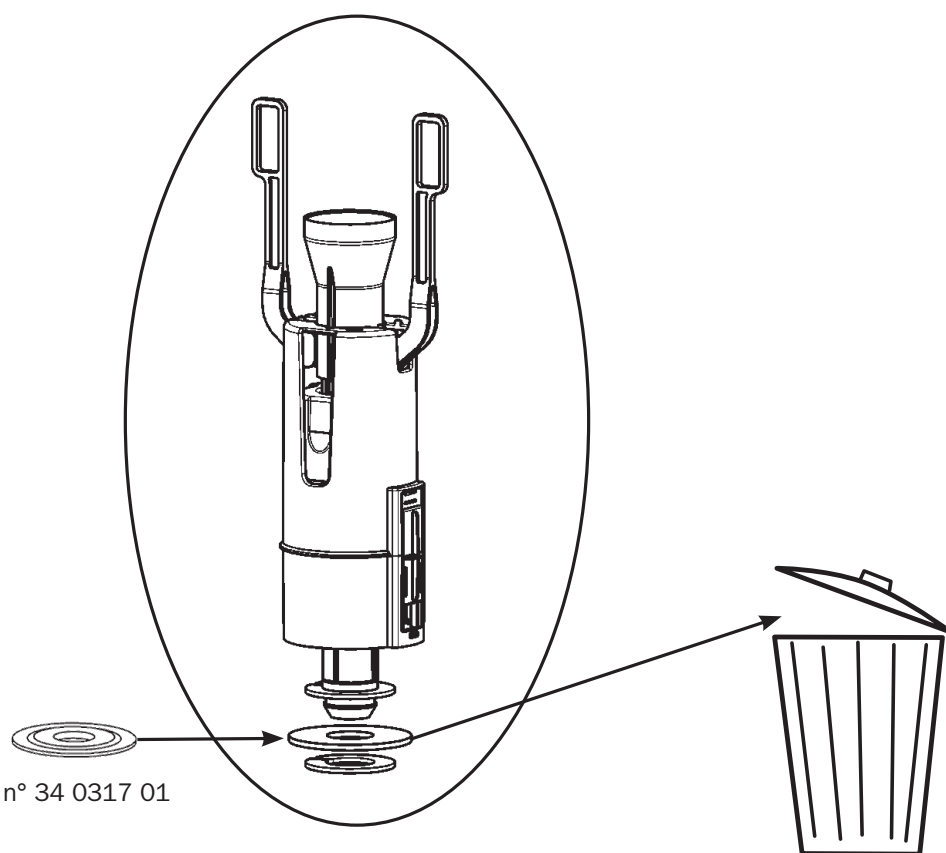
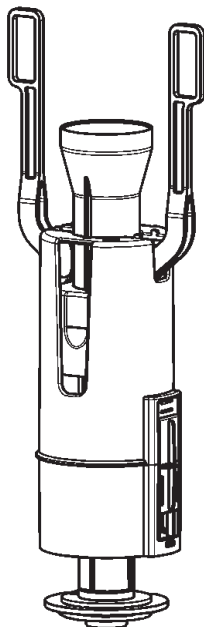
Important – Please Read

MAINTENANCE



MAINTENANCE

3



n° 34 0317 01