

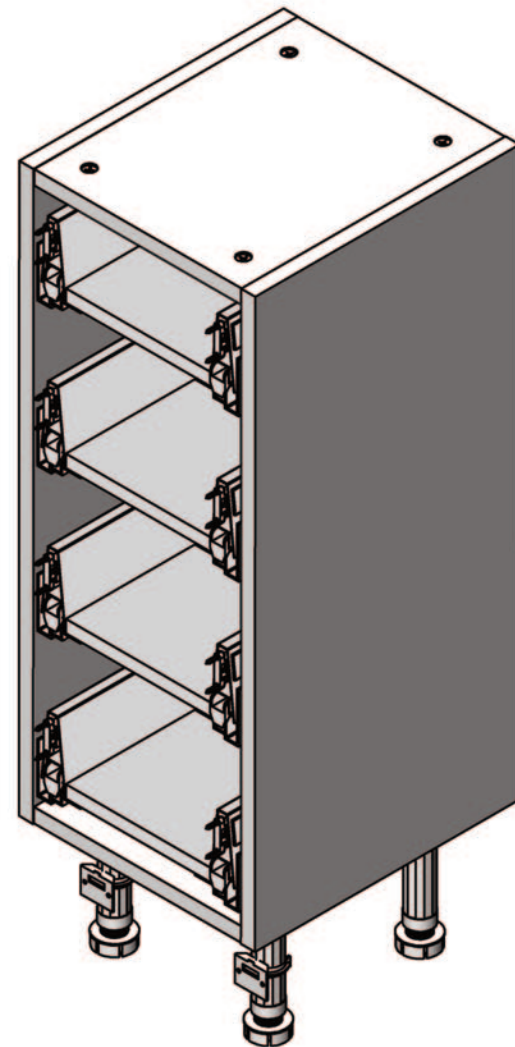
400 DRAWER UNIT

PLEASE READ. Carefully open the packs supplied and check the contents against the Fittings Checklist before discarding any packaging. To maintain the appearance of the units dust regularly with a soft cloth. For grime stains wipe with soft damp cloth using a mild detergent.

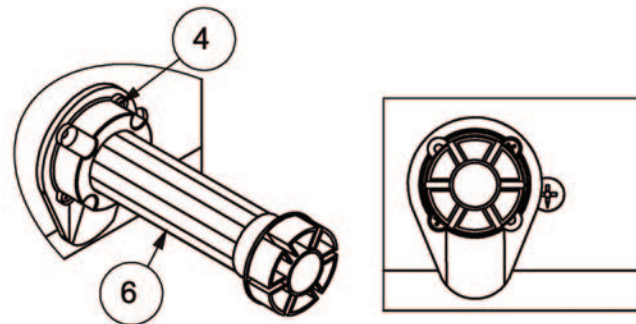
NOTE: Any additional components left after assembly may be required for installation-do not discard.

CAUTION: Some Fittings are small enough to choke a child.

1.		Wall Plate	1
Break apart			
2.		Door Buffers	4
3.		Connecting Bolt	2
4.		12mm C/Sunk Screw	12
5.		Plinth Clip	2
6.		Leg Socket	4
7.		Drawer Brackets	8
8.		17mm Round Head Screw	16

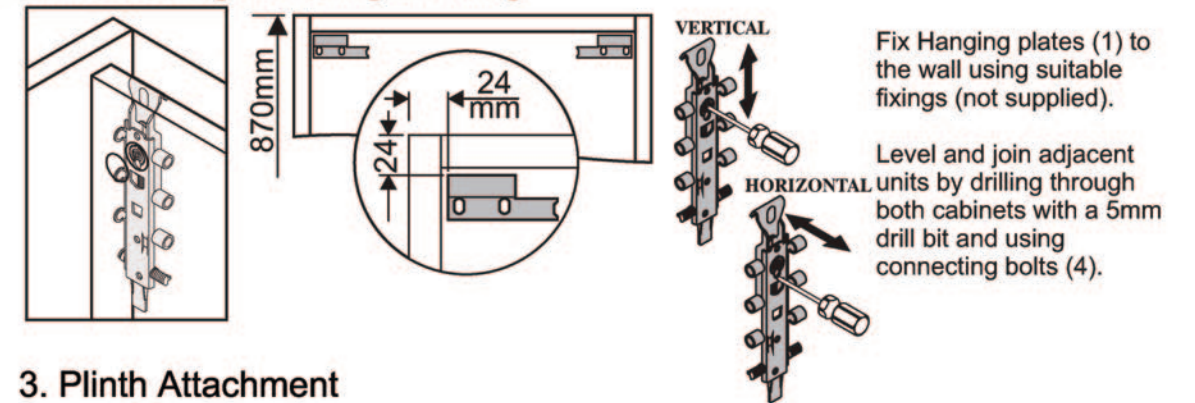


1. Attaching the Legs



Insert the Leg Sockets (6) into the pre-drilled holes on the underside of the Bottom Panel. Ensure that the tab overlaps the End Panel. Fix using two screws (4) per socket and adjust the leg to suit a 150mm plinth. Use brackets (5) and screws (4) to secure the plinth to the legs. (See Step 3)

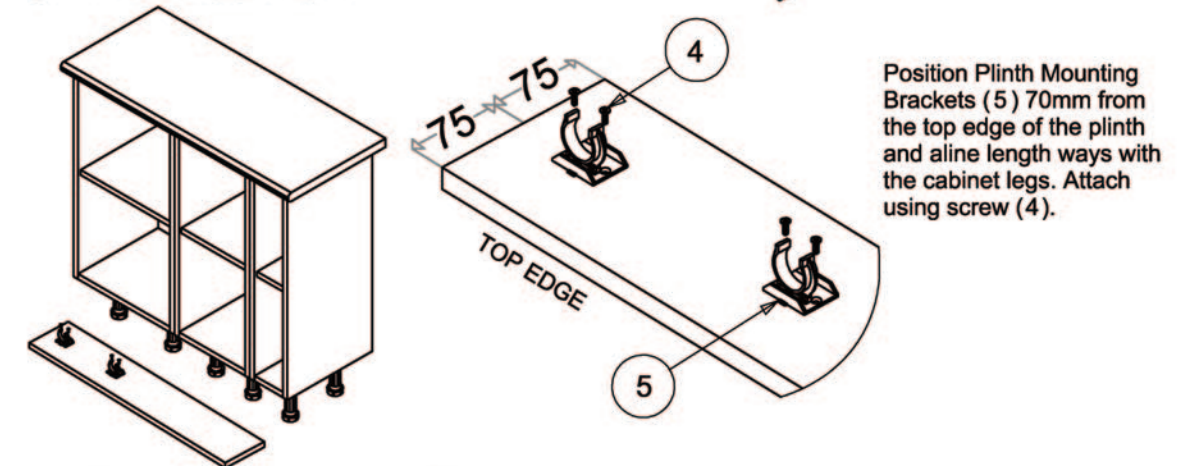
2. Positioning, Leveling & Fixing



Fix Hanging plates (1) to the wall using suitable fixings (not supplied).

Level and join adjacent units by drilling through both cabinets with a 5mm drill bit and using connecting bolts (4).

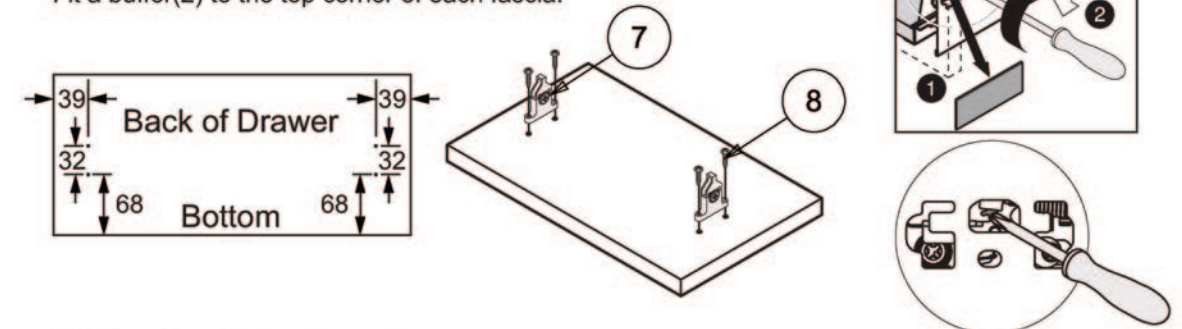
3. Plinth Attachment



Position Plinth Mounting Brackets (5) 70mm from the top edge of the plinth and align length ways with the cabinet legs. Attach using screw (4).

4. Fascia Attachment & Removal

Attach Fascia Brackets (7) to the fascia panels with screws (8). There are several positions pin marked on the fascias. Use the ones indicated for these drawers. Insert the brackets on the fascias into the drawer boxes. Fit a buffer(2) to the top corner of each fascia.



5. Fascia Adjustment

