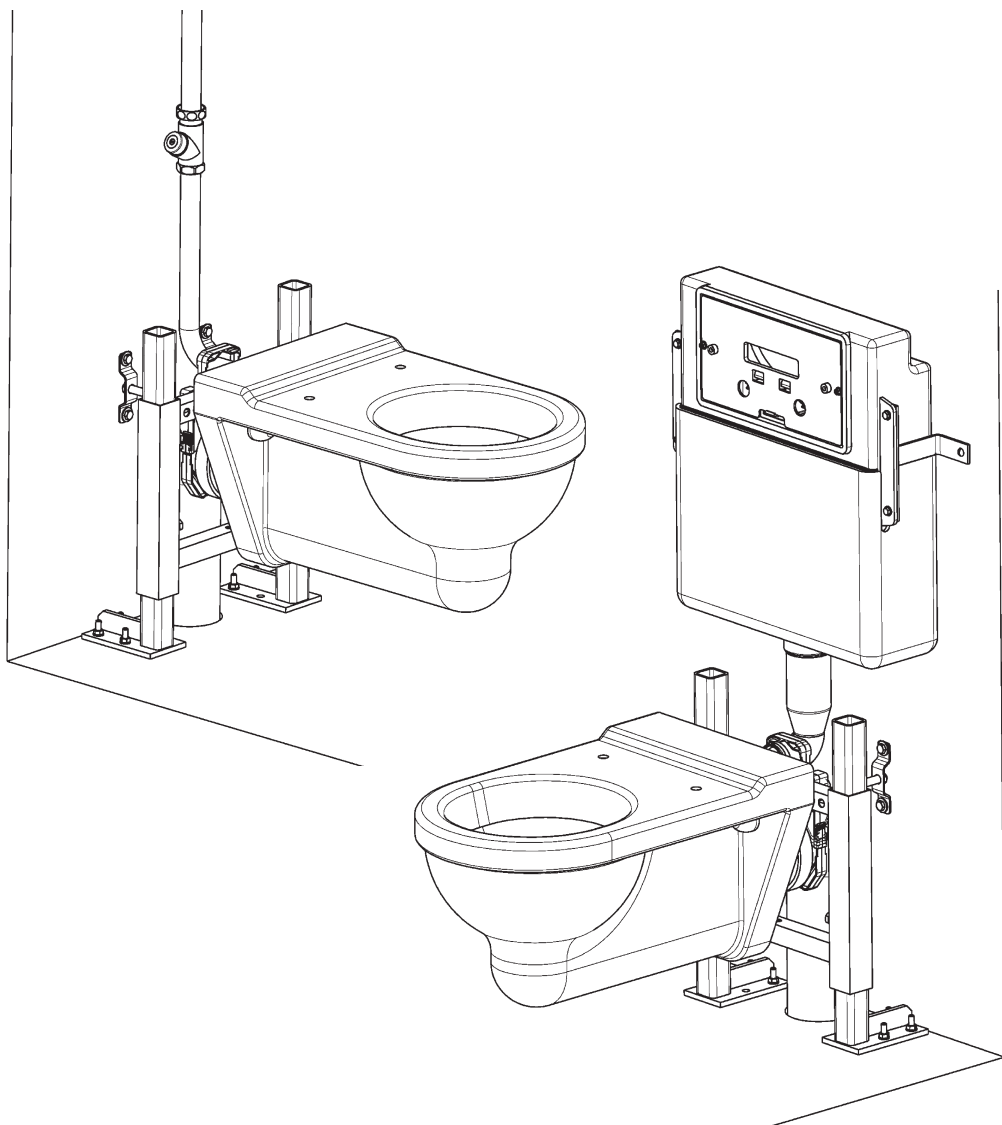


# SIAMP

---

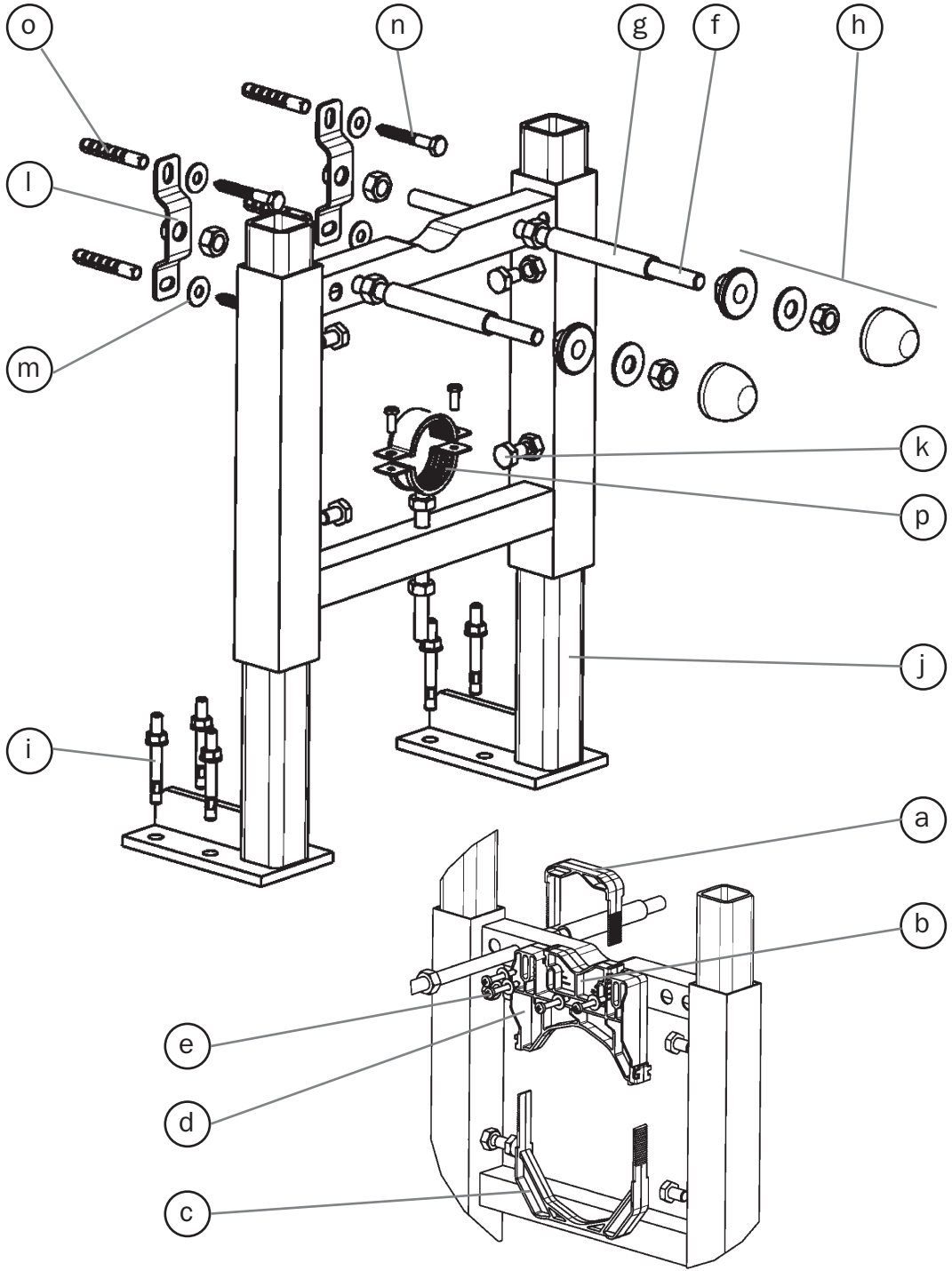


## BATICUVETTE/BIDET

SCU 350

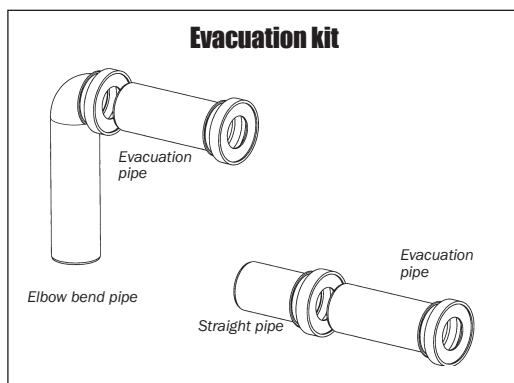
ASSEMBLY INSTRUCTIONS

# DESCRIPTION



- Ⓐ Elbow bend fixation clip
- Ⓑ Elbow bend fixation
- Ⓒ Pipe fixation clip
- Ⓓ Pipe fixation
- Ⓔ Fixation screw and washer ( x4)
- Ⓕ Bowl fixing strip (x2), length 400mm
- Ⓖ Flexible sleeve (x 2)
- Ⓗ Bowl fixing kit
- Ⓘ Metal pegs (x6)
- ⓵ Adjustable legs (x2)
- Ⓚ Punch screw
- Ⓛ Wall brackets (x2)
- Ⓜ Washer (x4)
- Ⓝ Wall screw (x4)
- Ⓞ Wall plugs (x4)
- Ⓟ Collar bidet (x1)

## ACCESSORIES (not supplied)



Evacuation kit elbow bend

Ref. 92 4000-07

Evacuation kit straight

Ref. 92 4010-07

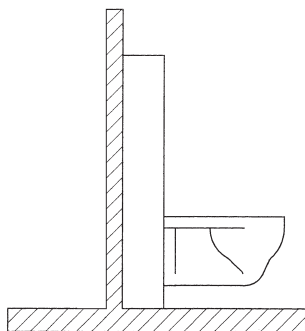
### Tools required:

- Set of keys from 8 to 19mm
- Metal saw
- Drill with a bit diameter 8mm
- Leveller
- Pencil & ruler
- Measuring tape
- Hammer
- Screwdriver

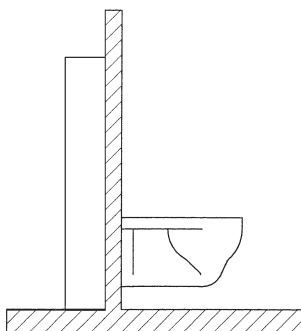
### Advice:

- Keep this notice for any future maintenance
- ⚠ Read the instructions supplied with the bowl, the cover, the tank and the pressurised water supply system before starting installation work.

## TYPES OF INSTALLATION

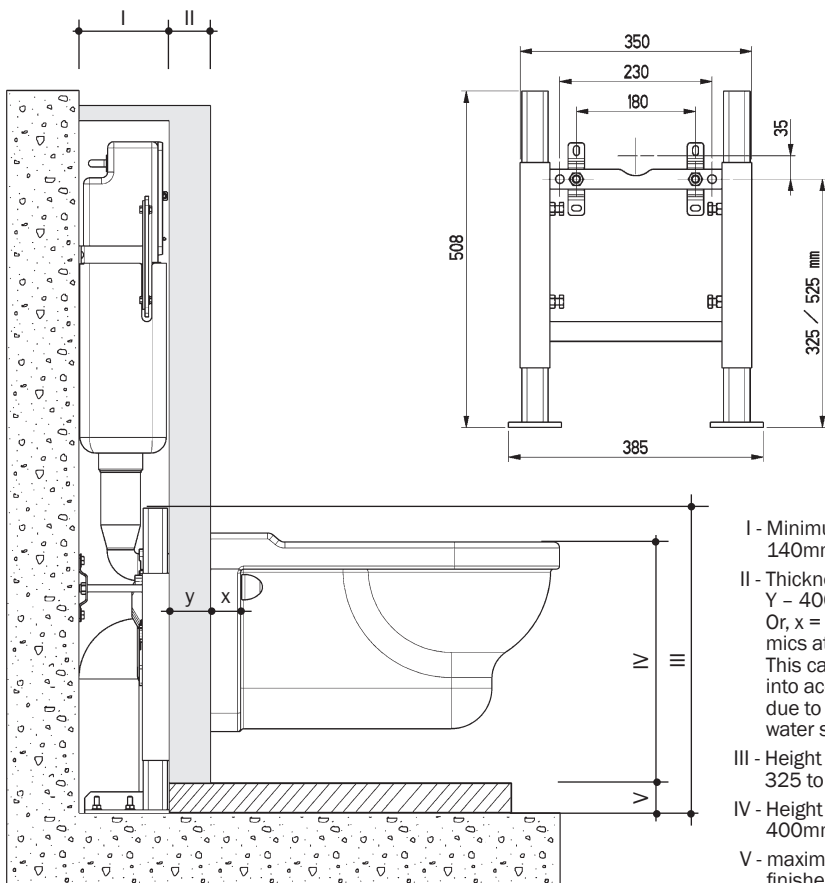


❶ Fixed to a thin partition wall



❷ Built in to the rising column

## USEFUL MEASUREMENTS



I - Minimum depth of the frame = 140mm

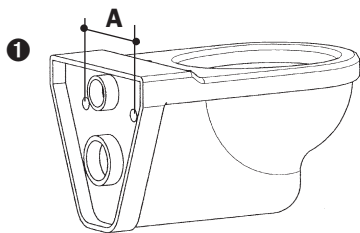
II - Thickness of the cladding  
 $Y - 400 - 80 - x$  mm  
 Or,  $x$  = thickness of the ceramics at the bowl fixation level  
 This calculation does not take into account any constraints due to the tank or pressurised water supply.

III - Height : adjustable from 325 to 525mm

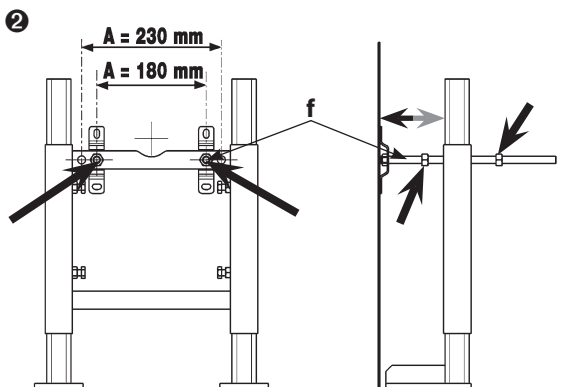
IV - Height of the bowl : 400mm (finished floor)

V - maximum thickness of the finished floor = 185mm

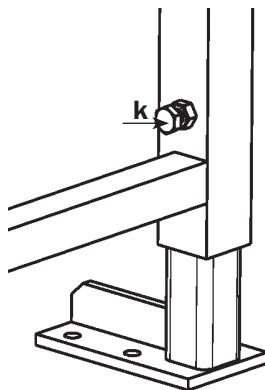
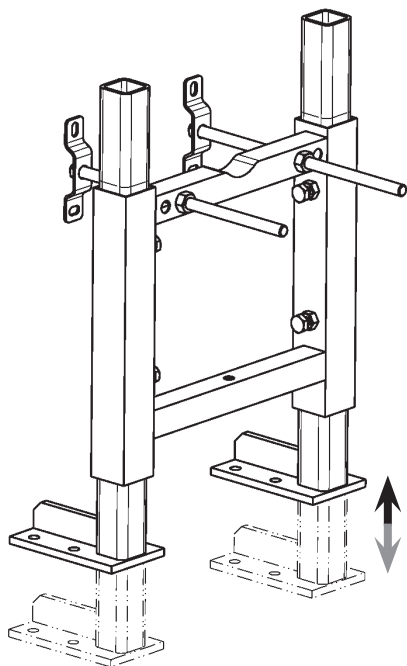
## I - ASSEMBLING THE BOWL FIXATION RODS



- 1 Measure the between-axis of the bowl (A)
- 2 Place the rods (f) in the holes in the frame corresponding to the between-axis and fix them in place with 2 nuts.



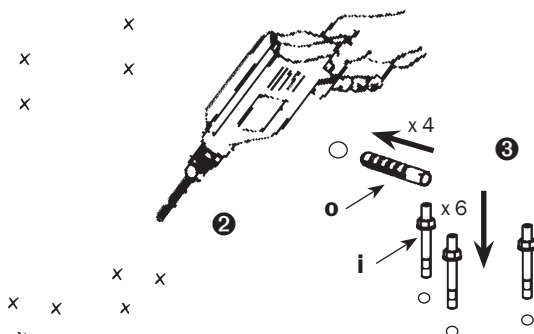
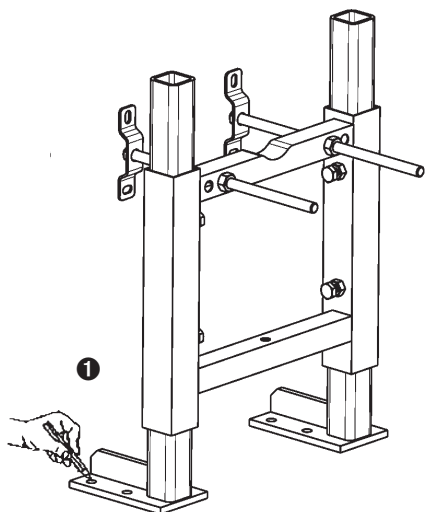
## II - ADJUSTING THE FRAME HEIGHT



- 1 Place the frame in its final position
- 2 Unscrew the 4 nuts (k)
- 3 Adjust the leg heights so that the top of the bowl is at about 400 mm from the finished floor
- 4 Check that the frame is horizontally level, and screw the nuts back in.

⚠ If the frame is fixed onto a bare floor, the maximum thickness of the finished floor should not exceed 185 cm.

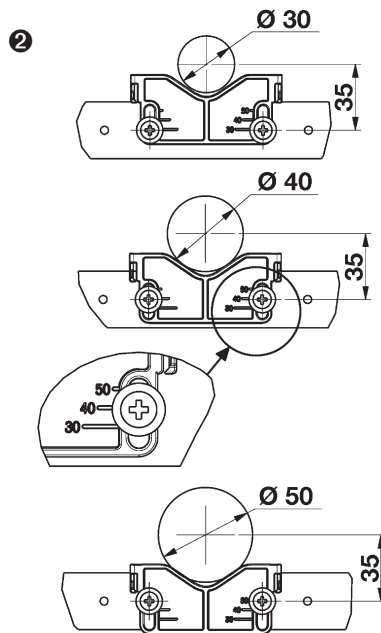
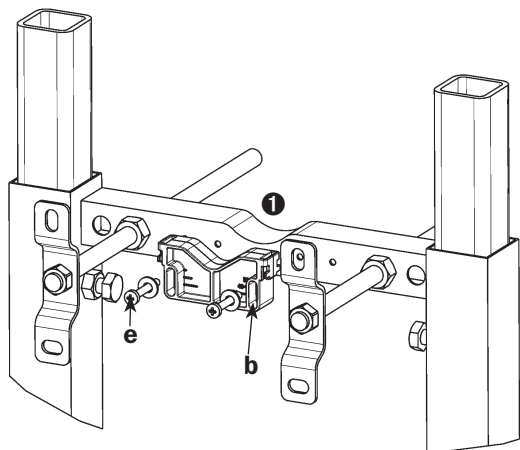
### III - PREPARING THE FIXATION



- 1 Mark the drilling points
- 2 Remove the frame and drill to a depth of 55 mm at maximum, using an 8 mm diameter drill bit for ground metal plugs. For wall plugs use a 10 mm diameter drill bit, and drill to a depth of 70 mm
- 3 Move the frame back in place, position the metal pegs (i) in the holes without any effort

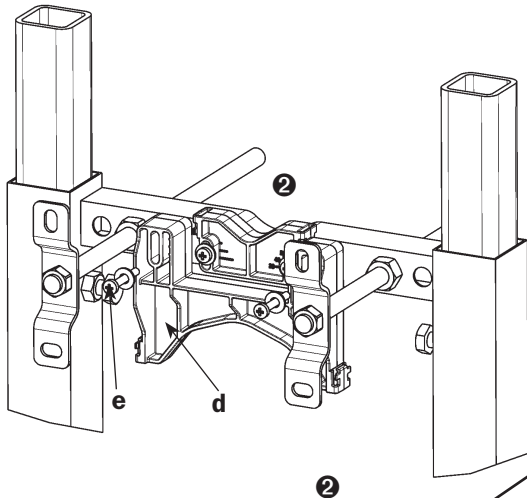
**BOWL installation beginning page 6**  
**BIDET installation beginning page 12**

### IV - PREPARING THE BOWL WATER SUPPLY

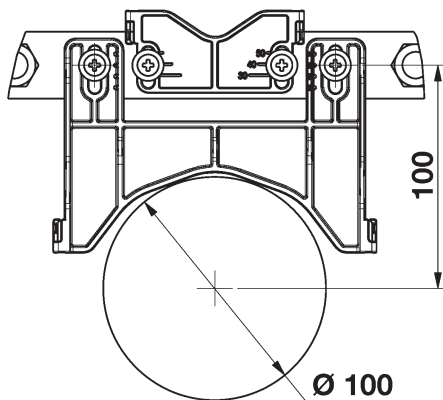
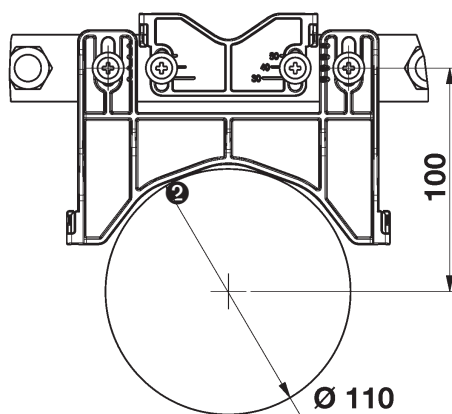
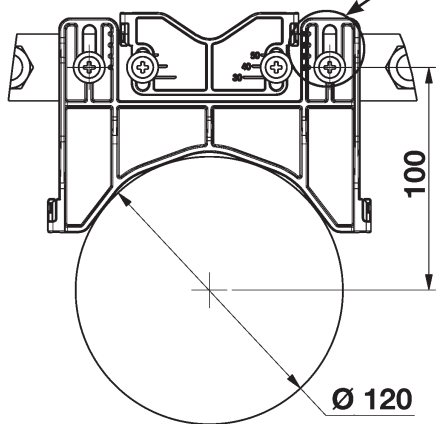
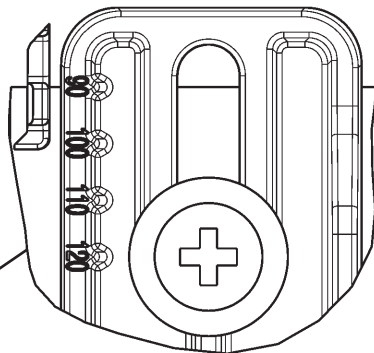


- 1 Measure the diameter of the feeder pipe at the place where it will be attached to the fixation clip.
- 2 Put the fixation clip into place (b) using 2 screws and washers (e) and adjust the height according to the measured diameter. Marks are engraved on the clip to guide you.

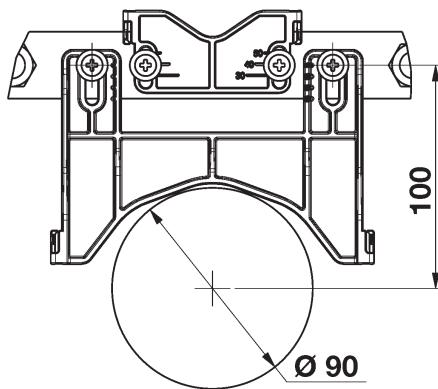
# V - PREPARING THE BOWL EVACUATION CONNECTION



- 1 Measure the diameter of the evacuation pipe at the place where it will be attached to the fixation clip.
- 2 Attach the fixation clip using 2 screws and washers (e) and adjust the height according to the measured diameter. Marks are engraved on the clip to guide you.

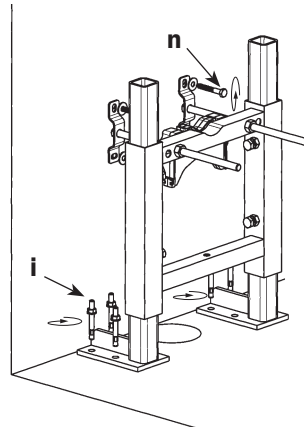


2

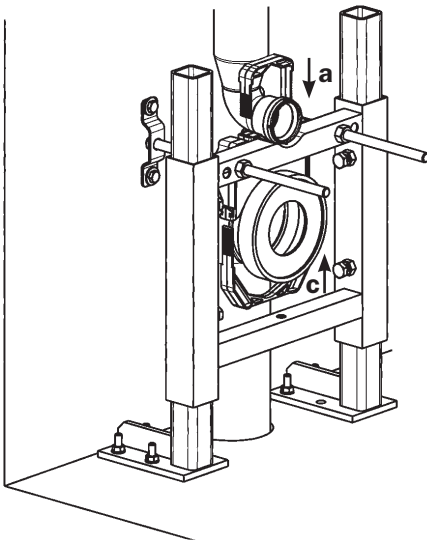


## VI - PUTTING THE FRAME INTO PLACE

- 1 Put the frame into its final place and attach it with the metal pegs, they must be inserted into the holes without any effort.

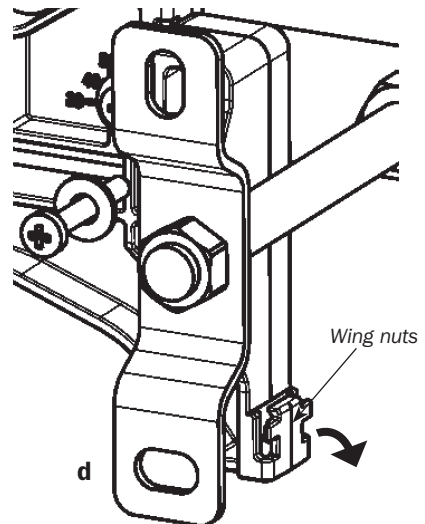
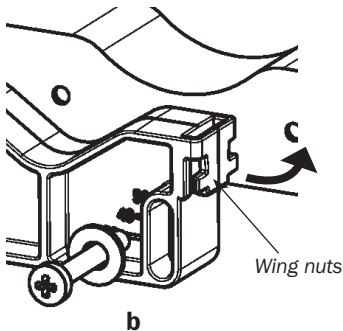


## VII - CONNECTING THE WATER SUPPLY AND BOWL EVACUATION



- 1 Put the evacuation pipe into place
- 2 Attach the pipe using the fixation clip (c)
- 3 Put the elbow bend supply pipe into place
- 4 Attach the elbo bend pipe using the fixation clip (a)

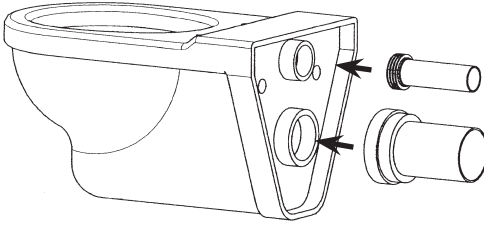
⚠ If you need to unclip, wing nuts are attached to the fixing clips to do this.





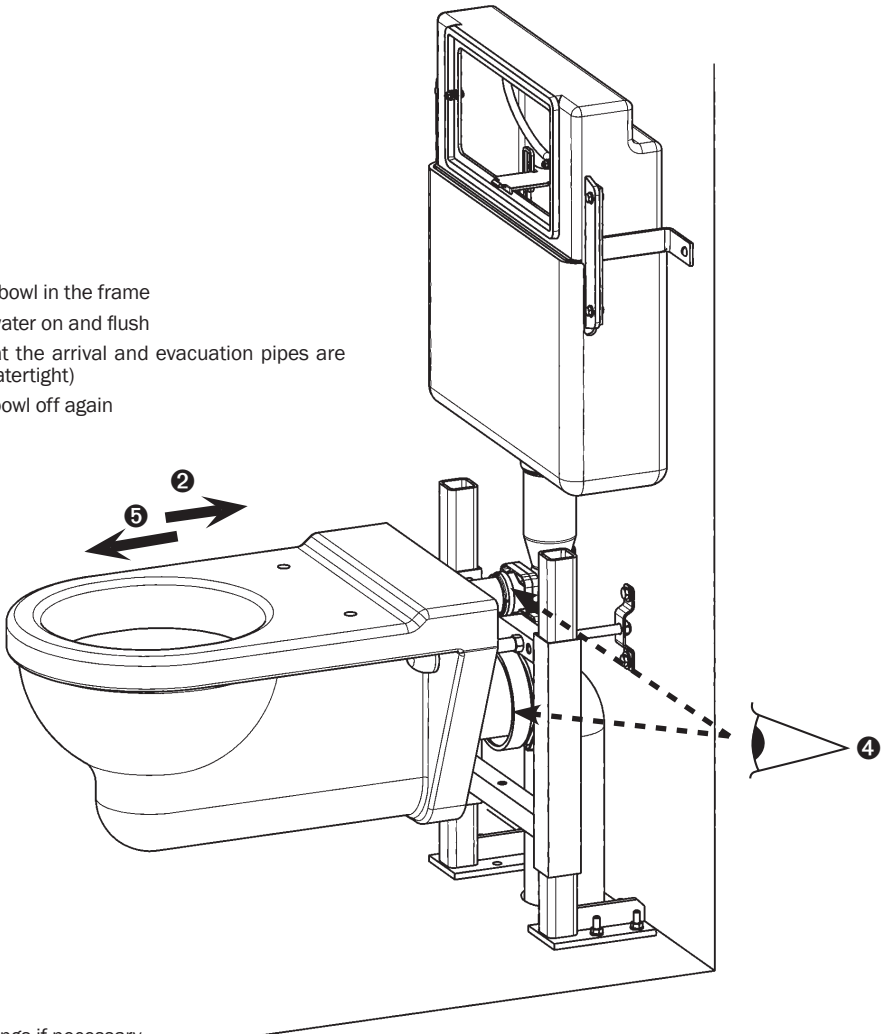
## VIII - WATER TRIALS

1



- 1 Insert the water supply pipe and the evacuation pipe into the holes on the bowl.

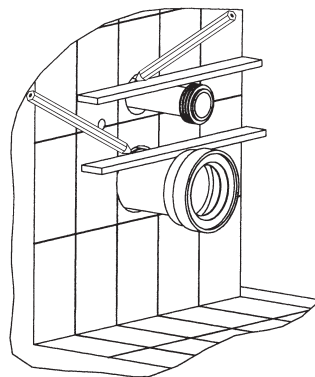
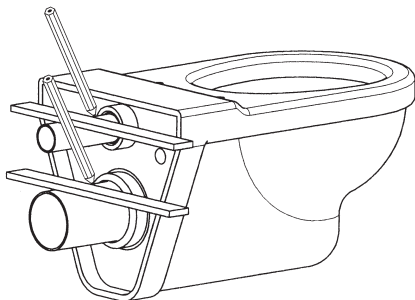
- 2 Place the bowl in the frame
- 3 Turn the water on and flush
- 4 Check that the arrival and evacuation pipes are sealed (watertight)
- 5 Take the bowl off again



Do the finishings if necessary

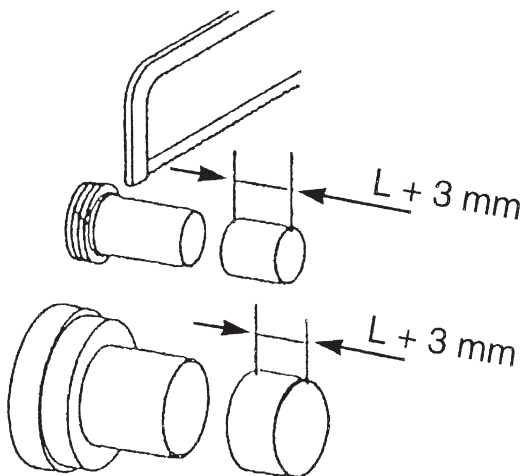
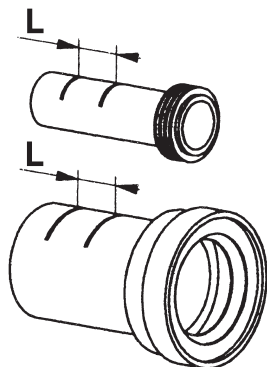
# X - CONNECTING THE BOWL

△ Read the instructions for the bowl and lid before starting.



1 Using a ruler placed as in the drawing below, make a mark on the bowl side of the 2 supply pipes.

2 Take the pipes off the bowl and insert them into the frame. Using a ruler placed as in the drawing below, make a mark on the wall side of the 2 pipes.



3 For each of the pipes, measure the distance (L) between the 2 marks

4 Carry over this measurement (L) and increase it by 3mm at the end (on the frame side) of each pipe. For example, if  $L = 50\text{mm}$ , shorten the pipe by 53mm

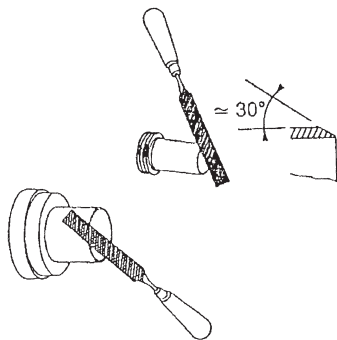
5 Cut the pipes with a metal saw

6 Smoothen the cuts with a file

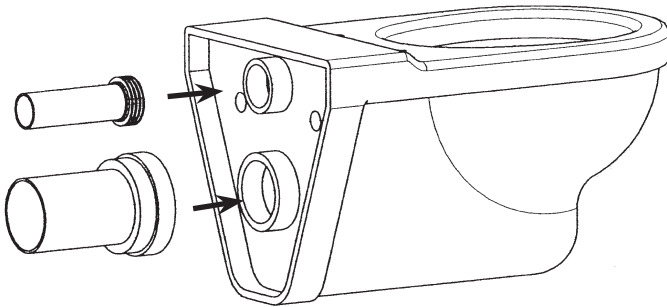
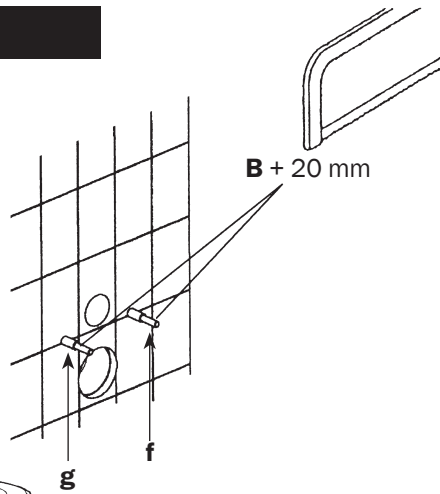
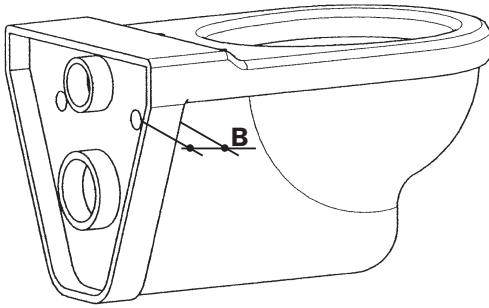
7 Measure the thickness of the back of the bowl (B)

8 If necessary, cut the fixation rods (I) so that the part which sticks out from the wall is equal to  $(B) + 20\text{mm}$ .

9 Shorten the flexible sleeves so that the part which sticks out from the wall is equal to  $(B) - 15\text{mm}$



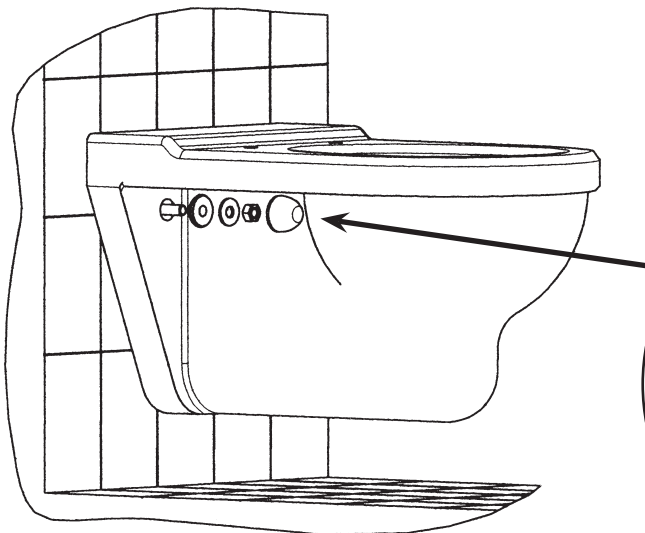
## X - CONNECTING THE BOWL (continued)



⑩ Insert the water supply and evacuation pipes into the bowl. Then place the bowl on the two fixation rods.

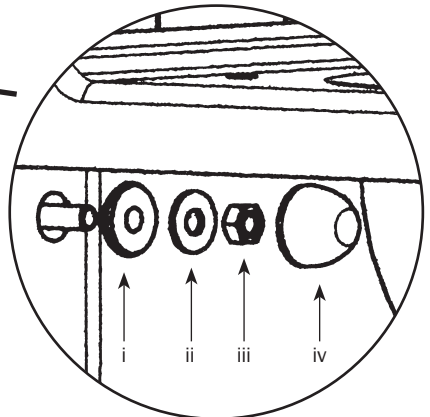
⚠ To make insertion of the supply and evacuation pipes easier, use soapy water.

## XI - ATTACHING THE BOWL

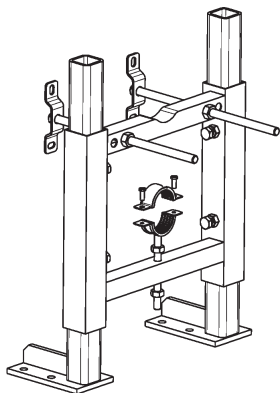


① When the bowl has been correctly positioned, attach it using the kit h), taking care to put the parts on in the correct order

- i = centering washer
- ii = metal washer
- iii = nut
- iv = cover

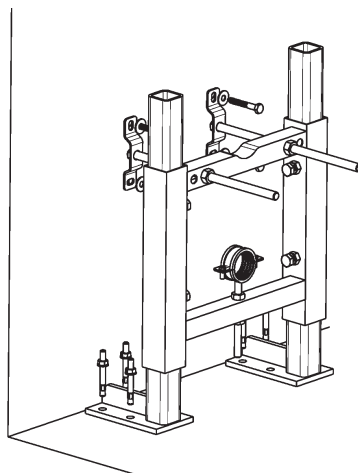


## IV - BIDET CONNECTION



- 1 Mount bidet collar onto frame.  
Install bidet water supply and drain.

## V - PUTTING THE FRAME INTO PLACE



- 1 Put the frame into its final place and attach it with the metal pegs, they must be inserted into the holes without any effort.

## VI - WATER TRIAL

Install bidet directly onto frame but without cladding. Make a water test checking no water leakage is occurring. Uninstall bidet from the frame.

## VII - FINAL INSTALLATION

Create cladding. Install Bidet.

You have just installed a “baticuvette” toilet from SIAMP’s range and we would like to thank you for putting your trust in us.

We are specialists in bathroom technical equipment and accessories and have taken the utmost care in the design and manufacturing of this product, which we guarantee for 10 years, excluding rubber parts and man hours.

For any more information or requests, please contact your sales outlet.

Or contact us directly at:

# SIAMP

Siamp Ltd, Unit C2, Meadowbank Business Park, Tweedale Way  
Hollinwood, Oldham, Greater Manchester, OL9 8EH

T : 0161 681 2120 F : 0161 681 2130 E : info@siamp.co.uk

Technical support : aftersales@siamp.co.uk W : www.siamp.co.uk