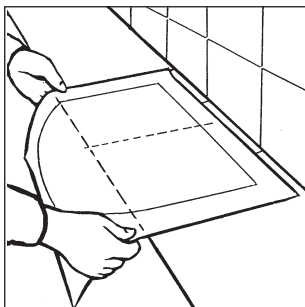
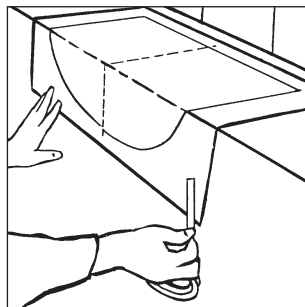


VitroA Installation of semirecessed basin

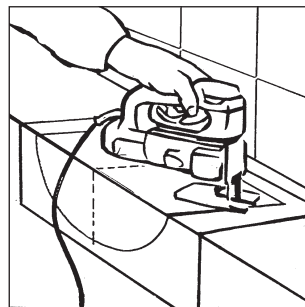
CI/SfB		
	(74)	
2007		



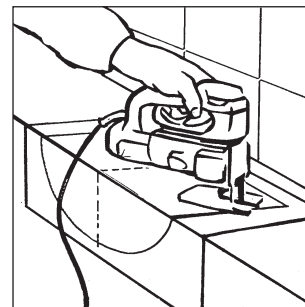
1 Center the template on the worktop.



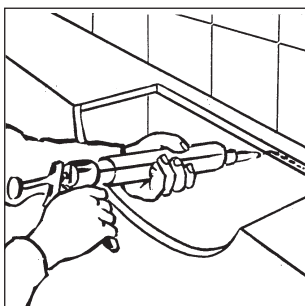
2 Center the template on the worktop.



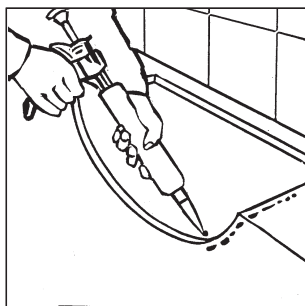
3 Drill hole on the inside of the outer template line.



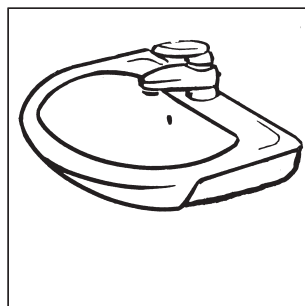
4 Using the preferred cutting tool, cut along the indicated line on the template whilst being careful not to cut on the outside of the indicated line.



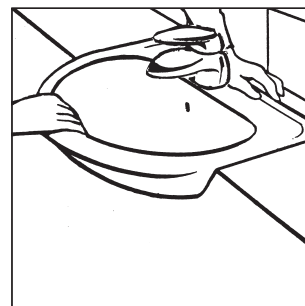
5 Apply water proof sealant to the inside of the cut out.



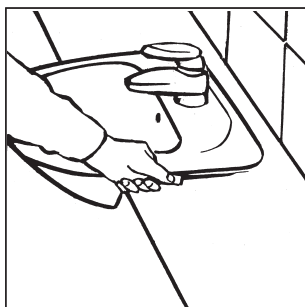
6 Seal around the outside of the cut out where the basin is to be installed.



7 Fix desired tap onto the basin.



8 Place basin in position and apply hand pressure.



9 Remove excess sealant from around the basin whilst making sure the basin is properly installed.