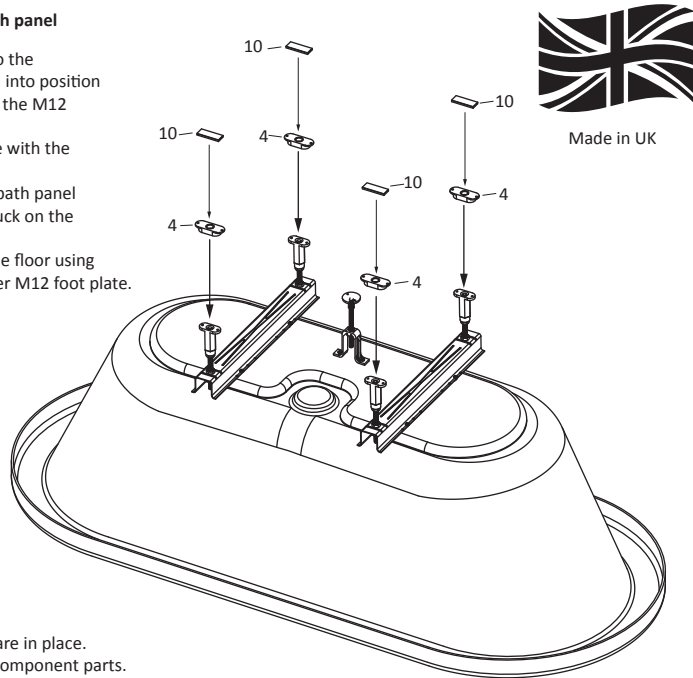


Fixing of the bath to the skirted bath panel

- Secure the M12 foot plates (4) onto the M12 feet by carefully clipping them into position
- Attach the adhesive pads (10) onto the M12 foot plates.
- Position the bath so that it is in-line with the skirted bath panel.
- Remove the bath from the skirted bath panel leaving the 4, M12 foot plate (4) stuck on the floor.
- Secure the M12 foot plates(4) to the floor using 2 x 16mm self tapping screws (3) per M12 foot plate.

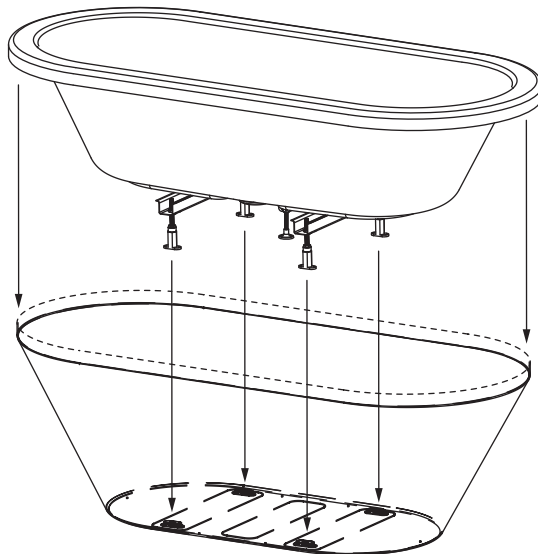


Plumbing

- Ensure all plumbing combinations are in place.
- Attach all pipe work using flexible component parts.
- Place the bath back into position.

Final Fix

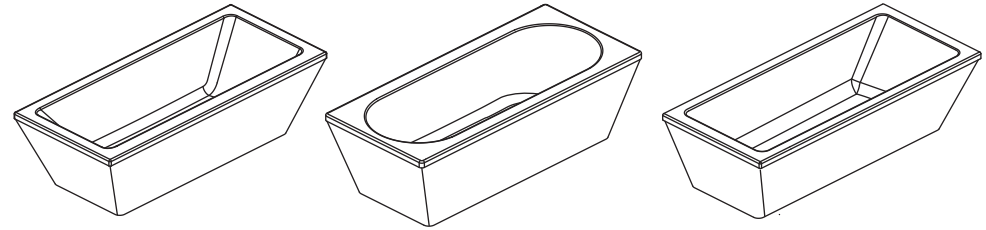
- Secure the bath and skirted bath panel together ensuring that the M12 feet are connected to all 4 foot plates, previously secured to the floor.
- Fill the bath with water.
- Carefully silicone the bath rim to the panel.
- Silicone the bath panel to the floor.
- Leave the bath full of water for 24 hours or until the silicone has cured.



Please Note: illustrations and specifications are not binding in detail.
The bath model supplied may vary.

Quality Acrylic Baths

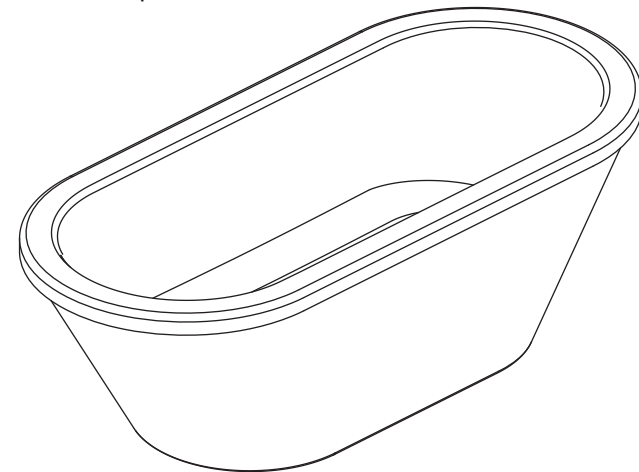
Manufactured in the UK



Skirted Bath Installation Instructions

- Read through the instruction booklet first before commencing any work.
If you are unsure of any aspect of the installation, we recommend you contact a reputable tradesperson.
- Prior to fitting your bath, carefully remove all the packaging and film from the bath and examine the bath for damage and suitability of colour match.
- Check the panel fit and match prior to installation.
- Any refixing costs or claims for wrong colour match, and/or any other fault will not be accepted after fixing.

No claims for the above will be accepted once the bath is fitted.



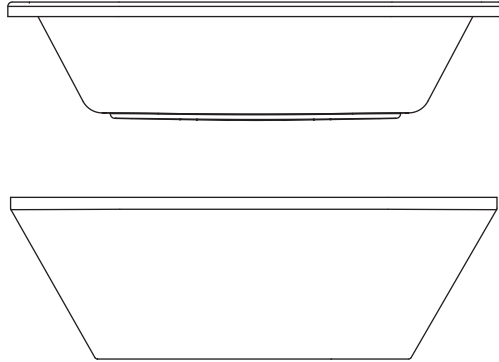
Please note, the bath shown is for illustration purposes only.

25
Year
Guarantee

Premier Bath Installation Instructions

Before you start

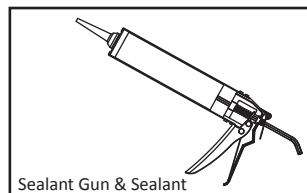
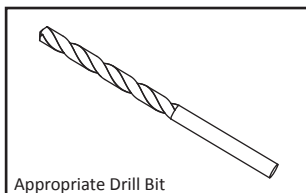
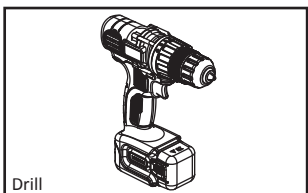
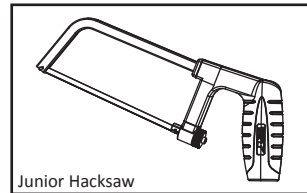
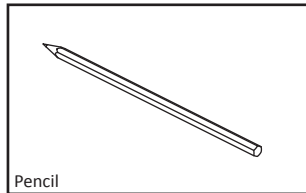
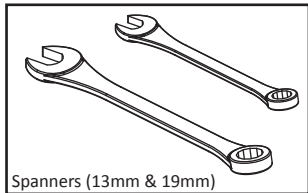
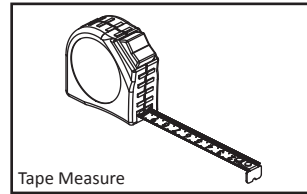
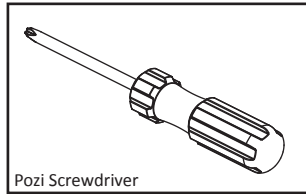
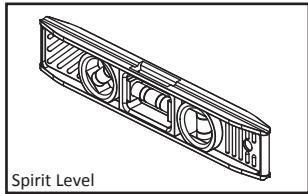
- Before fixing remove ALL protective covering and examine carefully. The polythene film must be removed in full and the bath checked for any visible damage.
- Unpack and check the product is complete and undamaged.
- Have the correct tools available.
- Please notify the retailer immediately of any damage or faults. The manufacturer cannot be held responsible for any installation costs that may arise from damaged or faulty product being installed. The guarantee does not cover impact related damage. Please dispose of all packaging with due regard to the environment.



Safety

- Handle the bath with care.
- This product is heavy and requires two persons to carry.
- When drilling walls, check first for hidden pipes and cables.
- Use safety eyewear when drilling.
- Keep small parts away from children.

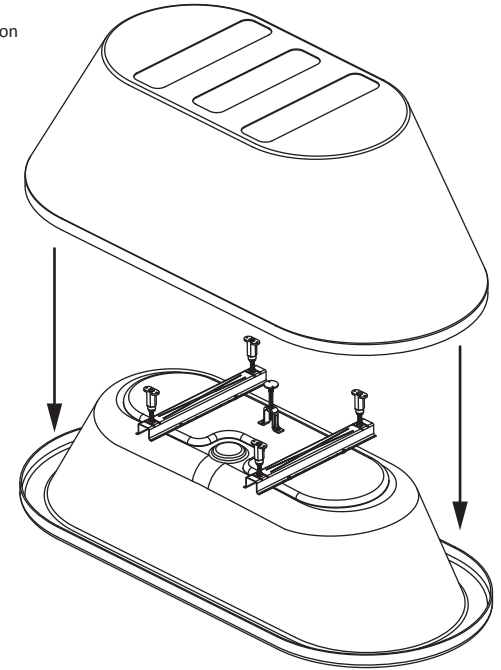
Tools required



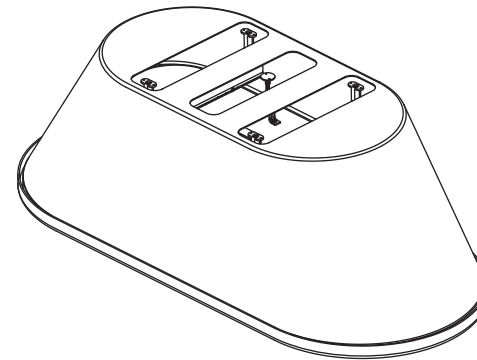
*Tools shown not supplied
*Ensure drill bit used is suitable for wall surface!

Setting of the bath height

- Place the skirted bath panel over the assembled components on the bath.

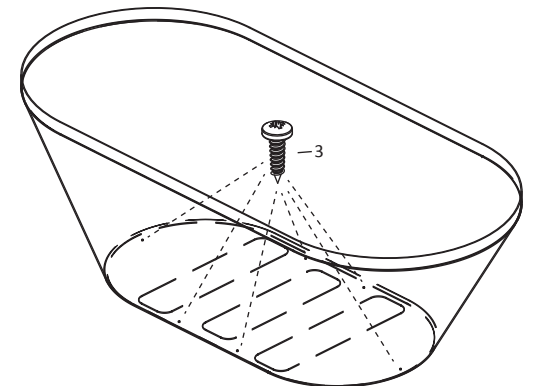


- Adjust the height of the bath feet so that they become level with the base of the skirted bath panel.
- Lock the feet into position.

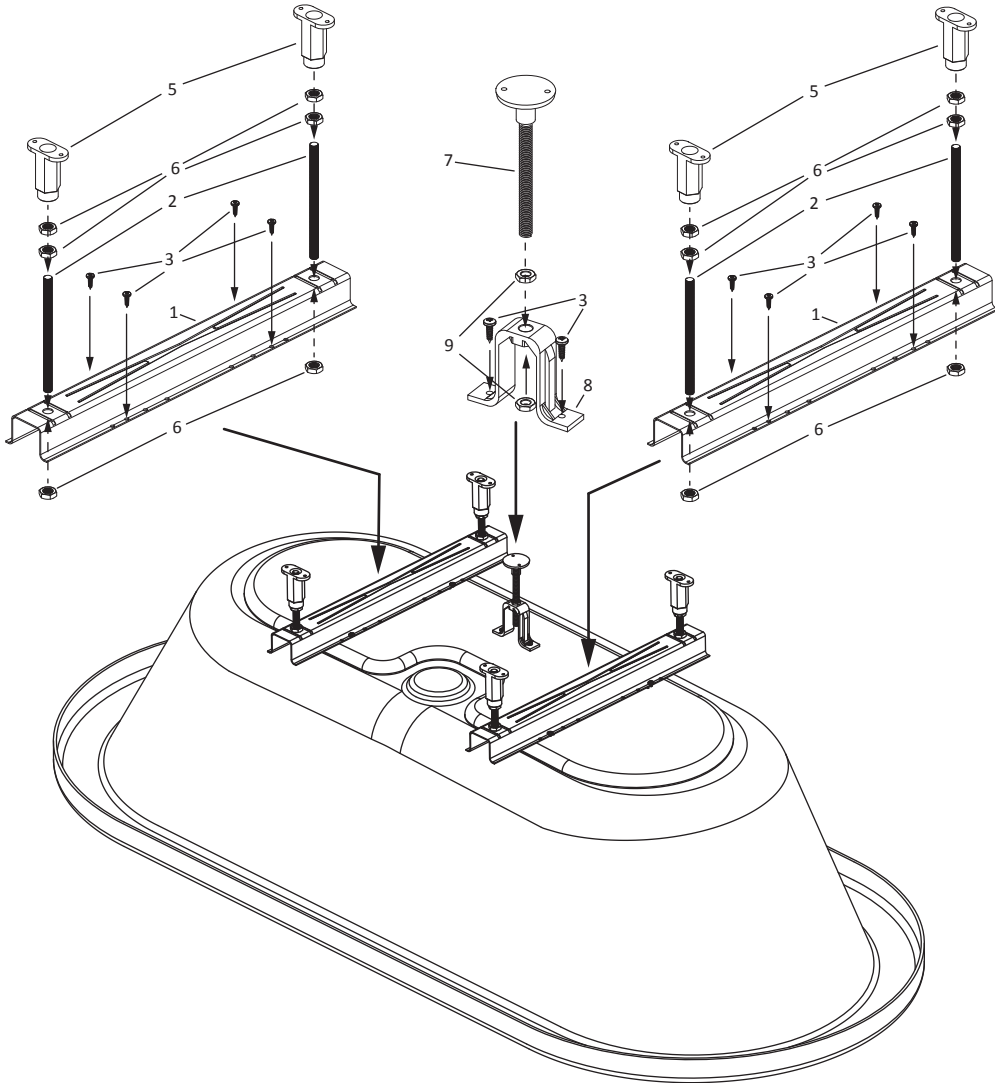


Secure the skirted bath panel to the floor

- Place the skirted bath panel into the desired finished position.
- Secure the skirted bath panel to the floor using 6 x 16mm self tapping screws (3)



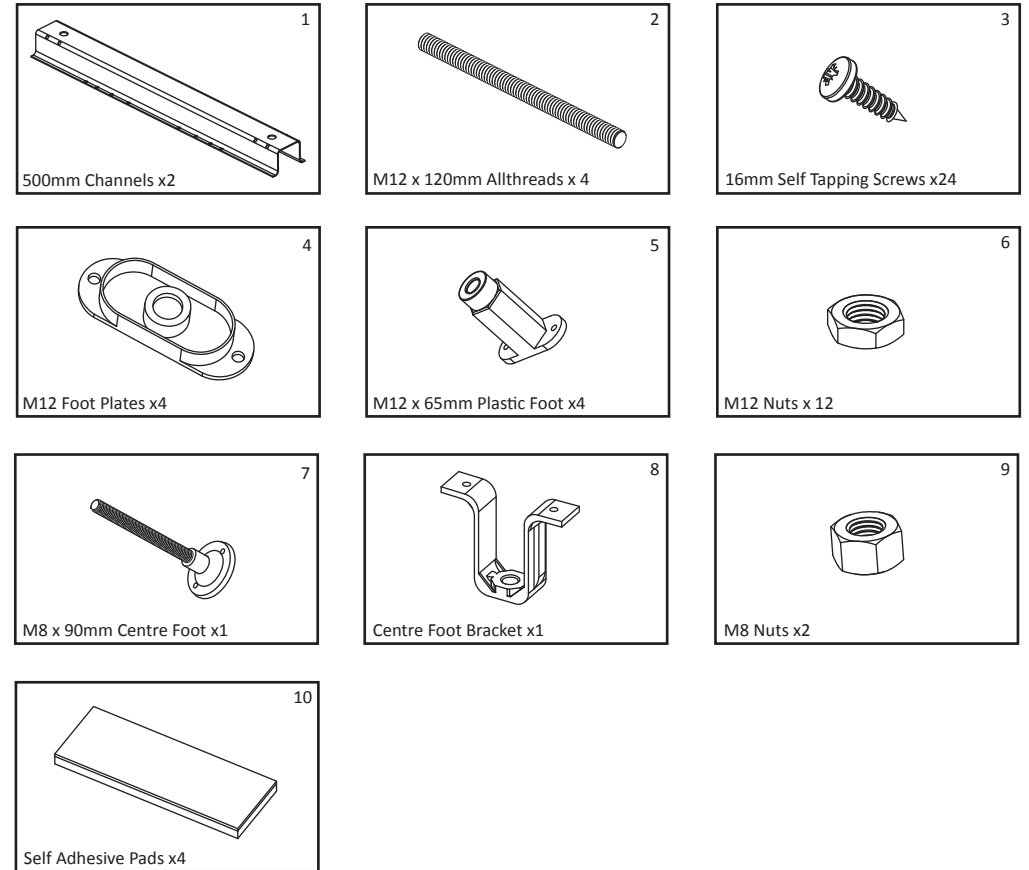
Screw positions shown are purely intended as a guide and are for illustrational purposes only.



Please Note:

- Baths should be set at supplied panel height.
- The baseboard is encapsulated into the bath.

Parts provided



- We have taken great care to ensure that this product reaches you in perfect condition. However should any parts be damaged or missing please contact your point of purchase. This does not affect your statutory rights. In addition if you require replacement parts your point of purchase will be happy to assist.