

Customer/technical services

For any technical or installation queries please contact Vado on 01934 745163.

Guarantee

This product is guaranteed against manufacturing defects from the date of purchase until the expiry of the relevant guarantee period shown below.

The guarantee is only valid if:-

1. The product has been installed, used and maintained in accordance with Vado's instructions and subjected to normal use only.
2. The defect is not due to use of an unsuitable or inadequate water or power supply.
3. The defect is not due to accident, misuse, neglect or repair other than by Vado or Vado authorised agents or damage caused by foreign objects or substances.
4. We have received from you the completed Guarantee Registration Form. Vado accepts no responsibility for any forms lost in the post and returns by registered means is therefore recommended.

Under this guarantee (which is non-transferable) Vado will, at its option, repair or replace free of charge any product (or replacement part) found to be defective. The guarantee does not extend to any consequential loss or damage. After repair or replacement the relevant guarantee period will be calculated from the original date of purchase.

The relevant guarantee periods are:-

1. Twelve years on chrome finish products.
2. Six years on Vado Identity products.
3. Three years on all other products with the exception of Stuart Turner Pumps which carry a 2 year Guarantee on Monsoon Range and 1 Year Guarantee on Showermate Range.

All claims under the guarantee must be submitted in writing to the person who supplied the product to you and must be received no later than the last day of the relevant guarantee period. All claims must be accompanied by proof of purchase (sales receipt or delivery note).

Vado operates a policy of continuous product development and therefore reserves the right to change the product, packaging and documentation specifications without notice.

This guarantee is in addition to and does not affect your statutory rights as a consumer.

Vado

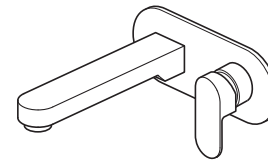
Wedmore Road, Cheddar, Somerset, England BS27 3EB
tel 01934 744466. fax 01934 744345
technical@vado-uk.com
www.vado-uk.com

GUARANTEE REGISTRATION

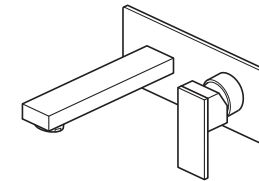
NAME				
ADDRESS				
	POSTCODE			
RETAILER				
ADDRESS				
	POSTCODE			
PURCHASE DATE	ARTICLE NUMBER	(SEE BOX)		
PRODUCT DESCRIPTION				
WHO INSTALLED THE PRODUCT?	RETAILER	PLUMBER	BUILDER	SELF
FOR VADO USE				



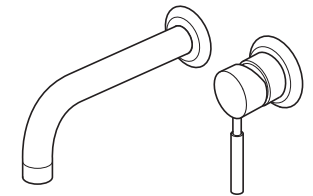
Installation & maintenance instructions



Life



Notion



Origins

Edit Ion Life Notion Origins Phase
Photon Soho Synergie Té Tef Zoo

Single lever wall mounted basin mixer

Please leave these instructions with the customer

Important - please read

Please read these instructions carefully before starting installation and keep for future reference.

Remove all packaging and check the product for missing parts or damage before starting installation.

Any alterations made to this product and fittings may infringe water regulations and will invalidate the guarantee.

The installation must comply with all Local/National Water Supply Authority Regulations/Byelaws and Building and Plumbing Regulations.

We strongly recommend that you use a qualified and registered plumber.

General installation

These fittings are mixing devices and therefore water supplies must be reasonably balanced.

Where connections are made to the mains cold water supply, single check valves must be fitted to both hot and cold inlets. This is a stated requirement of Water Supply (Water Fittings) Regulations 1999 Schedule 2, Section 15.

Before making any inlet pipe connections, all supply pipes **MUST** be thoroughly flushed to remove debris. Failure to do so could result in damage or low flow from the mixer unit. Water Supply (Water Fittings) Regulations 1999 Schedule 2 Section 13.

The fitting of isolating valves to the inlet feeds is advised for ease of maintenance.

Please take great care when installing this mixer not to damage its surface.

Please note if installing in an enclosed environment, access should be left for servicing and maintenance. No costs relating to inadequate access can be accepted.

Operating Specifications

Operating Pressure

All models except Edit - Minimum operating pressure 0.5 bar (1.5 bar if used as a bath fill).

Edit - Minimum operating pressure 1.0 bar (1.5 bar if used as a bath fill).

Maximum operating pressure 5 bar

Care of the mixer

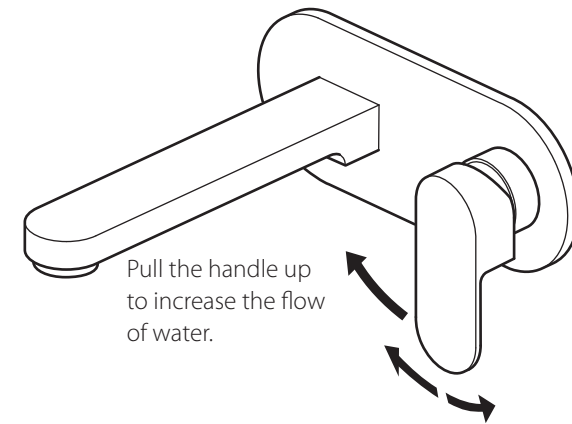
Our products are finished to the highest standard and due care needs to be taken to ensure their looks are retained.

We recommend cleaning all products with a soft damp cloth **ONLY** and advise strongly against the use of ALL cleaning products i.e. powders and liquids.

If the above instructions are not followed this will invalidate your guarantee in the event of a problem occurring.

Operation

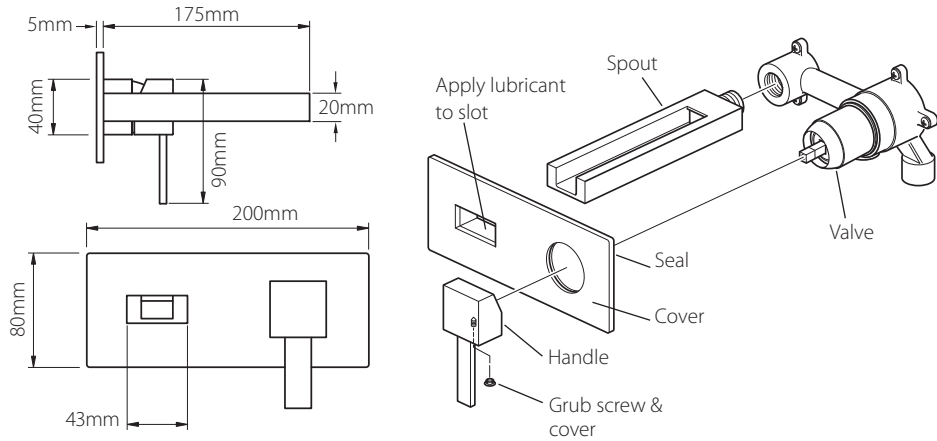
Note: For illustrative purposes only the Life version is shown. The same operation applies to all the other shower valves.



Pull the handle up to increase the flow of water.

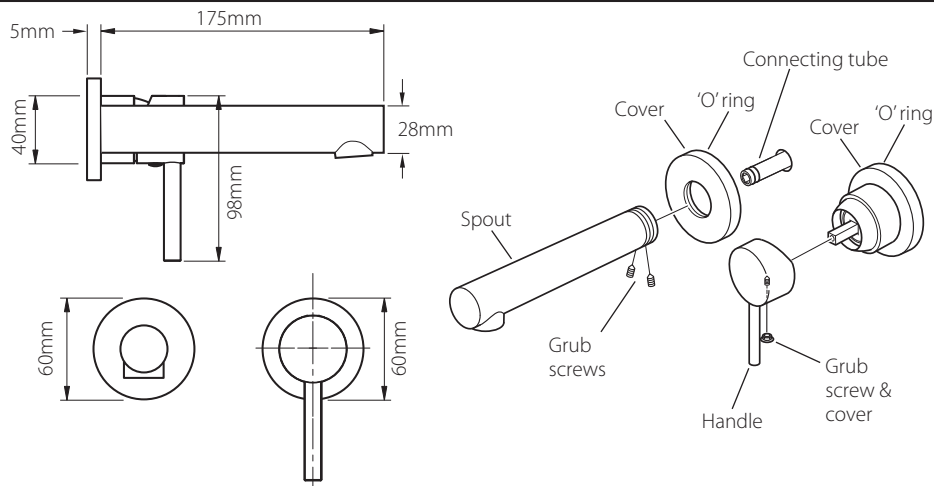
Turn the handle clockwise to increase the temperature and anti-clockwise to decrease the temperature.

Tef installation



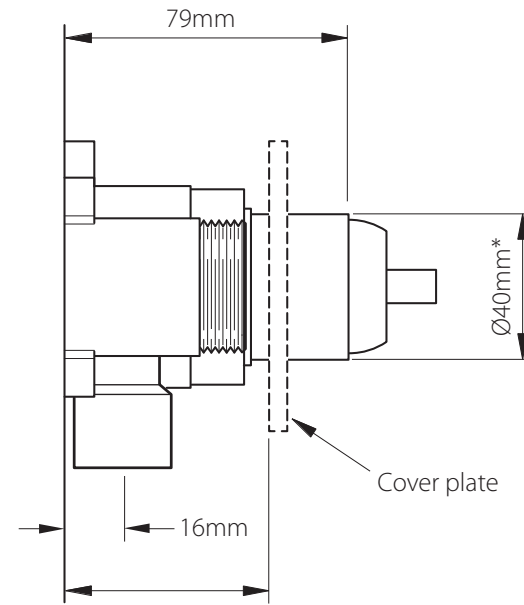
Using sufficient ptfе tape to hold the spout securely and prevent leaks, screw the spout into the valve body and adjust the spout to the correct position for when the cover is slid on. Remove the backing paper from the seal on the back of the cover. Apply the supplied lubricant to the slot in the cover. Slide the cover over the valve, push onto the wall until it makes contact. Carefully slide the control handle onto the valve and secure in position with the grub screw within the handle using the hexagonal key supplied, replace the screw cover. Apply a small bead of silicone around the plate to seal against the tile.

Zoo installation



Slide the cover over the valve, push onto the wall until it makes contact. Carefully slide the control handle onto the valve and secure in position with the grub screw within the handle using the hexagonal key supplied, replace the screw cover. Screw the spout into the cover. Push the spout over the connecting tube, secure using the grub screws on the underside. Apply a small bead of silicone around the plate to seal against the tile.

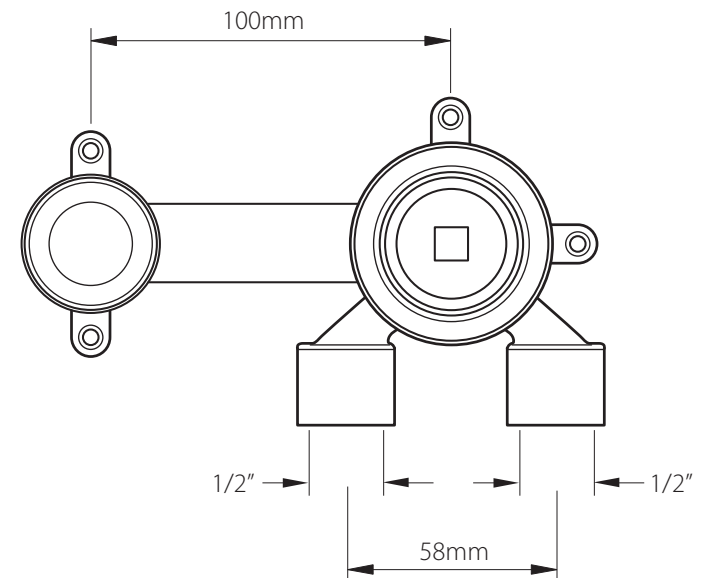
Dimensions - valve



Depth tolerance.
See table on the right

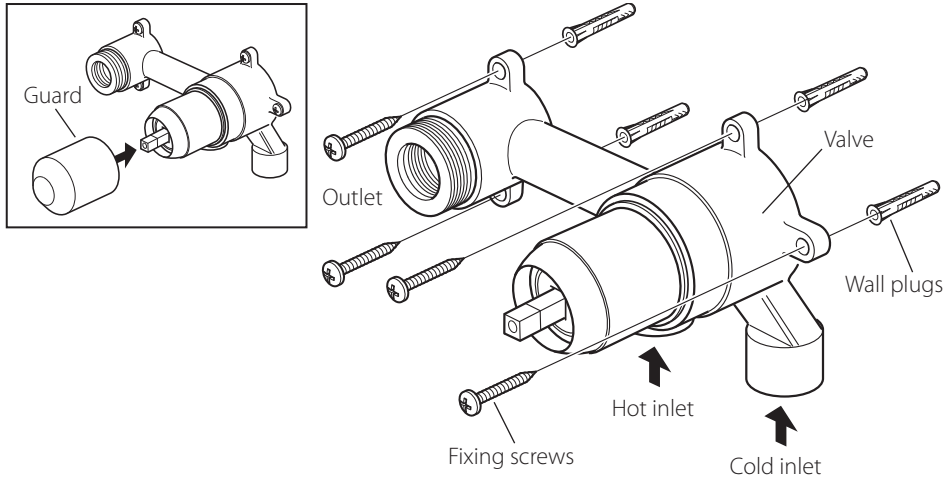
Depth tolerance.

Model	Depth
EDI-109S/A-C/P	52-72mm
ION-109S/A-C/P	53-73mm
LIF-109S/A-C/P	53-73mm
NOT-109S/A-C/P	53-73mm
ORI-109S/A-C/P	53-70mm
PHA-109S/A-C/P	53-73mm
PHO-109S/A-C/P	53-73mm
SOH-109S/A-C/P	53-72mm
SYN-109S/A-C/P	53-73mm
TE-109S/A-C/P	53-73mm
TEF-109S/A-C/P	53-73mm
ZOO-109S/A-C/P	53-72mm



* This dimension changes to 50mm for the Soho only.

Installation - valve



Before installing your new mixer, flush through the pipe work to ensure removal of debris, turn off the water supply.

Warning! Please check for any hidden cables and pipes before drilling holes in the wall. During and after installation protect the outer parts by leaving the guard on to avoid any damage to the valve.

The valve must be set into the wall (see dimension page).

Mark a horizontal line on the wall at the required height, mark the position of the valve and the spout with centres of 100mm, drill a 20mm hole for the spout and a 50mm hole for the valve. Mark the position of the valve and drill 4 holes to take suitable wall plugs and screws and fix in position.

Make all connections to the valve. Connect hot supply to bottom left inlet of the valve and cold supply to the bottom right inlet.

Installation - connecting tube

Edit, Notion, Origins, Soho, Te and Zoo.

Using PTFE tape screw the supplied connecting tube into the valve and tighten.

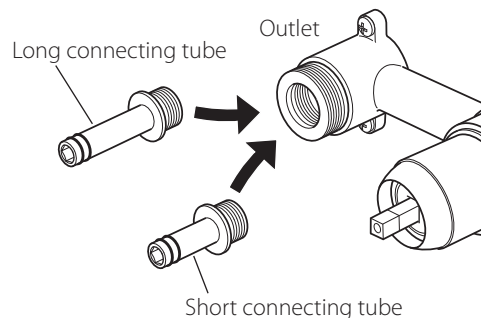
Ion, Life, Phase, Photon and Synergie.

These models are supplied with a choice of 2 connecting tubes to give the depth tolerance required for installation.

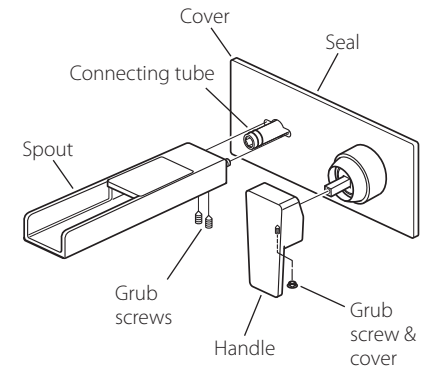
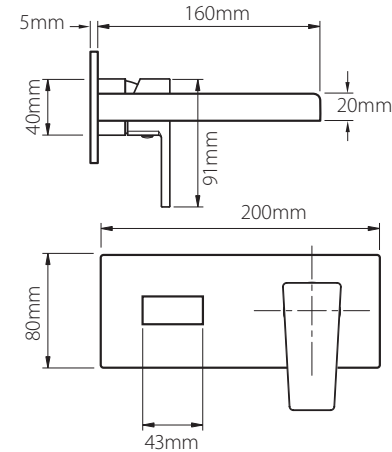
53mm-63mm for the short connecting tube.

63mm-73mm for the long connecting tube.

Using PTFE tape screw the chosen connecting tube into the valve and tighten.



Synergie installation

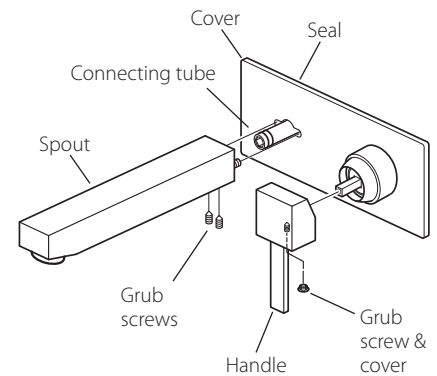
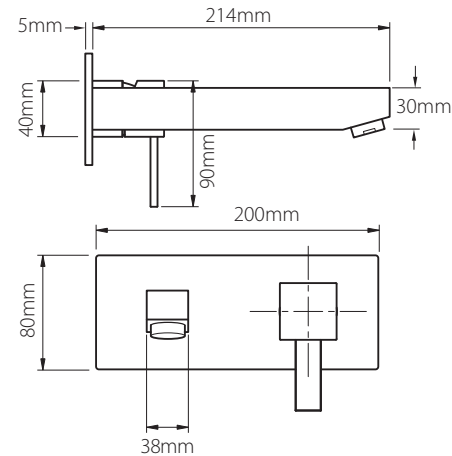


Remove the backing paper from the seal on the back of the cover. Slide the cover over the valve, push onto the wall until it makes contact.

Carefully slide the control handle onto the valve and secure in position with the grub screw within the handle using the hexagonal key supplied, replace the screw cover.

Push the spout over the connecting tube, secure using the grub screws on the underside. Apply a small bead of silicone around the plate to seal against the tile.

Te installation

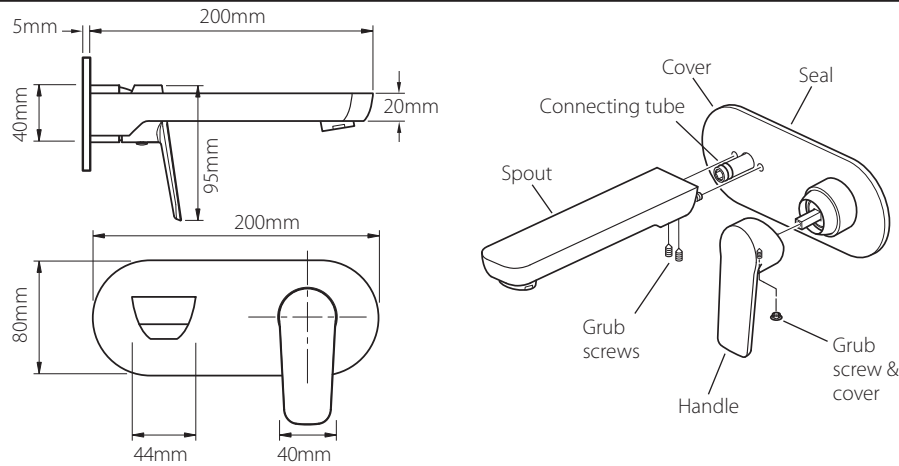


Remove the backing paper from the seal on the back of the cover. Slide the cover over the valve, push onto the wall until it makes contact.

Carefully slide the control handle onto the valve and secure in position with the grub screw within the handle using the hexagonal key supplied, replace the screw cover.

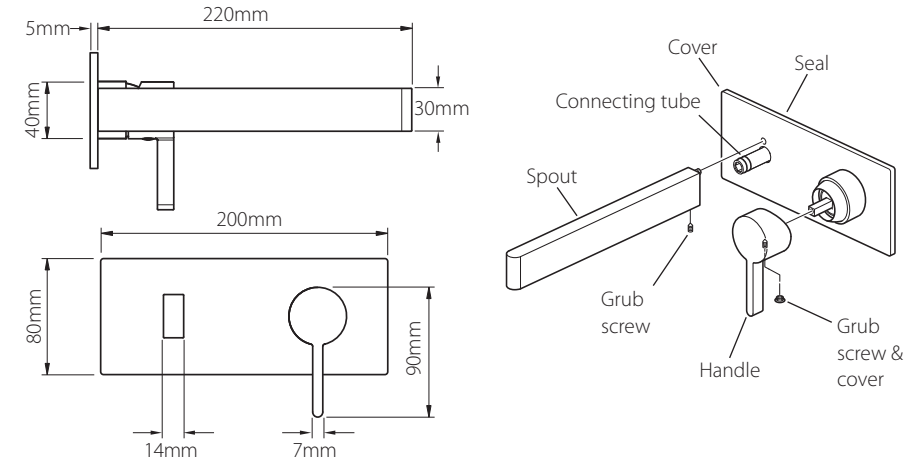
Push the spout over the connecting tube, secure using the grub screws on the underside. Apply a small bead of silicone around the plate to seal against the tile.

Photon installation



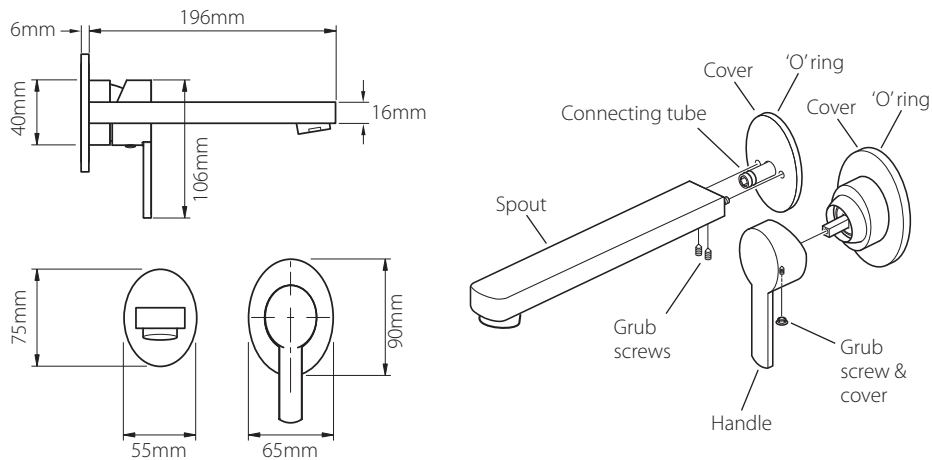
Remove the backing paper from the seal on the back of the cover. Slide the cover over the valve, push onto the wall until it makes contact.
Carefully slide the control handle onto the valve and secure in position with the grub screw within the handle using the hexagonal key supplied, replace the screw cover.
Push the spout over the connecting tube, secure using the grub screws on the underside.
Apply a small bead of silicone around the plate to seal against the tile.

Edit installation



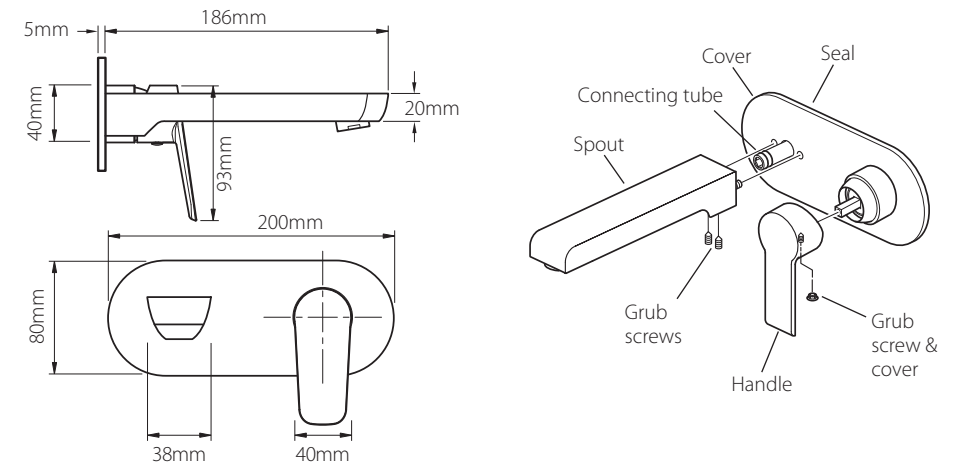
Remove the backing paper from the seal on the back of the cover. Slide the cover over the valve, push onto the wall until it makes contact.
Carefully slide the control handle onto the valve and secure in position with the grub screw within the handle using the hexagonal key supplied, replace the screw cover.
Push the spout over the connecting tube, secure using the grub screw on the underside.
Apply a small bead of silicone around the plate to seal against the tile.

Soho installation



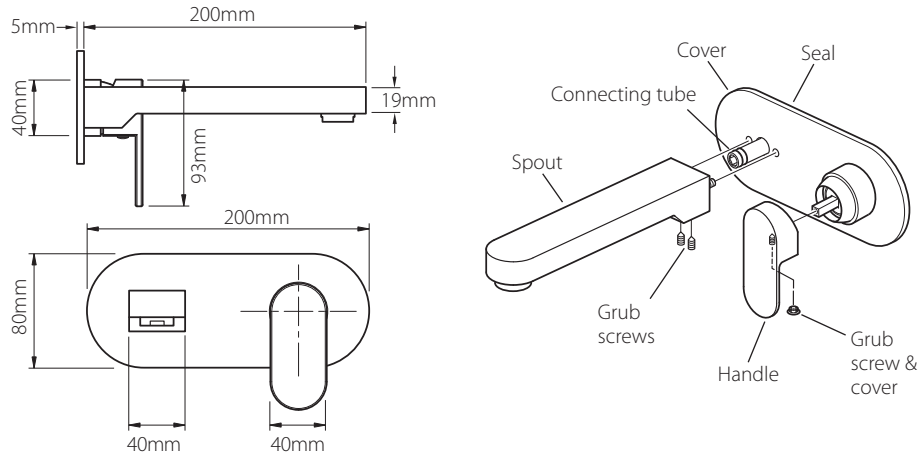
Slide the cover over the valve, push onto the wall until it makes contact.
Carefully slide the control handle onto the valve and secure in position with the grub screw within the handle using the hexagonal key supplied, replace the screw cover.
Slide the cover over the connecting tube, Push the spout over the connecting tube, secure using the grub screws on the underside.
Apply a small bead of silicone around the plate to seal against the tile.

Ion installation



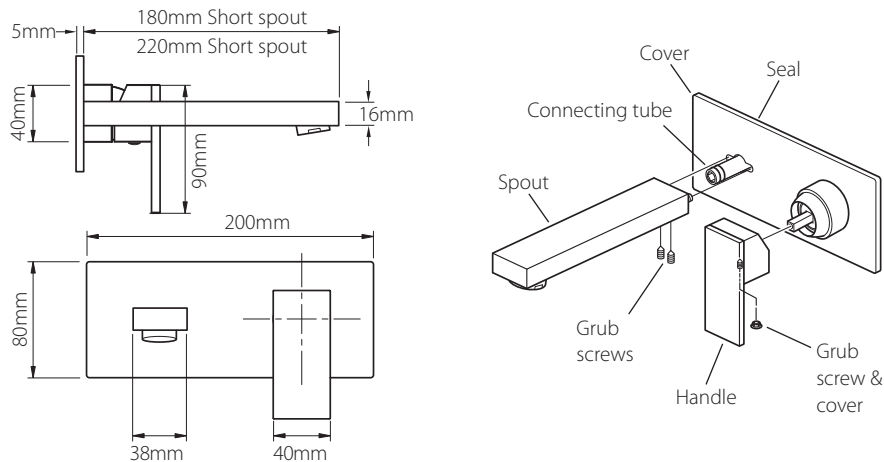
Remove the backing paper from the seal on the back of the cover. Slide the cover over the valve, push onto the wall until it makes contact.
Carefully slide the control handle onto the valve and secure in position with the grub screw within the handle using the hexagonal key supplied, replace the screw cover.
Push the spout over the connecting tube, secure using the grub screws on the underside.
Apply a small bead of silicone around the plate to seal against the tile.

Life installation



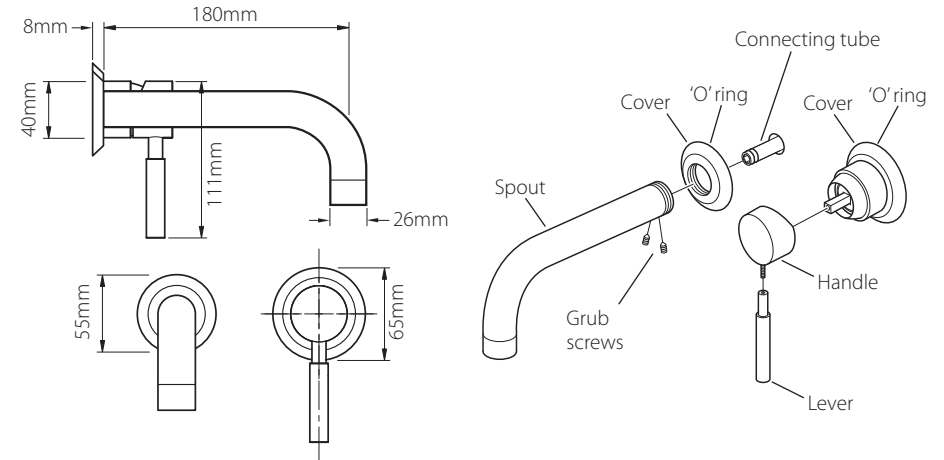
Remove the backing paper from the seal on the back of the cover. Slide the cover over the valve, push onto the wall until it makes contact.
 Carefully slide the control handle onto the valve and secure in position with the grub screw within the handle using the hexagonal key supplied, replace the screw cover.
 Push the spout over the connecting tube, secure using the grub screws on the underside.
 Apply a small bead of silicone around the plate to seal against the tile.

Notion installation



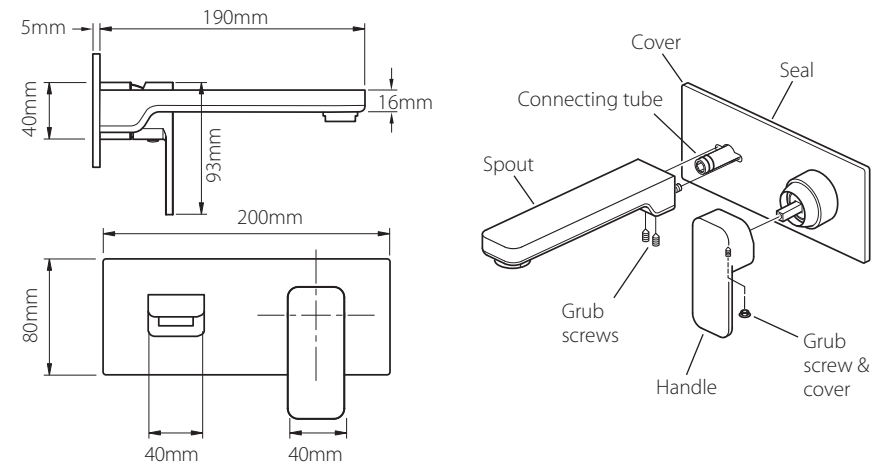
Remove the backing paper from the seal on the back of the cover. Slide the cover over the valve, push onto the wall until it makes contact.
 Carefully slide the control handle onto the valve and secure in position with the grub screw within the handle using the hexagonal key supplied, replace the screw cover.
 Push the spout over the connecting tube, secure using the grub screws on the underside.
 Apply a small bead of silicone around the plate to seal against the tile.

Origins installation



Slide the cover over the valve, push onto the wall until it makes contact.
 Carefully slide the control handle onto the valve and secure in position with the grub screw under the handle using the hexagonal key supplied, screw the lever onto the handle.
 Screw the spout into the cover. Push the spout over the connecting tube, secure using the grub screws on the underside.
 Apply a small bead of silicone around the plate to seal against the tile.

Phase installation



Remove the backing paper from the seal on the back of the cover. Slide the cover over the valve, push onto the wall until it makes contact.
 Carefully slide the control handle onto the valve and secure in position with the grub screw within the handle using the hexagonal key supplied, replace the screw cover.
 Push the spout over the connecting tube, secure using the grub screws on the underside.
 Apply a small bead of silicone around the plate to seal against the tile.