

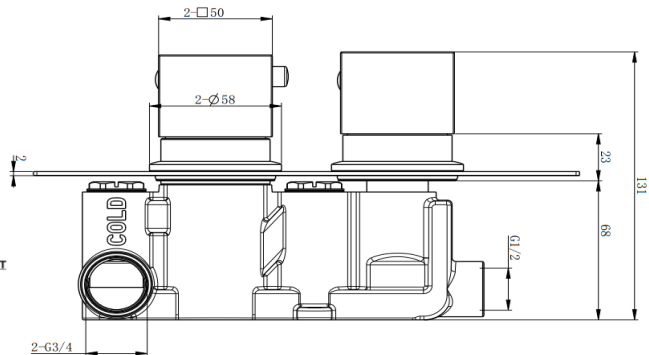
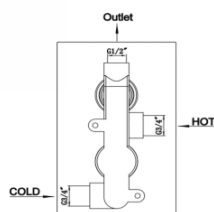
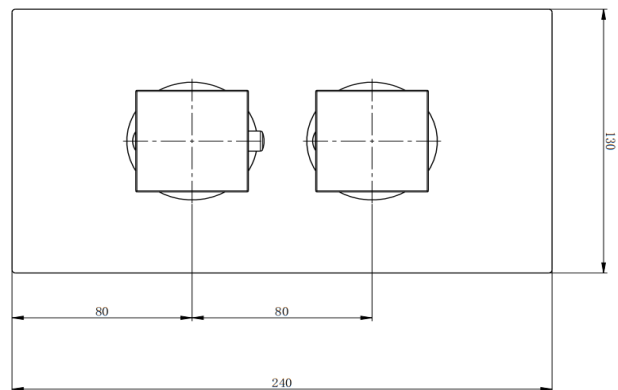
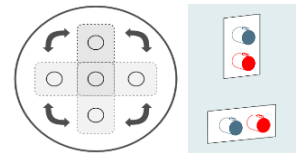
# Important – Please Read

## CVQ02 Single Outlet Concealed Thermostatic Mixer Valve

<b>Barcode</b>	7427042696504
<b>Product Code</b>	CVQ02
<b>Construction</b>	Brass Body (CC757S) equivalent to EN CuZn39Pb2Al-C; SS201 Stainless steel Face plate; Zinc-alloy Handles
<b>Finishes</b>	Chrome plated to BS EN 248
<b>Product Type</b>	Contemporary
<b>Water Pressure</b>	Min. 0.2 bar (handset) 0.5 bar (shower head), Max. 6.0 bar
<b>Plumbing Systems</b>	Suitable for all plumbing systems, Hot and Cold water pressure preferably balanced Max. supply pressure differential requirement no greater than 5:1
<b>Standards</b>	Complies with BSEN 1111
<b>Certification</b>	Pending WRAS approval and certification
<b>Cartridge</b>	Thermostatic cartridge & Ceramic disc valve
<b>Check valve</b>	DN20 check valve
<b>Fitting</b>	Inlet: Two Brass G3/4" BSP Female thread (Hot and Cold) Outlet: One Brass G1/2" BSP Female thread
<b>Packaging</b>	39 x 29 x 33cm / carton (4 boxes), Dimension: 37.5 x 13.5 x 15.5cm / box; Weight: 2.50Kg / box
<b>Guarantee</b>	10 years against manufacturing faults (excluding serviceable parts)
<b>Additional Information</b>	1. Temperature: Pre-set 38°C, with push button override to 48°C 2. Automatic shut off in the event of hot or cold water supply failure 3. Easy accessible check valve



Interchange design for horizontal & vertical installation

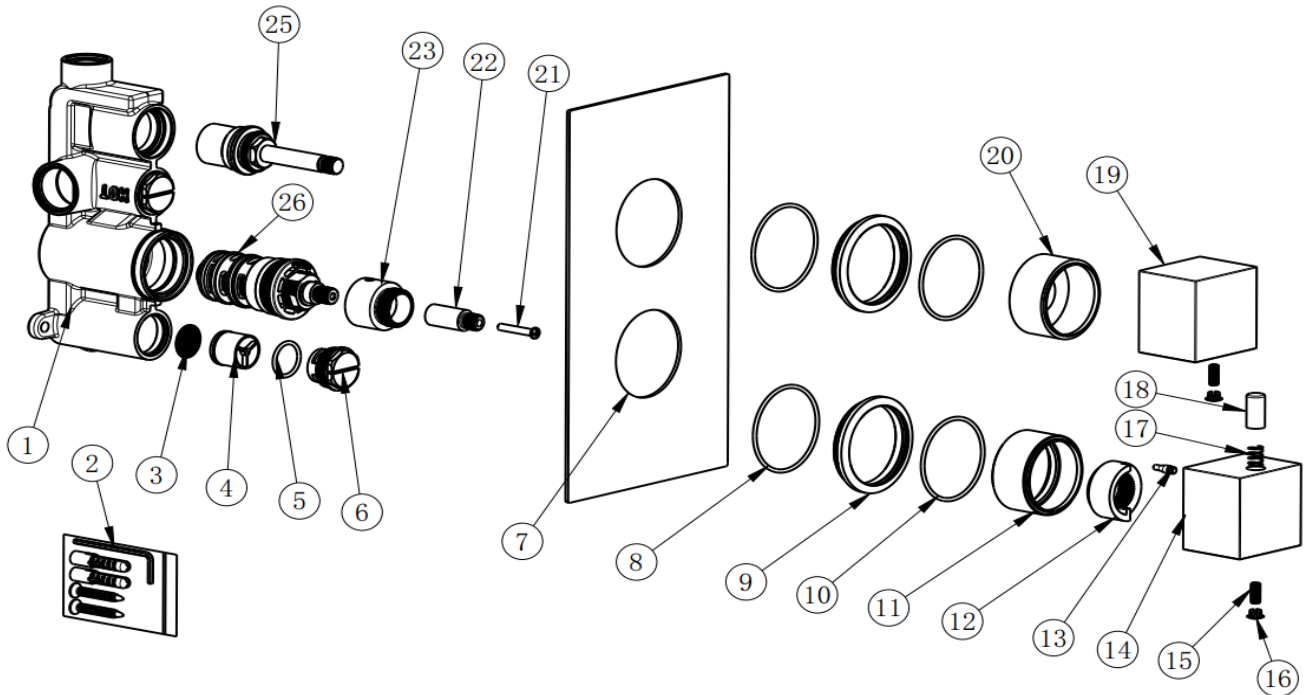


### Flow Rates (Litres per minute)

System Pressure	0.1 Bar	0.2 Bar	0.3 Bar	0.5 Bar	1.0 Bar	1.5 Bar	2.0 Bar	3.0 Bar	4.0 Bar	5.0 Bar
<b>CVQ02</b>	5.8	7.4	8.7	11.1	15.5	18.9	21.8	26.5	30.5	33.8

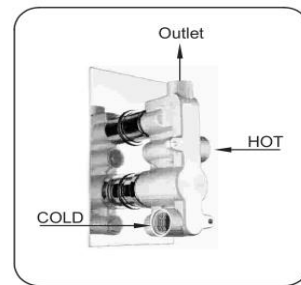
The information contained on this page was correct at date of issue. Fitting dimensions are provided as a guide only. Some variation may occur due to manufacturing tolerances. We pursue a policy of continuing improvement in design and performance of our products and so reserve the right to change specifications without prior notice.

## Important – Please Read



# CVQ02

NO.	PART DESCRIPTION	QTY
1	BRASS VALVE BODY	1
2	ST5*35 FIXING KIT BAG	1
3	FILTER WASHER	2
4	DN20 CHECK VALVE	2
5	Ø18*2 NBR O-RING	2
6	CHECK VALVE NUT	2
7	240*130*2 SS201 S/STEEL FACE PLATE	1
8	Ø48*2 NBR O-RING	2
9	Ø60*9.2 ZINC-ALLOY FACE PLATE RING	2
10	Ø40.6*2.2 NBR O-RING	2
11	THERMO HANDLE COLLAR	1
12	Ø34*18 POM THERMO STOP RING	1
13	Ø4.5*14 SS304 PUSH BUTTON PIN	1
14	50*50*40 ZINC-ALLOY THERMO HANDLE	1
15	HANDLE GRUB SCREW	2
16	Ø7.7*6 ABS COVER CAP	2
17	Ø8*0.5*11 SS304 PUSH BUTTON SPRING	1
18	Ø9.8*20.5 BRASS SAFETY PUSH BUTTON	1
19	50*50*40 ZINC-ALLOY ON/OFF HANDLE	1
20	ON/OFF HANDLE COLLAR	1
21	M4*25 SS304 CROSS HEAD SCREW	1
22	Ø12.6*33 BRASS CONNECTOR	1
23	Ø29*26.7 BRASS CARTRIDGE COVER	1
25	29*G3/4 ON/OFF CERAMIC DISC VALVE	1
26	PPA THERMOSTATIC CARTRIDGE	1



### Installation

Prepare pipes in wall to connect to shower, with cold on the right.

Ensure these pipes are flushed before connecting the mixer.

A 1/2" male fitting will be required (not supplied) to connect the outlet pipe to the mixer.

Two 3/4" male fittings will be required (not supplied) to connect the supply pipes to the mixer.

