

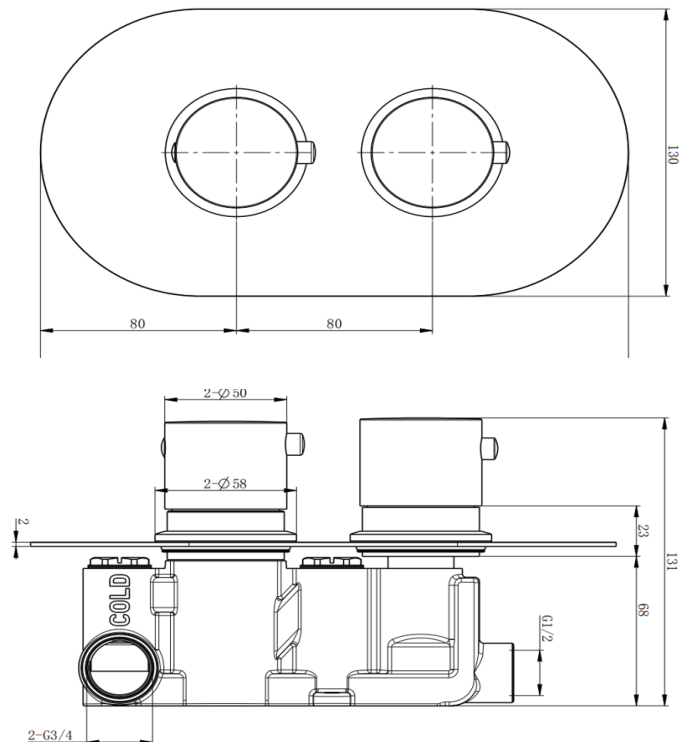
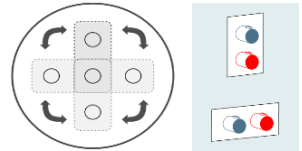
# Important – Please Read

## CVQ01 Single outlet concealed thermostatic mixer valve

|                               |   |
|-------------------------------|---|
| <b>Barcode</b>                | 7427042696498   |
| <b>Product Code</b>           | CVQ01   |
| <b>Construction</b>           | Brass Body (CC757S) equivalent to EN CuZn39Pb2Al-C;<br>SS201 Stainless steel Face plate; Zinc-alloy Handles   |
| <b>Finishes</b>               | Chrome plated to BS EN 248  |
| <b>Product Type</b>           | Contemporary  |
| <b>Water Pressure</b>         | Min. 0.2 bar (handset) 0.5 bar (shower head), Max. 6.0 bar  |
| <b>Plumbing Systems</b>       | Suitable for all plumbing systems, Hot and Cold water pressure preferably balanced<br>Max. supply pressure differential requirement no greater than 5:1                     |
| <b>Standards</b>              | Complies with BSEN 1111   |
| <b>Certification</b>          | Pending WRAS approval and certification   |
| <b>Cartridge</b>              | Thermostatic cartridge & Ceramic disc valve   |
| <b>Check valve</b>            | DN20 check valve  |
| <b>Fitting</b>                | Inlet: Two Brass G3/4" BSP Female thread (Hot and Cold)<br>Outlet: One Brass G1/2" BSP Female thread  |
| <b>Packaging</b>              | 39 x 29 x 33cm / carton (4 boxes), Dimension: 37.5 x 13.5 x 15.5cm / box;<br>Weight: 2.38Kg / box   |
| <b>Guarantee</b>              | 10 years against manufacturing faults (excluding serviceable parts)   |
| <b>Additional Information</b> | 1. Temperature: Pre-set 38°C, with push button override to 48°C<br>2. Automatic shut off in the event of hot or cold water supply failure<br>3. Easy accessible check valve |



Interchange design for horizontal & vertical installation

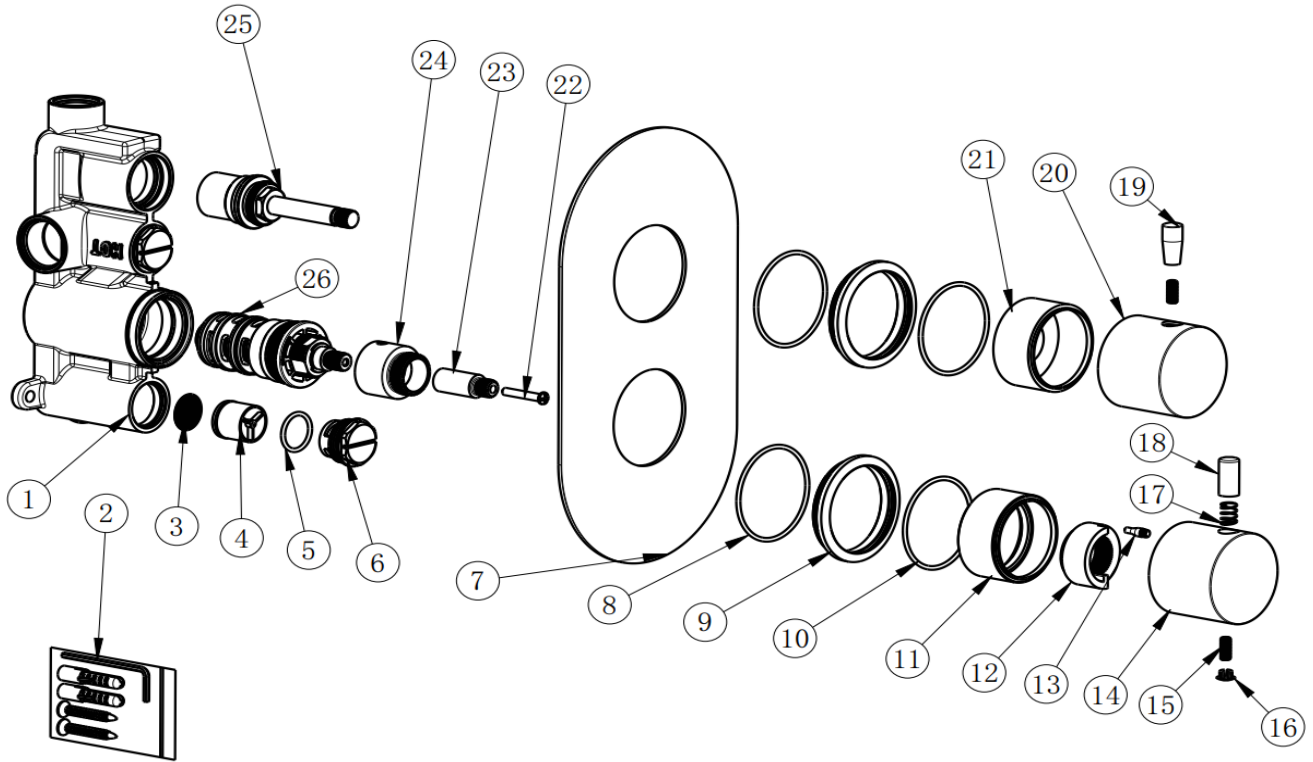


### Flow Rates (Litres per minute)

| System Pressure | 0.1 Bar | 0.2 Bar | 0.3 Bar | 0.5 Bar | 1.0 Bar | 1.5 Bar | 2.0 Bar | 3.0 Bar | 4.0 Bar | 5.0 Bar |
|-----------------|---------|---------|---------|---------|---------|---------|---------|---------|---------|---------|
| <b>CVQ01</b>    | 5.8     | 7.4     | 8.7     | 11.1    | 15.5    | 18.9    | 21.8    | 26.5    | 30.5    | 33.8    |

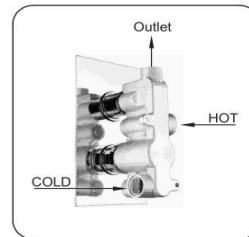
The information contained on this page was correct at date of issue. Fitting dimensions are provided as a guide only. Some variation may occur due to manufacturing tolerances. We pursue a policy of continuing improvement in design and performance of our products and so reserve the right to change specifications without prior notice.

## Important – Please Read



# CVQ01

| NO. | PART DESCRIPTION                   | QTY |
|-----|------------------------------------|-----|
| 1   | BRASS VALVE BODY                   | 1   |
| 2   | ST5*35 FIXING KIT BAG              | 1   |
| 3   | FILTER WASHER                      | 2   |
| 4   | DN20 CHECK VALVE                   | 2   |
| 5   | Ø18*2 NBR O-RING                   | 2   |
| 6   | CHECK VALVE NUT                    | 2   |
| 7   | 240*130*2 SS201 OVAL FACE PLATE    | 1   |
| 8   | Ø48*2 NBR O-RING                   | 2   |
| 9   | Ø60*9.2 ZINC-ALLOY FACE PLATE RING | 2   |
| 10  | Ø40.6*2.2 NBR O-RING               | 2   |
| 11  | THERMO HANDLE COLLAR               | 1   |
| 12  | Ø34*18 POM THERMO STOP RING        | 1   |
| 13  | Ø4.5*14 SS304 PUSH BUTTON PIN      | 1   |
| 14  | ZINC-ALLOY THERMO HANDLE           | 1   |
| 15  | HANDLE GRUB SCREW                  | 2   |
| 16  | Ø7.7*6 ABS COVER CAP               | 1   |
| 17  | Ø8*0.5*11 SS304 PUSH BUTTON SPRING | 1   |
| 18  | Ø9.8*20.5 BRASS SAFETY PUSH BUTTON | 1   |
| 19  | Ø9.8*22.5 BRASS HANDLE BUTTON      | 1   |
| 20  | Ø50*40 ZINC-ALLOY ON/OFF HANDLE    | 1   |
| 21  | ON/OFF HANDLE COLLAR               | 1   |
| 22  | M4*25 SS304 CROSS HEAD SCREW       | 1   |
| 23  | Ø12.6*33 BRASS CONNECTOR           | 1   |
| 24  | Ø29*26.7 BRASS CARTRIDGE COVER     | 1   |
| 25  | 29*G3/4 ON/OFF CERAMIC DISC VALVE  | 1   |
| 26  | PPA THERMOSTATIC CARTRIDGE         | 1   |



### Installation

Prepare pipes in wall to connect to shower, with cold on the right.

Ensure these pipes are flushed before connecting the mixer.

A 1/2" male fitting will be required (not supplied) to connect the outlet pipe to the mixer.

Two 3/4" male fittings will be required (not supplied) to connect the supply pipes to the mixer.

